

# AVANT<sup>®</sup> 523

**Varaosakirja**  
**Parts Manual**  
**Dellista**  
**Ersatzteilliste**



Serial numbers: < - XXXXXX2333

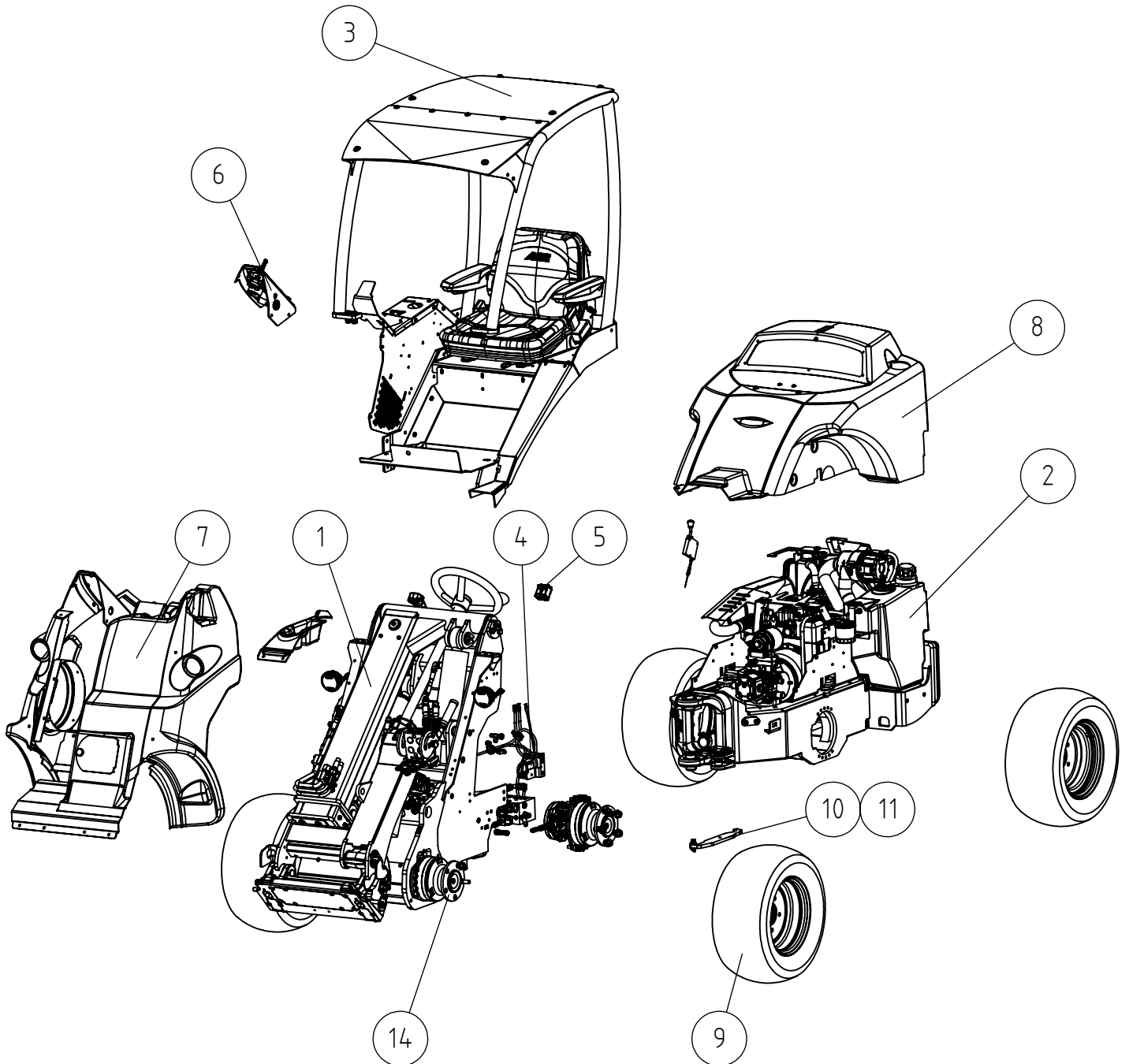
# Table Of Contents

<b>A21741</b>	<b>AVANT 523</b>	<b>4</b>
<b>A424160</b>	<b>FRONT FRAME, 500 OPTIDRIVE, ASSEMBLY</b>	<b>6</b>
<b>A21552</b>	<b>TELESCOPIC BOOM, COMPLETE ASSEMBLY</b>	<b>8</b>
<b>A436620</b>	<b>INNER BOOM, ASSEMBLY</b>	<b>10</b>
<b>A436687</b>	<b>LINKAGE PIECE "BOOMERANG" CAST STEEL</b>	<b>12</b>
<b>A436576</b>	<b>ATTACHMENT COUPLING PLATE CAST STEEL</b>	<b>14</b>
<b>A436614</b>	<b>LOCKING PIN ASSEMBLY ATTACHM COUPL PLATE</b>	<b>16</b>
<b>65252</b>	<b>MULTI CONNECTOR, ON LOADER</b>	<b>18</b>
<b>A48998</b>	<b>STEERING COLUMN</b>	<b>20</b>
<b>A449399</b>	<b>HYDR. HOSES ORBITROL</b>	<b>22</b>
<b>A49058</b>	<b>DRIVE PEDAL, COMPLETE ASSEMBLY</b>	<b>24</b>
<b>A422190</b>	<b>HYDR. HOSES DRIVE PEDAL 700 SERIES</b>	<b>26</b>
<b>A413893</b>	<b>HYDRAULIC OIL COOLER, COMPLETE ASSEMBLY</b>	<b>28</b>
<b>A34281</b>	<b>CONTROL VALVE COMPLETE 420 HDS11/4</b>	<b>30</b>
<b>A21742</b>	<b>REAR CHASSIS 523, ASSEMBLY</b>	<b>32</b>
<b>A21740</b>	<b>REAR FRAME</b>	<b>34</b>
<b>A37449</b>	<b>ARTICULATION JOINT ASSEMBL REAR FRAME</b>	<b>36</b>
<b>A422702</b>	<b>RADIATOR 423/523, D902, ASSEMBLY</b>	<b>38</b>
<b>A48669</b>	<b>FUEL TANK 20 L, COMPLETE</b>	<b>40</b>
<b>A37475</b>	<b>MOUNTING BRACKETS, COVER PLATES REAR CHA</b>	<b>42</b>
<b>A37338</b>	<b>ENGINE D902 ASSEMBLY</b>	<b>44</b>
<b>66511</b>	<b>DIESEL ENGINE KUBOTA D902 WITHOUT</b>	<b>46</b>
<b>A422594</b>	<b>FLYWHEEL HOUSING D902</b>	<b>48</b>
<b>A37374</b>	<b>EXHAUST MUFFLER ASSEMBLY D902 423/523</b>	<b>50</b>
<b>A36909</b>	<b>REAR WEIGHT (BUMPER) 160 KG, ASSEMBLY</b>	<b>52</b>
<b>A427064</b>	<b>HYDRAULIC MANIFOLD, COMPLETE KIT 500 OPT</b>	<b>54</b>
<b>A431698</b>	<b>HYDRAULIC PUMPS ASSEMBLY 523 OPTIDRIVE</b>	<b>56</b>
<b>A21713</b>	<b>ROPS/FOPS FRAME COMPLETE</b>	<b>58</b>
<b>A440098</b>	<b>INSTRUMENT PANEL WITH DECAL 500 SERIES</b>	<b>60</b>
<b>A48906</b>	<b>ROPS FRAME WITH FOPS CANOPY, 500 SERIES</b>	<b>62</b>
<b>A426254</b>	<b>ELECTRIC COMPONENTS 523</b>	<b>64</b>
<b>A423593</b>	<b>DASHBOARD ASSEMBLY</b>	<b>66</b>
<b>A35734</b>	<b>COVER PLATES, FRONT, KIT, 500/600</b>	<b>68</b>
		<small>*ROPS, ABS</small>
<b>A35953</b>	<b>COVER PLATES HD, KIT,FRONT FRAME 500-600</b>	<b>70</b>
		<small>*ROPS, PC/HD, optional extra</small>
<b>A37489</b>	<b>COVER PLATES REAR CHASSIS 420-523, KIT</b>	<b>72</b>
		<small>*ABS</small>
<b>A426056</b>	<b>COVER PLATES POLYCARB REAR CHASSIS</b>	<b>74</b>
		<small>*PC/HD, optional extra</small>
<b>A428313</b>	<b>DECAL KIT 400-800 SERIES</b>	<b>76</b>
<b>A427032</b>	<b>DECAL KIT, AVANT 523 OPTIDRIVE</b>	<b>78</b>
<b>A445134</b>	<b>HYDRAULIC MOTOR ASSEMBLY 364 CCM POCLAIN</b>	<b>80</b>
		<small>*DKOS fittings from 2022 week 26</small>
<b>A421885</b>	<b>DRIVE MOTOR REAR, ASSEMBLY</b>	<b>82</b>
		<small>*E03 fittings before 2022 week 26</small>
<b>A422531</b>	<b>DRIVE MOTOR FRONT, ASSEMBLY</b>	<b>84</b>
		<small>*E03 fittings before 2022 week 26</small>

15.6.2023

<b>A451431</b>	<b>HYDR. HOSES DRIVE 500-600 SERIES 1-SPEED</b>	*DKOS fittings from 2022 week 26	<b>86</b>
<b>A37575</b>	<b>HYDR. HOSES DRIVE CIRCUIT WITHOUT ANTI S</b>	*E03 fittings before 2022 week 26	<b>88</b>
<b>A421616</b>	<b>HYDRAULIC MANIFOLD DRIVE RELEASE 1-SPEED</b>	*E03 fittings before 2022 week 26	<b>90</b>
<b>A454024</b>	<b>HYDRAULIC MANIFOLD ANTI SLIP VALVE</b>	*E03 fittings before 2022 week 26	<b>92</b>
<b>A454023</b>	<b>HYDRAULIC MANIFOLD 1-SPEED DRIVE RELEASE</b>	*DKOS fittings from 2022 week 26	<b>94</b>
<b>A424299</b>	<b>ENGINE D722 ASSEMBLY</b>	*Kubota D722	<b>96</b>
<b>A37578</b>	<b>HYDRAULIC PUMPS ASSEMBLY 520 OPTIDRIVE</b>		<b>98</b>
<b>A414821</b>	<b>ROCKER SWITCHES, ALL</b>		<b>100</b>
<b>A35553</b>	<b>BOOM SELF LEVELLING, 500 &amp; E SERIES</b>		<b>102</b>
<b>A47773</b>	<b>BOOM FLOATING, MACHINE WITHOUT SELF</b>		<b>104</b>
<b>A34015</b>	<b>BOOM FLOATING, WHEN SELF LEVELLING</b>	*Boom floating when self levelling	<b>106</b>
<b>A448287</b>	<b>VALVE &amp; HOSES, BYPASS SELF LEVELLING</b>		<b>108</b>
<b>A433694</b>	<b>VALVE ASSEMBLY BOOM FLOAT/SELF LEVELLING</b>		<b>110</b>
<b>A434045</b>	<b>CONTROL VALVE 6-FUNCT JOYSTICK 400/500</b>	*A430922 from XXXXX1916	<b>112</b>
<b>A430922</b>	<b>CONTROL VALVE 6-FUNCT JOYSTICK 400/500</b>		<b>114</b>
<b>A36878</b>	<b>ATTACHMENT CONTROL SWITCH PACK</b>		<b>116</b>
<b>A35881</b>	<b>REAR AUX. HYDR. OUTLET, DOUBLE ACTING</b>		<b>118</b>
<b>A35884</b>	<b>EXTRA AUX. HYDR. OUTLET, FRONT, 500 SERI</b>		<b>120</b>
<b>A424303</b>	<b>ANTI SLIP VALVE OPTIDRIVE 500 / 600</b>		<b>122</b>
<b>A421617</b>	<b>HYDRAULIC MANIFOLD, ANTI SLIP VALVE</b>		<b>124</b>
<b>A33916</b>	<b>WORK LIGHT KIT, 3 LED LIGHTS 700 LUMEN</b>		<b>126</b>
<b>A33912</b>	<b>ROAD TRAFFIC KIT 500/600 SERIES ROPS</b>		<b>128</b>
<b>A412565</b>	<b>REAR WALL FOR ROAD TRAFFIC LIGHTS</b>		<b>130</b>
<b>A49119</b>	<b>ROPS FRAME WITH FOPS CANOPY, 600/700 SER</b>		<b>132</b>
<b>A443905</b>	<b>CAB L, 500-700 SERIES</b>		<b>134</b>
<b>A443979</b>	<b>WINDSCREEN WIPER ASSEMBLY CAB L 523-760I</b>		<b>136</b>
<b>A35608</b>	<b>COVER PLATES, KIT, 500 SERIES</b>	*LX/DLX, ABS	<b>138</b>
<b>A35665</b>	<b>COVER PLATES HD CAB DLX FRONT 500 SERIES</b>	*LX/DLX, PC/HD, optional extra	<b>140</b>
<b>A21590</b>	<b>CAB DLX 500/600 SERIES</b>		<b>142</b>
<b>A21708</b>	<b>CAB DLX, ASSEMBLY</b>		<b>144</b>
<b>A412488</b>	<b>TANK, COMPLETE, WINDSCREEN WASHER</b>		<b>146</b>
<b>A35735</b>	<b>DOOR, COMPLETE, CAB LX A21517</b>		<b>148</b>
<b>A434225</b>	<b>DOOR, LOWER PART CAB LX/DLX</b>		<b>150</b>
<b>A21706</b>	<b>HEATER UNIT, COMPLETE, CAB DLX</b>		<b>152</b>
<b>A21705</b>	<b>UPHOLSTERY, COMPLETE, CAB DLX</b>		<b>154</b>
<b>A423600</b>	<b>DASHBOARD CAB DLX ASSEMBLY</b>		<b>156</b>
<b>A21707</b>	<b>WINDSCREEN ASSEMBLY, CAB DLX</b>		<b>158</b>
<b>A421890</b>	<b>HEADLIGHTS, ROAD TRAFFIC KIT CAB DLX</b>		<b>160</b>
<b>A21517</b>	<b>CAB LX</b>		<b>162</b>
<b>A423029</b>	<b>FRONT LIGHTS ASSEMBLY CAB LX</b>		<b>164</b>
<b>A21738</b>	<b>UPHOLSTERY, COMPLETE, CAB LX</b>		<b>166</b>
<b>A425277</b>	<b>ENGINE BLOCK HEATER, KIT, 423/523</b>		<b>168</b>

# A21741 AVANT 523

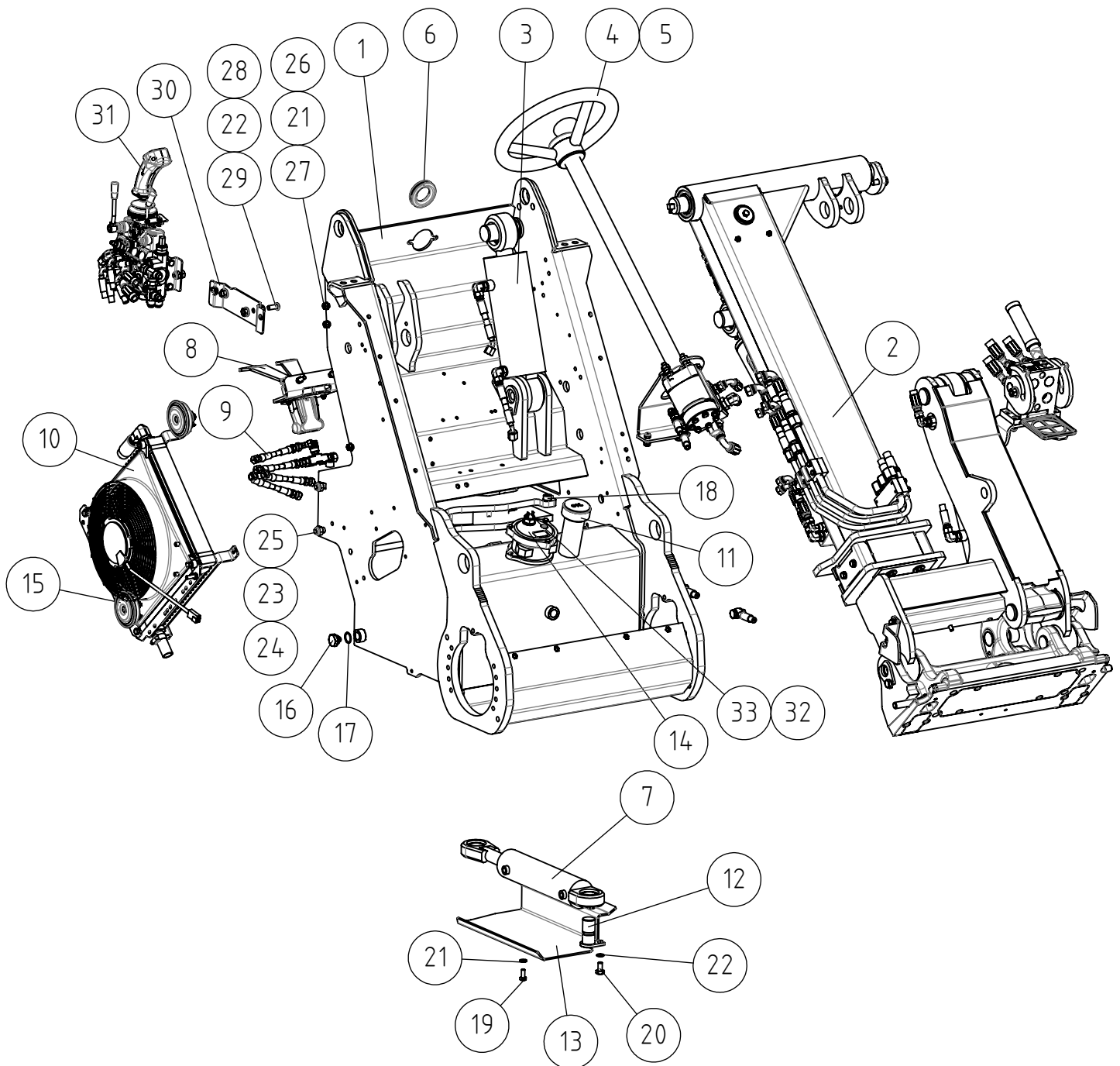


15.6.2023

**A21741 AVANT 523**

REF	PART NO	QTY	DESCRIPTION	NOTES	PAGE
1	A424160	1	FRONT FRAME, 500 OPTIDRIVE, ASSEMBLY		6
2	A21742	1	REAR CHASSIS 523, ASSEMBLY		32
3	A21713	1	ROPS/FOPS FRAME COMPLETE		58
4	A426254	1	ELECTRIC COMPONENTS 523		64
5	A422326	1	WIRE HARNESS BRAKE/SPEED RANGE 500-700		-
6	A423593	1	DASHBOARD ASSEMBLY		66
7*	A35734	1	COVER PLATES, FRONT, KIT, 500/600	ROPS, ABS	68
7**	A35953	1	COVER PLATES HD, KIT, FRONT FRAME 500-600	ROPS, PC/HD, optional extra	70
8***	A37489	1	COVER PLATES REAR CHASSIS 420-523, KIT	ABS	72
8****	A426056	1	COVER PLATES POLYCARB REAR CHASSIS	PC/HD, optional extra	74
9	65996	4	WHEEL 23*10.50-12 GRASS, 5-HOLE RIM		-
9	65997	4	WHEEL 23*10.50-12 TRACTOR 5- HOLE RIM		-
9	65994	4	WHEEL 23*8.50-12 GRASS, 5-HOLE RIM		-
9	65995	4	WHEEL 23*8.50-12 TRACTOR 5- HOLE RIM		-
9	65787	4	WHEEL (TYRE+RIM) 10-HOLE 26.5*14-12 GRAS		-
9	65739	4	WHEEL 26*12.00-12 TRACTOR, 10 HOLE RIM		-
10	A410307	1	FRAME LOCK, 700/800 SERIES		-
11	71727	1	LINCH PIN 9,5 MM		-
12	A428313	1	DECAL KIT 400-800 SERIES		76
13	A427032	1	DECAL KIT, AVANT 523 OPTIDRIVE		78
14*****	A445134	1	HYDRAULIC MOTOR ASSEMBLY 364 CCM POCLAIN	DKOS fittings from 2022 week 26	80
14*****	A421885	1	DRIVE MOTOR REAR, ASSEMBLY	E03 fittings before 2022 week 26	82
14*****	A422531	1	DRIVE MOTOR FRONT, ASSEMBLY	E03 fittings before 2022 week 26	84
15*****	A451431	1	HYDR. HOSES DRIVE 500-600 SERIES 1-SPEED	DKOS fittings from 2022 week 26	86
15*****	A37575	1	HYDR. HOSES DRIVE CIRCUIT WITHOUT ANTI S	E03 fittings before 2022 week 26	88

15.6.2023

**A424160 FRONT FRAME, 500 OPTIDRIVE, ASSEMBLY**

Eturunko (1) oli

A21550 ennen srj.nro.  
XXXXX1849A432974 ennen srj.nro.  
XXXXX2219

Front frame (1) was

A21550 before serial no.  
XXXXX1849A432974 before serial no.  
XXXXX2219

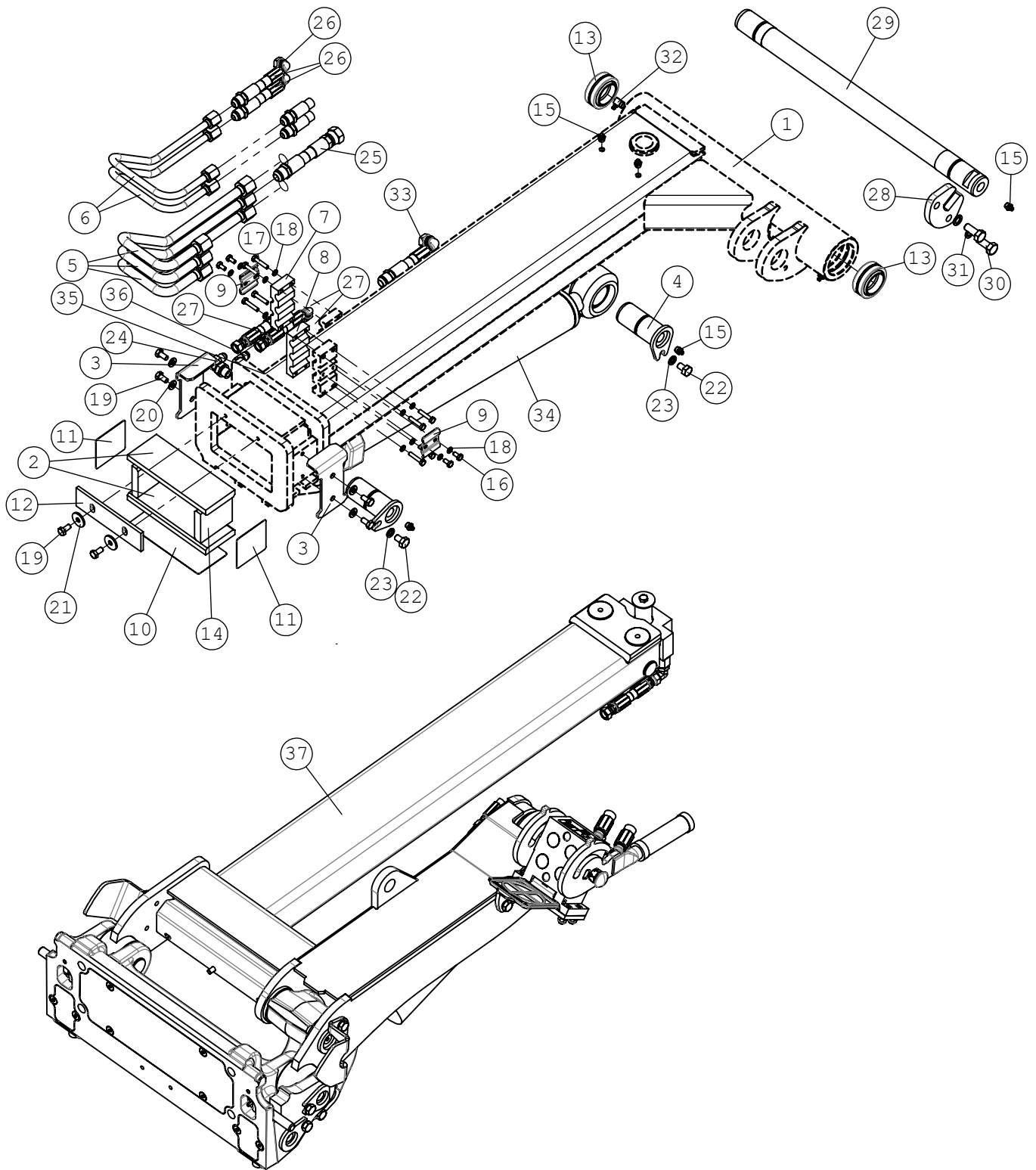
15.6.2023

**A424160 FRONT FRAME, 500 OPTIDRIVE, ASSEMBLY**

REF	PART NO	QTY	DESCRIPTION	NOTES	PAGE
1	A450315	1	FRONT FRAME 500-600 SERIES		-
2	A21552	1	TELESCOPIC BOOM, COMPLETE ASSEMBLY		8
2.1	A430743	1	SLIDE PAD KIT TELESCOPIC BOOM A21226,		-
3	A35553	1	BOOM SELF LEVELLING, 500 & E SERIES		102
4	A48998	1	STEERING COLUMN		20
5	A449399	1	HYDR. HOSES ORBITROL		22
6	A428827	1	RUBBER BUSHING STEERING COLUMN		-
7	A410813	1	HYDR. CYLINDER F60/F30-172 STEERING		-
7.1	65567	1	SEAL KIT, CYLINDER F60/F30		-
7.2	64273	2	ARTICUL. BEARING GE30ESF47/30-22(18)		-
8	A49058	1	DRIVE PEDAL, COMPLETE ASSEMBLY		24
9	A422190	1	HYDR. HOSES DRIVE PEDAL 700 SERIES		26
10	A413893	1	HYDRAULIC OIL COOLER, COMPLETE ASSEMBLY		28
11	A48010	1	DIPSTICK L=230 HYDR. OIL R1 1/4"		-
12	A47655	1	PIVOT PIN F30-60		-
13	A410452	1	BOTTOM PLATE		-
14	64176	1	HYDRAULIC OIL FILTER, RETURN, OMTF 75-20		-
14.1	A427821	1	SEAL KIT HYDRAULIC RETURN OIL FILTER		-
15	64157	1	SIGNAL HORN COMPLETE		-
16	64352	1	HEXAGONAL DRAIN PLUG, MAGNETIC R 1/2		-
17	75117	1	SEAL RING F26/F21*1,5		-
18	A413262	2	BUSHING F19/F10, FLOOR RAISING, 700 SERI		-
19	72130	4	HEXAGONAL SCREW M8*20		-
20	73040	1	HEXAGONAL SCREW M10*20 DIN 933 ZN		-
21	63944	10	WASHER, PAIR, NORD-LOCK M8		-
22	74531	3	SPACER NORDLOCK M10, PAIR		-
23	72324	2	HEXAGONAL NUT M 12 NYLOC DIN 985		-
24	74532	2	WASHER NORDLOCK NL12		-
25	73042	2	HEX. SCREW M12*35 DIN 933 ZN		-
26	72132	3	HEXAGONAL SCREW M 8*25 DIN 933 ZN		-
27	72319	3	HEXAGONAL NUT M8 DIN 934		-
28	74783	2	HEXAGONAL NUT M10 WITH FLANGE		-
29	74762	2	BUTTON HEAD SOCKET CAP SCREW M10*25 10.9		-
30	A433448	1	MOUNTING PLATE CONTROL VALVE A430922		-
31	A34281	1	CONTROL VALVE COMPLETE 420 HDS11/4		30
32	73047	1	USIT SEAL RING R/12"		-
33	64096	1	TEMPERATURE SWITCH 60°C HYDRAULIC OIL		-

15.6.2023

# A21552 TELESCOPIC BOOM, COMPLETE ASSEMBLY





15.6.2023

**A21552 TELESCOPIC BOOM, COMPLETE ASSEMBLY**

REF	PART NO	QTY	DESCRIPTION	NOTES	PAGE
1	A33604	1	OUTER BOOM		-
2	A48339	2	SLIDE PAD 15*72*194		-
3	A48341	2	MOUNTING PLATE, SLIDE PAD		-
4	A47041	2	PIVON PIN F40-90		-
5	A47559	3	HYDRAULIC PIPE F16		-
6	A47560	2	HYDRAULIC PIPE F12		-
7	A47562	1	BRACKET, HYDR.PIPE F16/F12		-
8	A47561	1	BRACKET, HYDR. PIPE F16		-
9	A47563	2	BRACKET, HYDR.PIPE F12		-
10	A48014	2	ADJUSTMENT PLATE 1 MM, LONG		-
11	A48013	2	ADJUSTMENT PLATE 1 MM, SHORT		-
12	A48367	1	SCRAPER		-
13	64911	2	ARTICUL. BEARING GE40ES F62/40-28(22)		-
14	A48340	2	SLIDE PAD 15*72*78		-
15	72798	6	GREASE NIPPLE R 1/8" STRAIGHT		-
16	72116	4	HEXAGONAL SCREW M 6*12 DIN 933 ZN		-
17	73199	8	HEXAGONAL SCREW M6*30 DIN 933		-
18	74530	12	WASHER NORDLOCK NL6		-
19	73039	6	HEXAGONAL SCREW M 8*16 DIN 933 ZN		-
20	63944	4	WASHER, PAIR, NORD-LOCK M8		-
21	71685	2	WASHER M8 R9 DIN 440 ZN		-
22	72147	2	HEXAGONAL SCREW M 10*16 DIN 933		-
23	74531	2	SPACER NORDLOCK M10, PAIR		-
24	64044	1	ELBOW FITTING 90° C40XS10-3/8 /8		-
25	A47681	1	HYDR. HOSE L=1020 1LW-08		-
26	A47638	2	HYDR. HOSE L=1610 2LW-06		-
27	A47635	2	HYDR. HOSE L=1720 2LW-06		-
28	A49723	1	LOCKING PLATE		-
29	A49725	1	PIVOT PIN F40-564		-
30	72167	2	HEXAGONAL SCREW M12*30 DIN 933		-
31	74532	2	WASHER NORDLOCK NL12		-
32	74082	1	GREASE NIPPLE R1/8" 90 DEGREE		-
33	A414729	2	HYDR. HOSE L=1700		-
34	A420809	1	HYDRAULIC CYLINDER F63/F35-450		-
34.1	65003	1	SEAL KIT, 63/35 CYLINDER		-
35	64041	1	BASIC FITTING F40XS10-3/8 /8		-
36	64043	1	ELBOW FITTING 90° C6XS10		-
37	A436620	1	INNER BOOM, ASSEMBLY		10
-	A430743	1	SLIDE PAD KIT TELESCOPIC BOOM A21226,		-

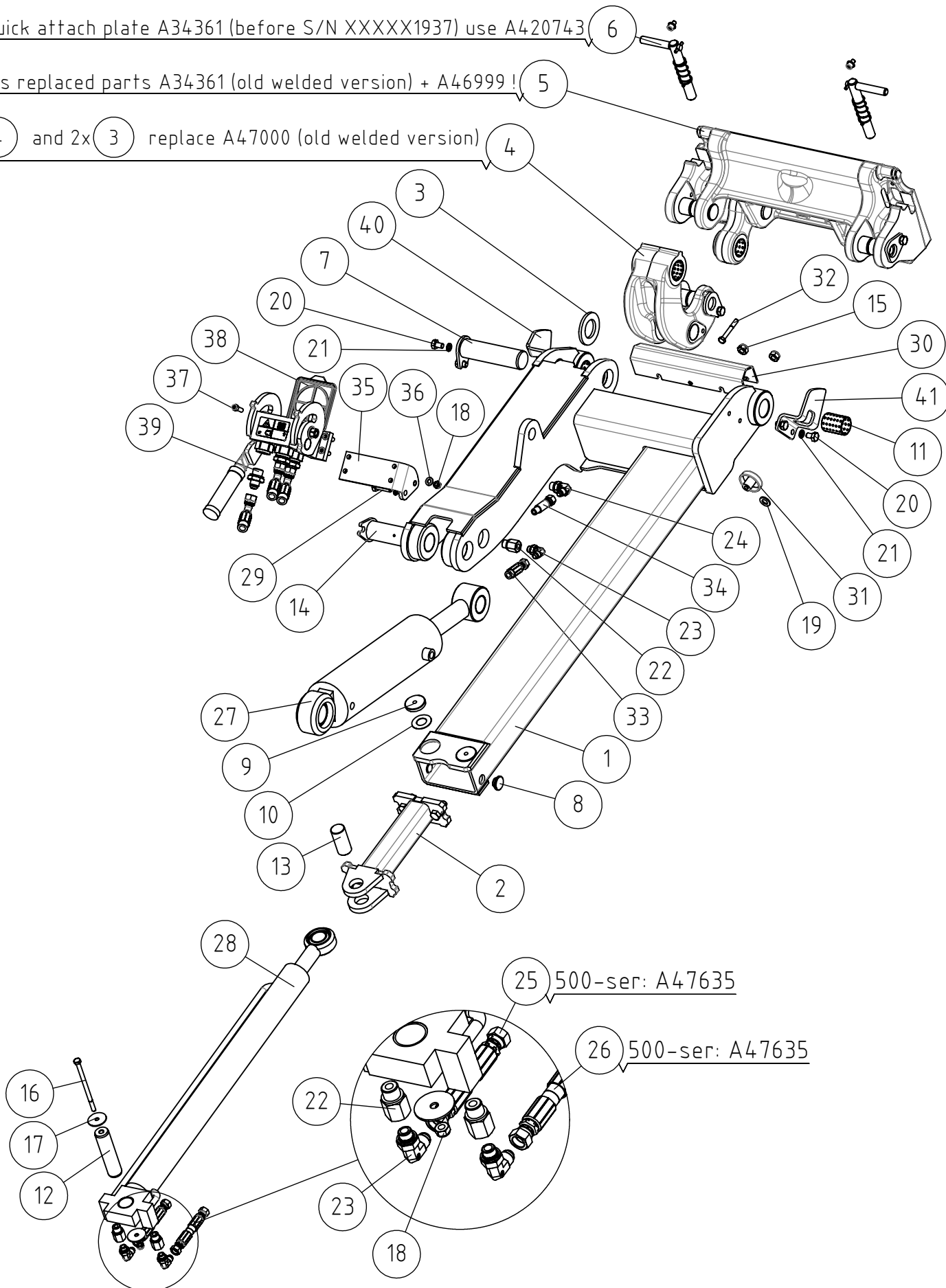
15.6.2023

# A436620 INNER BOOM, ASSEMBLY

With welded quick attach plate A34361 (before S/N XXXXX1937) use A420743

This has replaced parts A34361 (old welded version) + A46999!

Parts 4 and 2x 3 replace A47000 (old welded version)



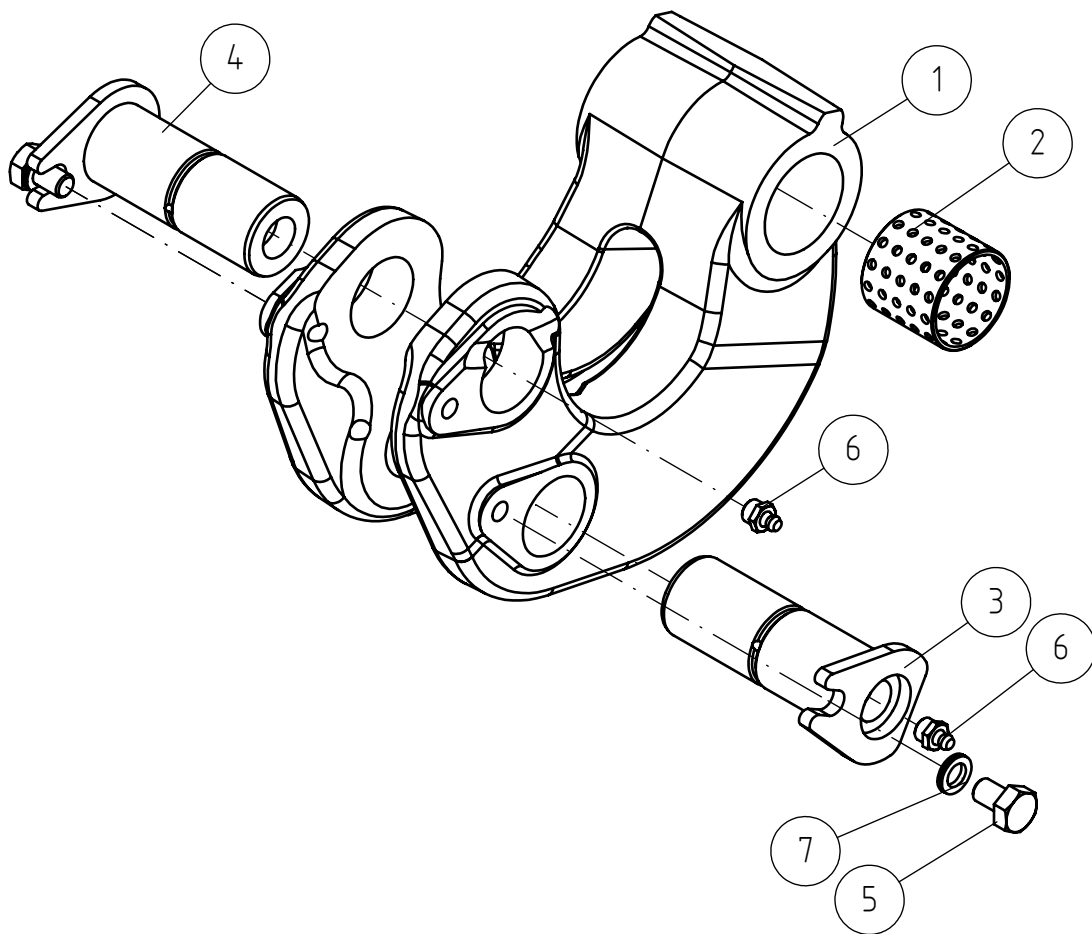
15.6.2023

**A436620 INNER BOOM, ASSEMBLY**

REF	PART NO	QTY	DESCRIPTION	NOTES	PAGE
1	A33605	1	INNER BOOM		-
2	A47002	1	LINKAGE ROD, SELF LEVELING		-
3	A411429	2	SPACER S=6		-
4	A436687	1	LINKAGE PIECE "BOOMERANG" CAST STEEL		12
5	A436576	1	ATTACHMENT COUPLING PLATE CAST STEEL		14
6	A436614	1	LOCKING PIN ASSEMBLY ATTACHM COUPL PLATE		16
7	A47042	2	PIVOT PIN F40-147		-
8	A48343	2	ROLLER, BOOM		-
9	A47922	2	ROLLER, BOOM		-
10	A47941	2	SLIDE PLATE		-
11	64913	2	SLIDE BEARING BRM-80 F39/F35-50		-
12	A48489	1	PIVOT PIN F30		-
13	A47692	1	PIVOT PIN F30-66		-
14	72798	2	GREASE NIPPLE R 1/8" STRAIGHT		-
15	72324	2	HEXAGONAL NUT M 12 NYLOC DIN 985		-
16	74766	1	HEXAGONAL SCREW M8*140		-
17	A48492	2	WASHER M8X40		-
18	72320	5	HEXAGONAL NUT M8 NYLOC DIN 985		-
19	71691	2	WASHER M12 A13 DIN 125		-
20	72147	5	HEXAGONAL SCREW M 10*16 DIN 933		-
21	74531	7	SPACER NORDLOCK M10, PAIR		-
22	64324	3	REDUCER FITTING RI 3/8"-EDX 1/4"		-
23	64087	3	ELBOW FITTING 90 DEGR. /4#		-
24	64044	1	ELBOW FITTING 90° C40XS10-3/8 /8		-
25	A414606	1	HYDR. HOSE L=1400		-
26	A47637	1	HYDR. HOSE L=1300 2LW-06		-
27	A47921	1	HYDR. CYLINDER F90/F40-216		-
27.1	65005	1	SEAL KIT, CYLINDER 90/40 A47920 A47921		-
27.2	64911	1	ARTICUL. BEARING GE40ES F62/40-28(22)		-
28	A47032	1	HYDR. CYLINDER F50/F32-600		-
28.1	65004	1	SEAL KIT 50/32 CYLINDER A47032		-
28.2	64273	1	ARTICUL. BEARING GE30ESF47/30-22(18)		-
28.3	64823	1	SLIDE BEARING BRM-80 F34/F30-30		-
29	74505	2	HEXAGONAL SCREW M10*35 DIN 933 ZN		-
30	A413816	1	SERVICE SUPPORT, LIFT CYLINDER		-
31	64188	2	FINGER SCREW R5026M8S		-
32	72139	1	HEXAGONAL SCREW M 8*60 DIN 931		-
33	A414912	1	HYDR. HOSE L=1250 2LW-06		-
34	A414913	1	HYDR. HOSE L=1550 2LW-06		-
35	A410804	1	MOUNTING BRACKET, MULTI CONNECTOR LOADER		-
36	73122	4	WASHER M8 A8,4 DIN 125 ZN		-
37	71884	4	HEXAGONAL HEAD SCREW M 8*25 DIN 912 2		-
38	65252	1	MULTI CONNECTOR, ON LOADER		18
39	64058	3	BASIC FITTING F40XS12-1/2		-
40	A430655	1	RELEASE PLATE		-
41	A432890	1	RELEASE PLATE RIGHT		-

15.6.2023

# A436687 LINKAGE PIECE "BOOMERANG" CAST STEEL



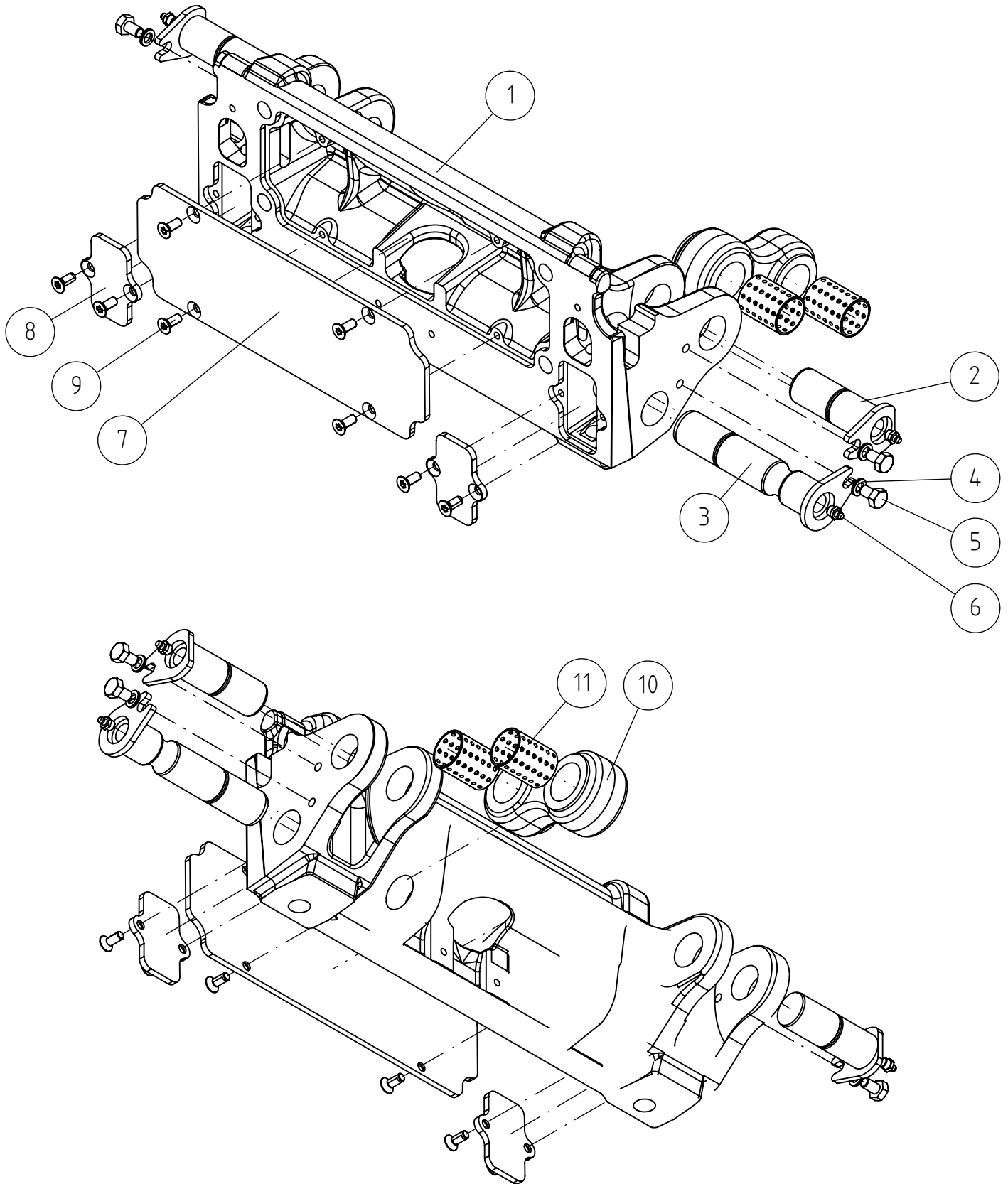
15.6.2023

**A436687 LINKAGE PIECE "BOOMERANG" CAST STEEL**

REF	PART NO	QTY	DESCRIPTION	NOTES	PAGE
1	A435456	1	LINKAGE PIECE "BOOMERANG" CAST STEEL		-
2	64912	2	SLIDE BEARING BRM-80 TF44/F40-40		-
3	A430579	1	PIVOT PIN 35-103		-
4	A430582	1	PIVOT PIN 35-92		-
5	72147	2	HEXAGONAL SCREW M 10*16 DIN 933		-
6	72798	2	GREASE NIPPLE R 1/8" STRAIGHT		-
7	74531	2	SPACER NORDLOCK M10, PAIR		-

15.6.2023

# A436576 ATTACHMENT COUPLING PLATE CAST STEEL



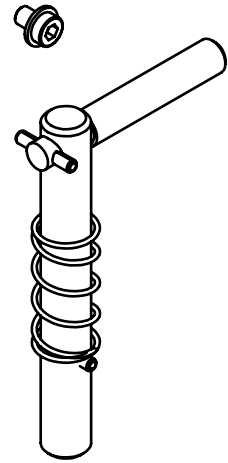
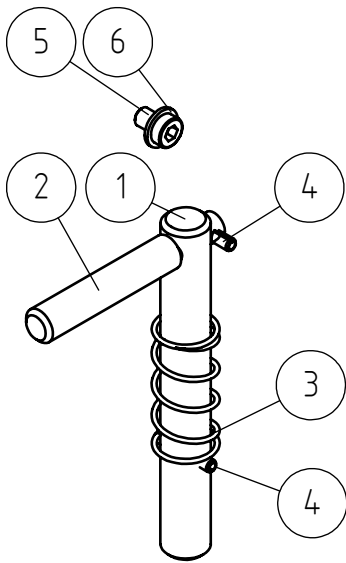
15.6.2023

**A436576 ATTACHMENT COUPLING PLATE CAST STEEL**

REF	PART NO	QTY	DESCRIPTION	NOTES	PAGE
1	A21749	1	ATTACHMENT COUPLING PLATE CAST STEEL		-
2	A412814	2	PIVOT PIN F35-98		-
3	A427469	1	PIVOT PIN 35-175		-
4	74531	3	SPACER NORDLOCK M10, PAIR		-
5	72147	3	HEXAGONAL SCREW M 10*16 DIN 933		-
6	72798	3	GREASE NIPPLE R 1/8" STRAIGHT		-
7	A427458	1	COVERING PLATE 378X127 ATTACHM COUPL PLA		-
8	A427464	2	COVERING PLATE 87X47 ATTACHM COUPL PLATE		-
9	A441215	8	THREAD-FORMING SCREW M8*20 ISO 14581		-
10	A430010	1	LINKAGE PIECE 500/600 SERIES		-
11	64913	2	SLIDE BEARING BRM-80 F39/F35-50		-

15.6.2023

# A436614 LOCKING PIN ASSEMBLY ATTACHM COUPL PLATE





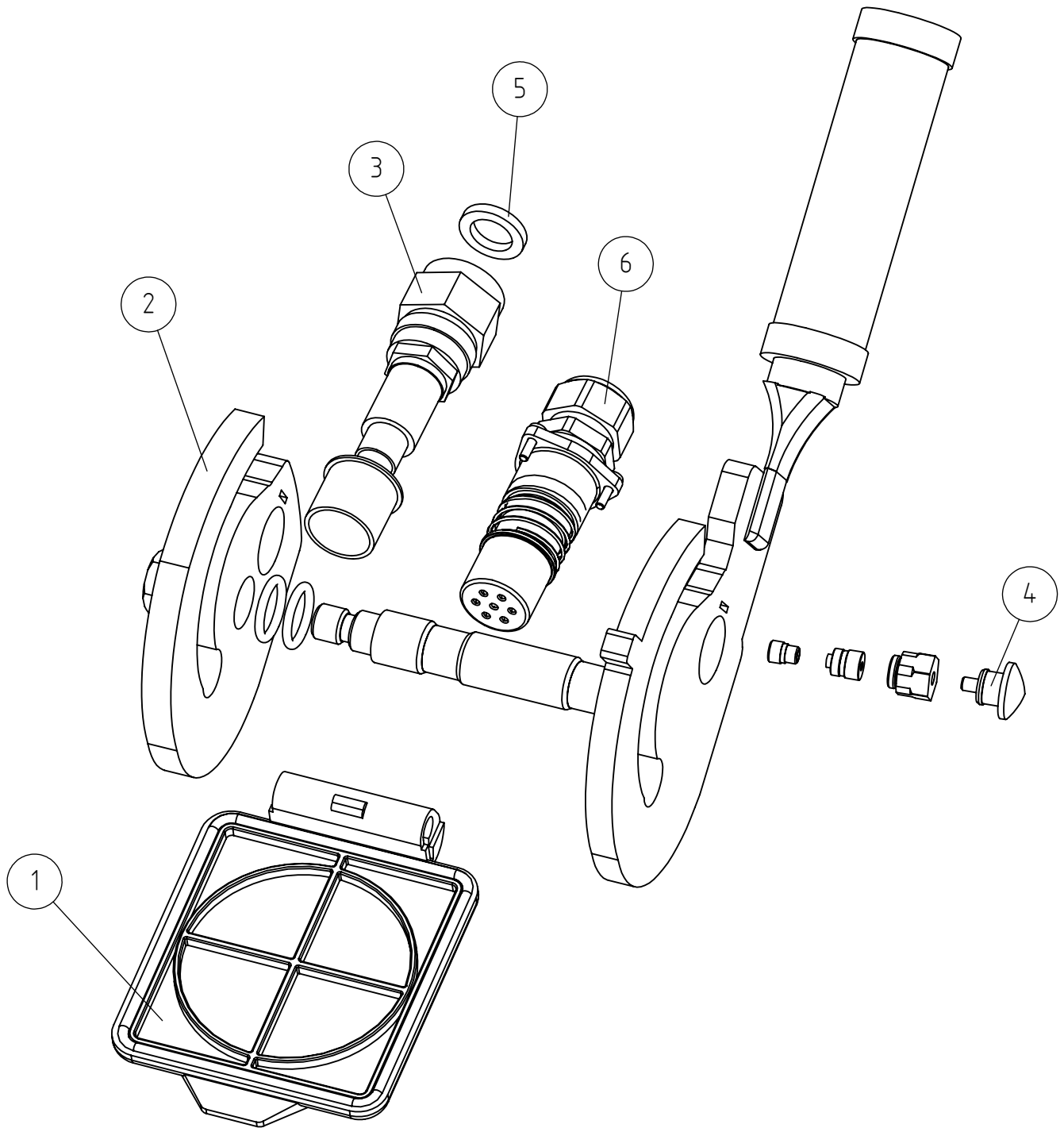
15.6.2023

**A436614 LOCKING PIN ASSEMBLY ATTACHM COUPL PLATE**

REF	PART NO	QTY	DESCRIPTION	NOTES	PAGE
1	A47687	2	LOCKING PIN F20		-
2	A47688	2	LATCH PIN		-
3	64138	2	COMPRESSION SPRIG DIN 2098 2*25*135		-
4	73661	4	SPRING PIN 5*30 DIN 1481		-
5	74932	2	HEXAGONAL HEAD SCREW M8*12		-
6	73122	2	WASHER M8 A8,4 DIN 125 ZN		-

15.6.2023

# 65252 MULTI CONNECTOR, ON LOADER



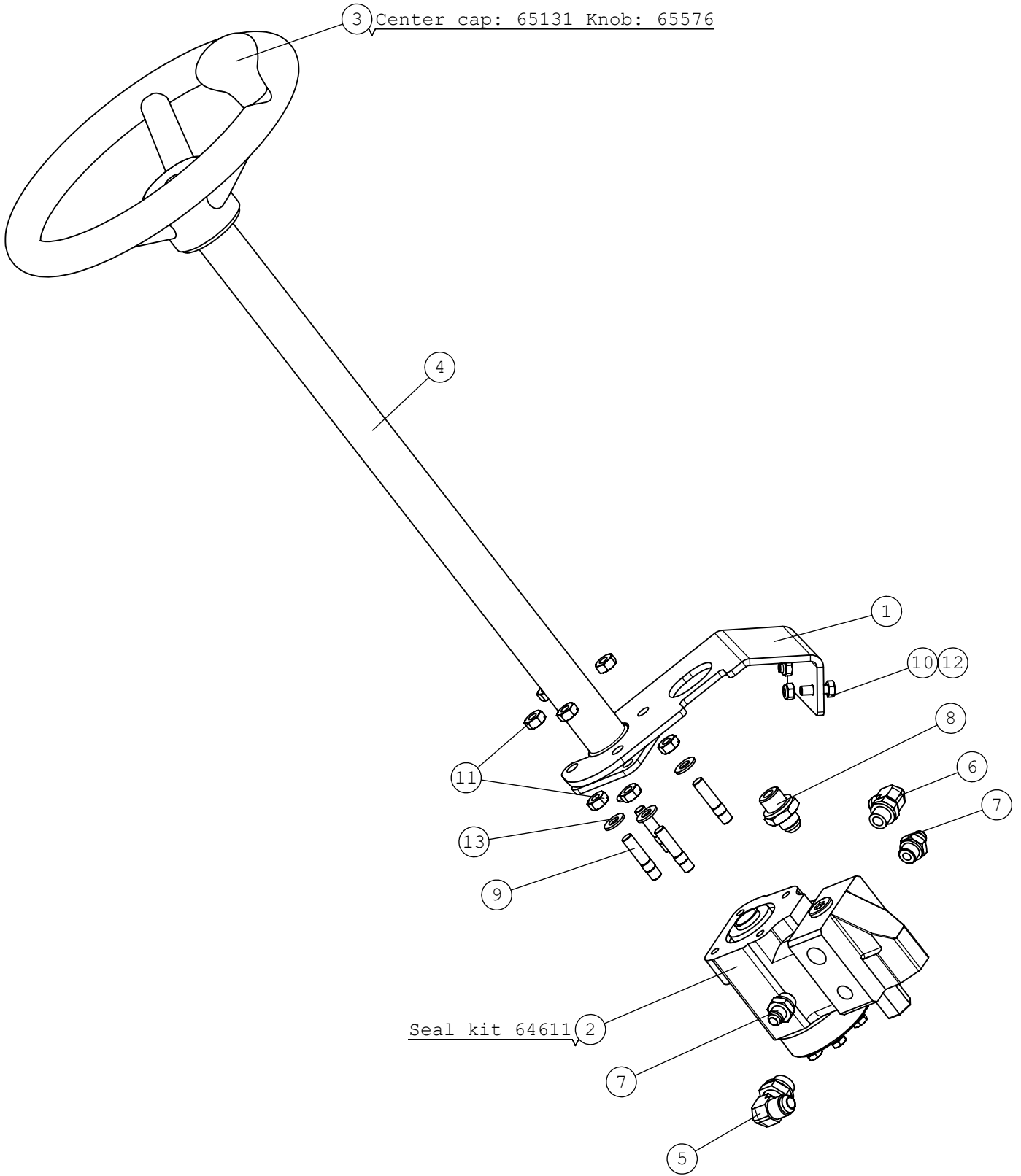
15.6.2023

**65252 MULTI CONNECTOR, ON LOADER**

REF	PART NO	QTY	DESCRIPTION	NOTES	PAGE
1	65882	1	CAP PLATE, KIT, MULTI CONNECTOR		-
2	65884	1	HANDLE, KIT, MULTI CONNECTOR ON LOADER		-
3	65881	1	QUICK COUPLER, ON MULTI CONNECTOR		-
4	65883	1	SAFETY BUTTON, KIT, MULTI CONNECTOR		-
5	65880	1	SEAL RING, MULTI CONNECTOR SK MF 12		-
6	75035	1	ELECTRIC CONNECTOR FEMININE, FASTER		-

15.6.2023

# A48998 STEERING COLUMN

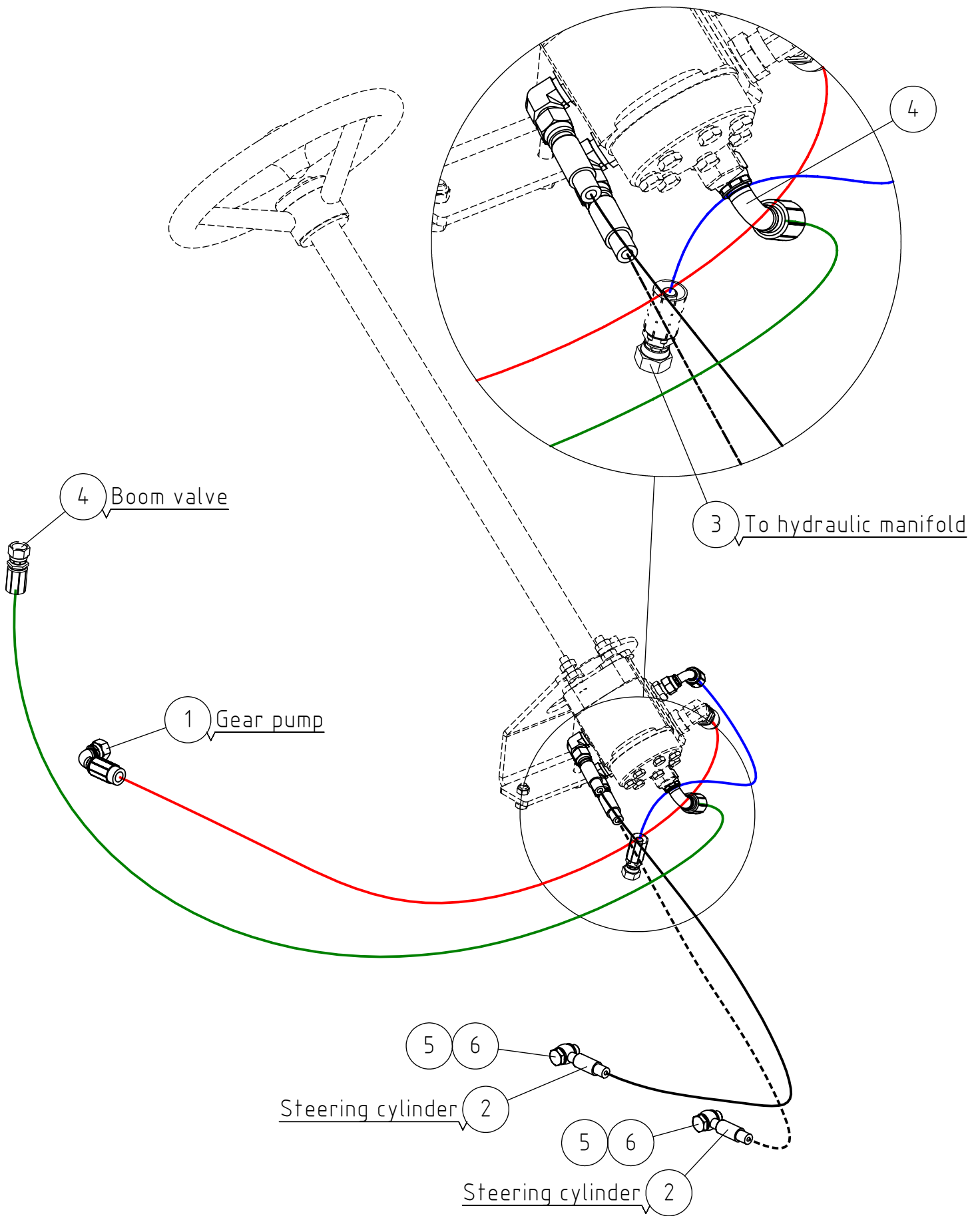


15.6.2023

**A48998 STEERING COLUMN**

REF	PART NO	QTY	DESCRIPTION	NOTES	PAGE
1	A412915	1	BRACKET, ORBITROL		-
2	64178	1	CONTROL BLOCK M+S HKUS 80/5-140+PRDD80/7		-
2.1	A430819	1	HEXAGONAL HEAD SCREW M10*1*45 ORBITROL		-
2.2	64611	1	SEAL KIT 41 5137 0130 M+S HKUS ORBITROL		-
2.3	64612	1	SEAL KIT, PRIORITY VALVE / ORBITROL M+S		-
3	65076	1	STEERING WHEEL "AVANT" F320		-
3.1	65131	1	CENTER CAP, STEERING WHEEL		-
3.2	65576	1	KNOB, STEERING WHEEL, COBO 0034.1130		-
4	66233	1	STEERING WHEEL ROD M+S KK650 - I		-
5	64045	1	ELBOW FITTING 90° C40XS12-1/2 /2		-
6	64044	1	ELBOW FITTING 90° C40XS10-3/8 /8		-
7	64041	2	BASIC FITTING F40XS10-3/8 /8		-
8	64058	1	BASIC FITTING F40XS12-1/2		-
9	74587	4	STUD M10* 35 DIN 939		-
10	72132	2	HEXAGONAL SCREW M 8*25 DIN 933 ZN		-
11	72321	8	HEXAGONAL NUT M10 DIN 934		-
12	72320	2	HEXAGONAL NUT M8 NYLOC DIN 985		-
13	73121	4	WASHER M10 A10,5 DIN 125 ZN		-

# A449399 HYDR. HOSES ORBITROL



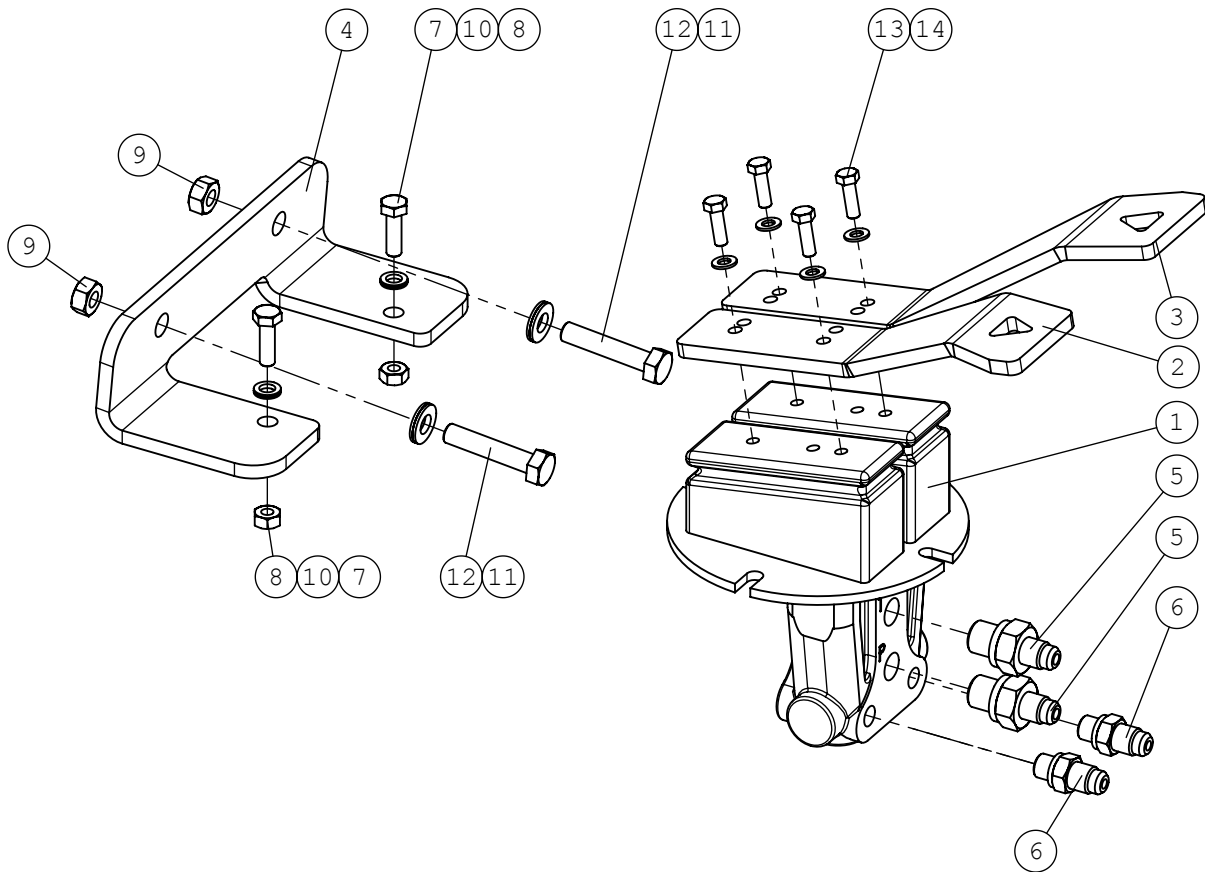
15.6.2023

**A449399 HYDR. HOSES ORBITROL**

REF	PART NO	QTY	DESCRIPTION	NOTES	PAGE
1	A47633	1	HYDR. HOSE L=1110 2LW-08 JIC12-JIC12 90		-
2	A414362	2	HYDR. HOSE L=960		-
3	A434556	1	HYDR. HOSE L=500		-
4	A434549	1	HYDR. HOSE L=1450		-
5	73757	4	USIT COMPRESSION R1/4"		-
6	64557	2	BANJO BOLT R 1/4"		-

15.6.2023

# A49058 DRIVE PEDAL, COMPLETE ASSEMBLY





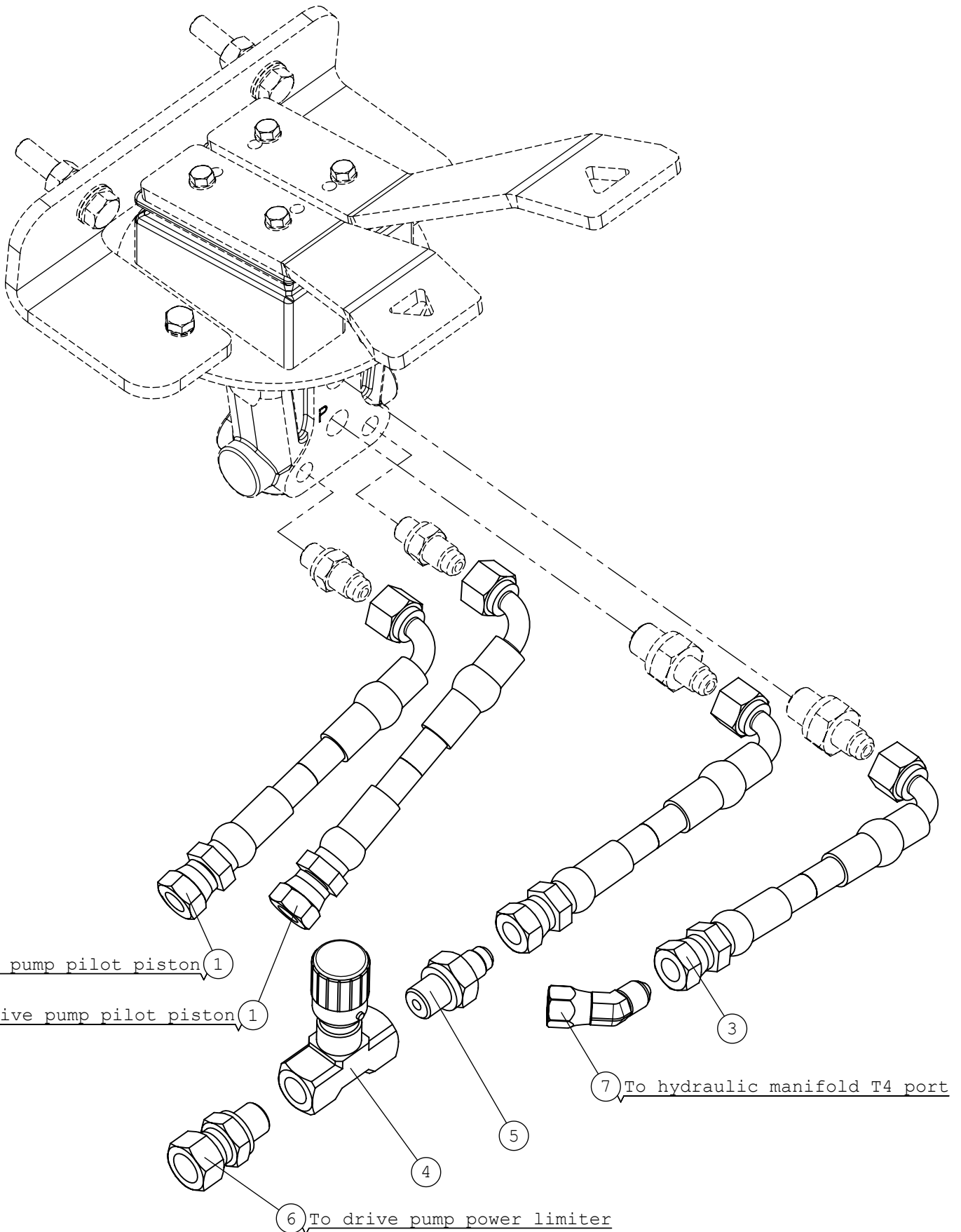
15.6.2023

**A49058 DRIVE PEDAL, COMPLETE ASSEMBLY**

REF	PART NO	QTY	DESCRIPTION	NOTES	PAGE
1	64922	1	HYDR. PEDAL BONDIOLI HPCF0G218SP00102-1		-
2	A47550	1	DRIVE PEDAL, LEFT		-
3	A47551	1	DRIVE PEDAL, RIGHT		-
4	A47247	1	BRACKET, DRIVE PEDAL		-
5	64678	2	BASIC FITTING F40XS6-1/4"		-
6	64793	2	BASIC FITTING F40XS6-1/8"		-
7	72118	2	HEXAGONAL SCREW M6*20 DIN 933		-
8	72317	3	HEXAGONAL NUT M6 DIN 934		-
9	72319	2	HEXAGONAL NUT M8 DIN 934		-
10	74530	2	WASHER NORDLOCK NL6		-
11	63944	2	WASHER, PAIR, NORD-LOCK M8		-
12	73222	2	HEXAGONAL SCREW M8*40 DIN 933		-
13	72110	4	HEX. SCREW M5*16 DIN 933		-
14	74448	4	WASHER M5 A5,3 DIN 125 ZN		-

15.6.2023

# A422190 HYDR. HOSES DRIVE PEDAL 700 SERIES



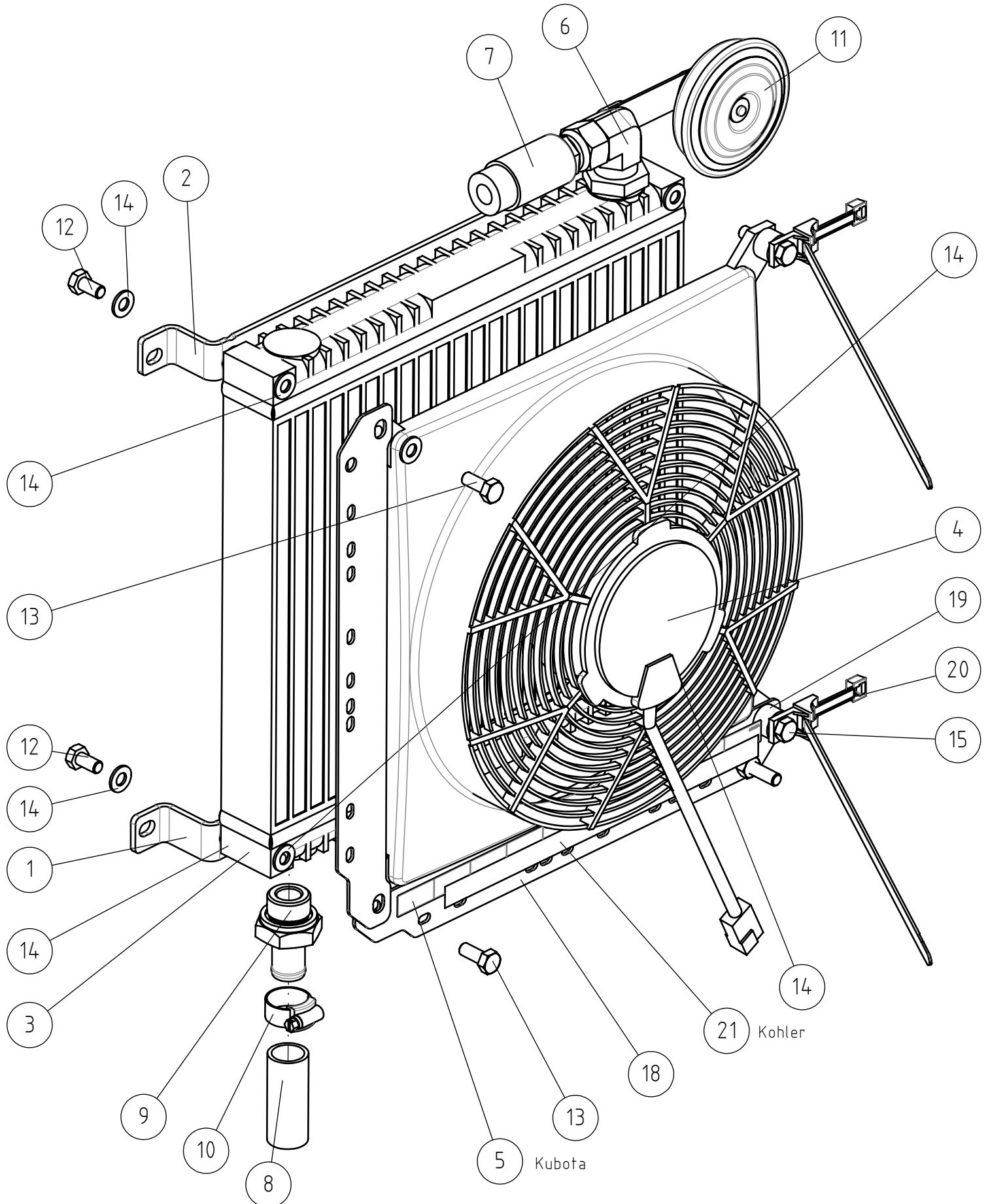
15.6.2023

**A422190 HYDR. HOSES DRIVE PEDAL 700 SERIES**

REF	PART NO	QTY	DESCRIPTION	NOTES	PAGE
1	A422164	2	HYDR. HOSE L=1240		-
2	A410274	1	HYDR. HOSE L=1120		-
3	A47643	1	HYDR. HOSE L=430 TYPE 087-3/16" JIC6-		-
4	63879	1	CHECK VALVE 9N400S R1/4"-R1/4"		-
5	64678	1	BASIC FITTING F40XS6-1/4"		-
6	64060	1	CONNECTOR NIPPLE F64XS10-1/4		-
7	65587	1	ELBOW FITTING 45° UNF 7/16" JIC		-

15.6.2023

# A413893 HYDRAULIC OIL COOLER, COMPLETE ASSEMBLY



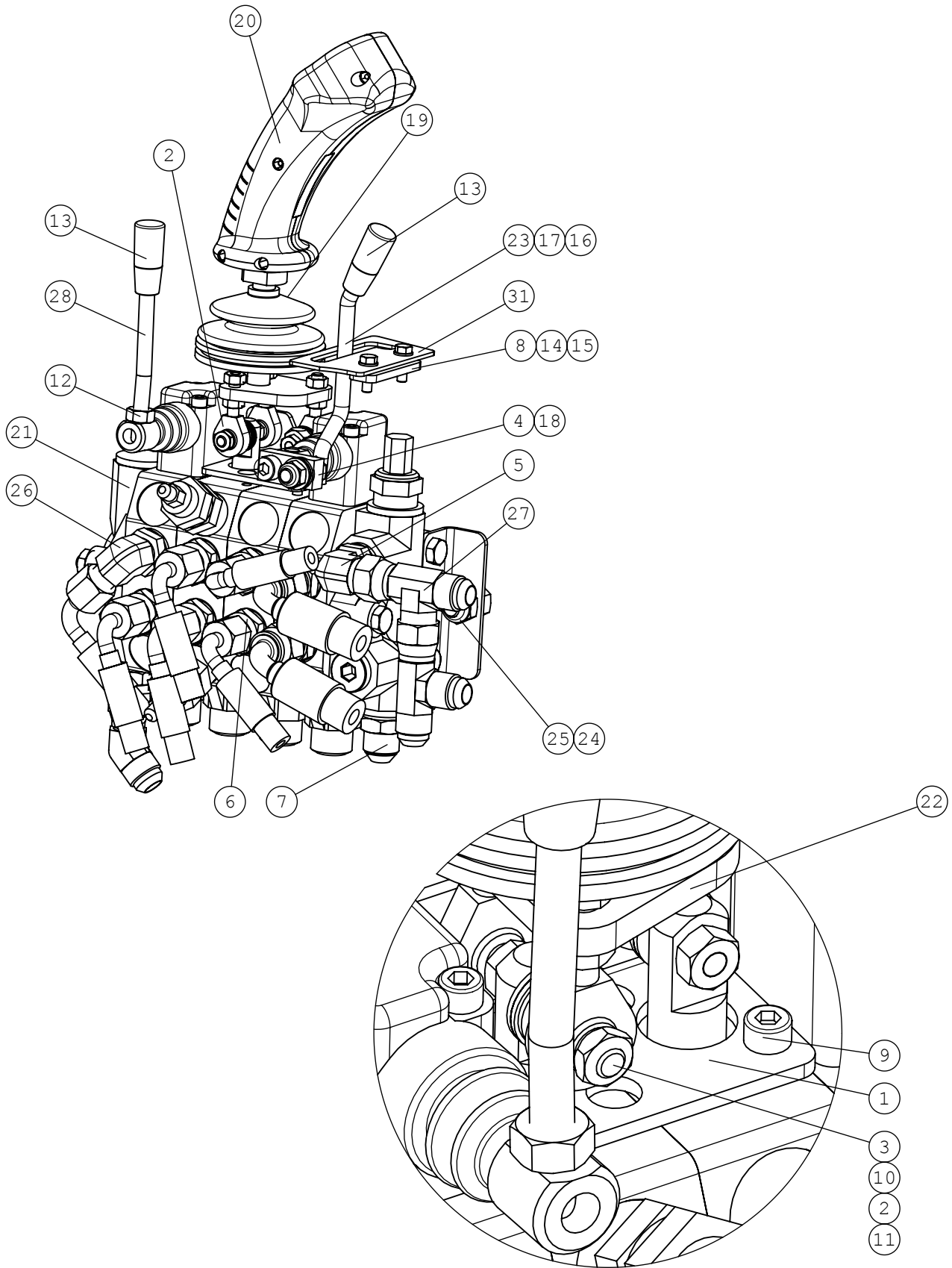
15.6.2023

**A413893 HYDRAULIC OIL COOLER, COMPLETE ASSEMBLY**

REF	PART NO	QTY	DESCRIPTION	NOTES	PAGE
1	A47768	1	BRACKET, OIL COOLER, LOWER		-
2	A436513	1	MOUNTING BRACKET OIL COOLER, ADJUSTABLE		-
3	64934	1	OIL COOLER CELL ASA 350*350*45		-
4	65568	1	FAN, HYDRAULIC OIL COOLER COMEX F48-		-
5	A413994	1	DECAL, RELAYS		-
6	64693	1	ELBOW FITTING 90 DEGR. C40XS16-3/4"		-
7	A47682	1	HYDR. HOSE L=280 1LW-10 JIC16-JIC16 90		-
8	A49182	1	INLET HOSE D=20 L=550		-
9	66427	1	HOSE BARB R3/4"UK - 20MM		-
10	73530	1	HOSE CLAMP 22-32 MM		-
11	64157	1	SIGNAL HORN COMPLETE		-
12	73039	4	HEXAGONAL SCREW M 8*16 DIN 933 ZN		-
13	72130	2	HEXAGONAL SCREW M8*20		-
14	73122	13	WASHER M8 A8,4 DIN 125 ZN		-
15	73443	2	HEXAGONAL SCREW M8*35		-
16	72319	1	HEXAGONAL NUT M8 DIN 934		-
17	72133	1	HEXAGONAL SCREW M8*30 DIN 933		-
18	A440802	2	RELAY MOUNTING RAIL FOR MINI AND MICRO		-
19	A413262	2	BUSHING F19/F10, FLOOR RAISING, 700 SERI		-
20	A442641	2	CABLE TIE 7,6*390 M8 BLACK		-
21	A440983	1	DECAL, RELAY MOUNTING RAIL		-

15.6.2023

# A34281 CONTROL VALVE COMPLETE 420 HDS11/4



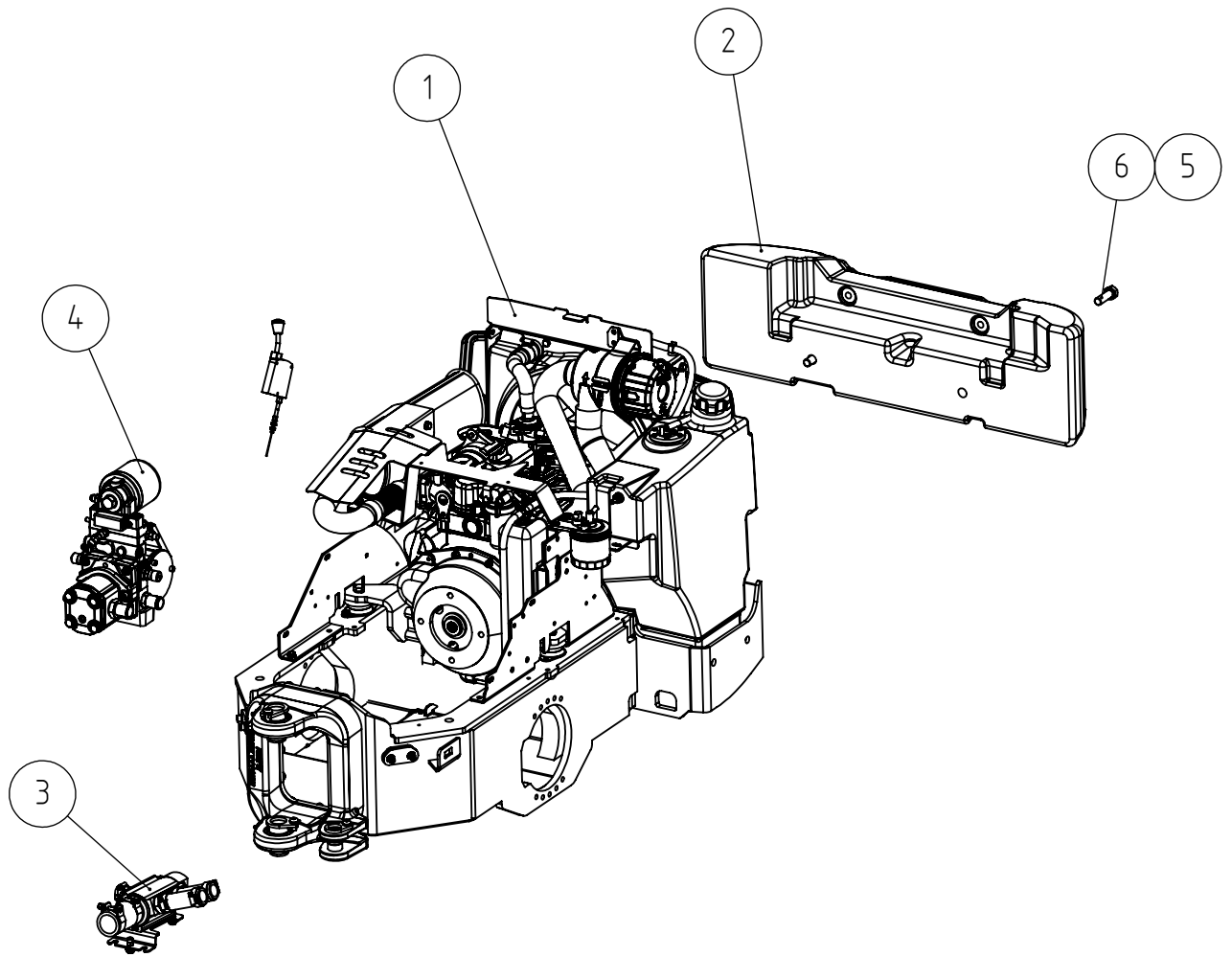
15.6.2023

**A34281 CONTROL VALVE COMPLETE 420 HDS11/4**

REF	PART NO	QTY	DESCRIPTION	NOTES	PAGE
1	A42838	1	BRACKET, LINKAGE CONTROL LEVER		-
2	63690	3	ROD END BEARING ASAHI JAM 6		-
3	A41821	2	PIN, CONTROL LEVERS		-
4	A43092	1	CONNECTING PIECE, CONTROL LEVER		-
5	64068	1	ELBOW FITTING 90 DEGR. C40XS12-3/8 /8		-
6	64041	5	BASIC FITTING F40XS10-3/8 /8		-
7	64042	4	BASIC FITTING F40XS12-3/8 /8		-
8	A48360	1	LOCKING PIECE		-
9	74472	2	HEXAGONAL HEAD SCREW M 5*16 DIN 912 ZN		-
10	A41822	2	LEVERAGE NUT M 6		-
11	63944	2	WASHER, PAIR, NORD-LOCK M8		-
12	72319	1	HEXAGONAL NUT M8 DIN 934		-
13	74761	3	KNOB, CONTROL LEVER		-
14	72110	2	HEX. SCREW M5*16 DIN 933		-
15	74448	2	WASHER M5 A5,3 DIN 125 ZN		-
16	73122	2	WASHER M8 A8,4 DIN 125 ZN		-
17	72320	1	HEXAGONAL NUT M8 NYLOC DIN 985		-
18	74481	1	HEXAGONAL HEAD SCREW M8*20 DIN 912 ZN		-
19	74327	1	RUBBER COVER, CONTROL LEVER, F12/56*40		-
20	A410556	1	JOYSTICK HANDLE HB000		-
21	A410613	1	CONTROL VALVE HDS 11/4		-
22	A410614	1	BRACKET ROD, CONTROL LEVER		-
23	A410950	1	CONTROL LEVER, AUX. HYDR.		-
24	73040	2	HEXAGONAL SCREW M10*20 DIN 933 ZN		-
25	72322	2	HEXAGONAL NUT M 10 NYLOC DIN 985		-
26	64044	1	ELBOW FITTING 90° C40XS10-3/8 /8		-
27	64050	2	L-FITTING BODY R6XS12		-
28	A411056	1	CONTROL LEVER, TELESCOPIC BOOM		-

15.6.2023

# A21742 REAR CHASSIS 523, ASSEMBLY





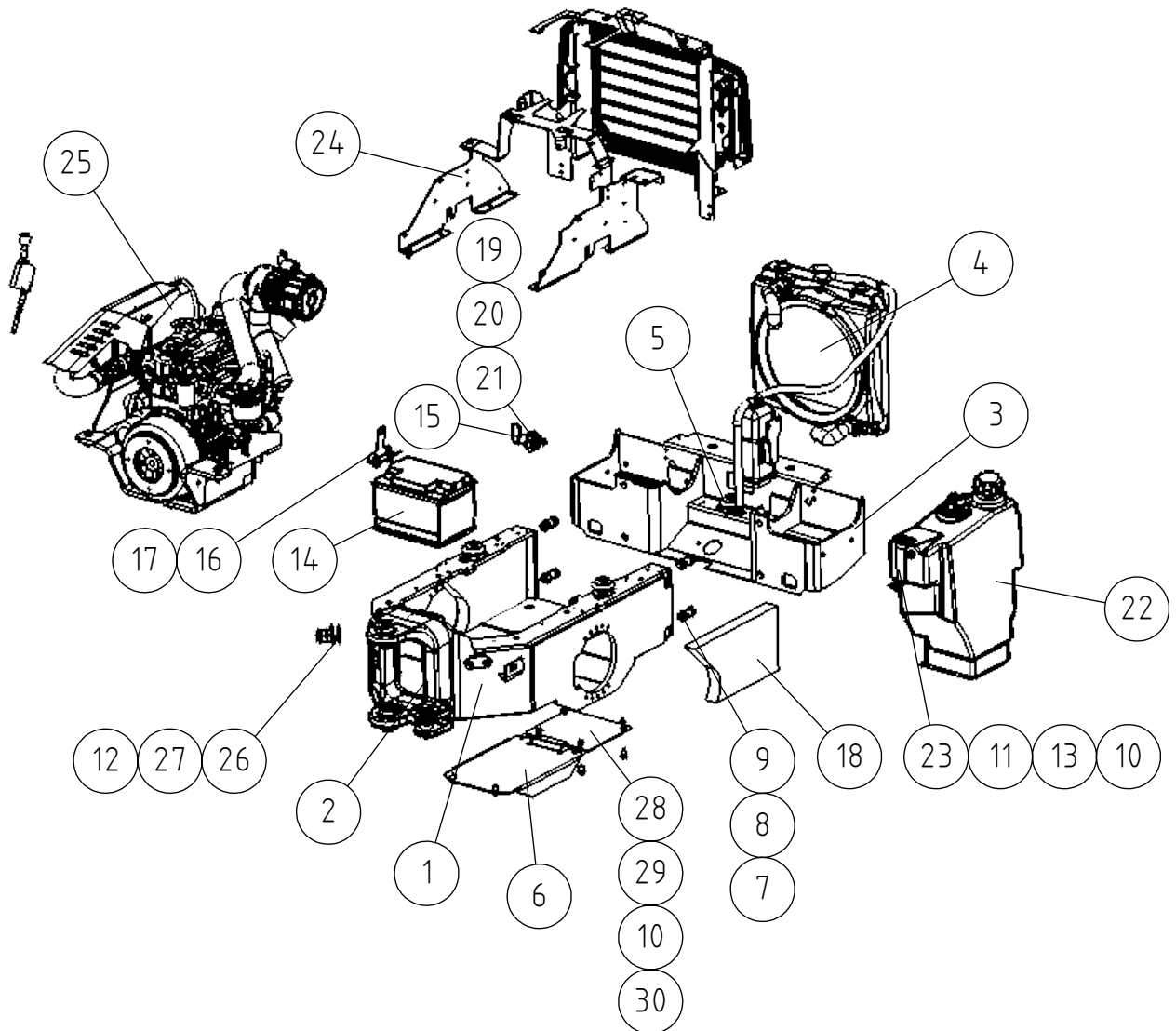
15.6.2023

**A21742 REAR CHASSIS 523, ASSEMBLY**

REF	PART NO	QTY	DESCRIPTION	NOTES	PAGE
1	A21740	1	REAR FRAME		34
2	A36909	1	REAR WEIGHT (BUMPER) 160 KG, ASSEMBLY		52
3	A427064	1	HYDRAULIC MANIFOLD, COMPLETE KIT 500 OPT		54
4	A431698	1	HYDRAULIC PUMPS ASSEMBLY 523 OPTIDRIVE		56
5	74533	2	WASHER, PAIR, M16 NL16 NORDLOCK		-
6	72193	2	HEXAGONAL SCREW M16* 50 DIN 933		-

15.6.2023

# A21740 REAR FRAME



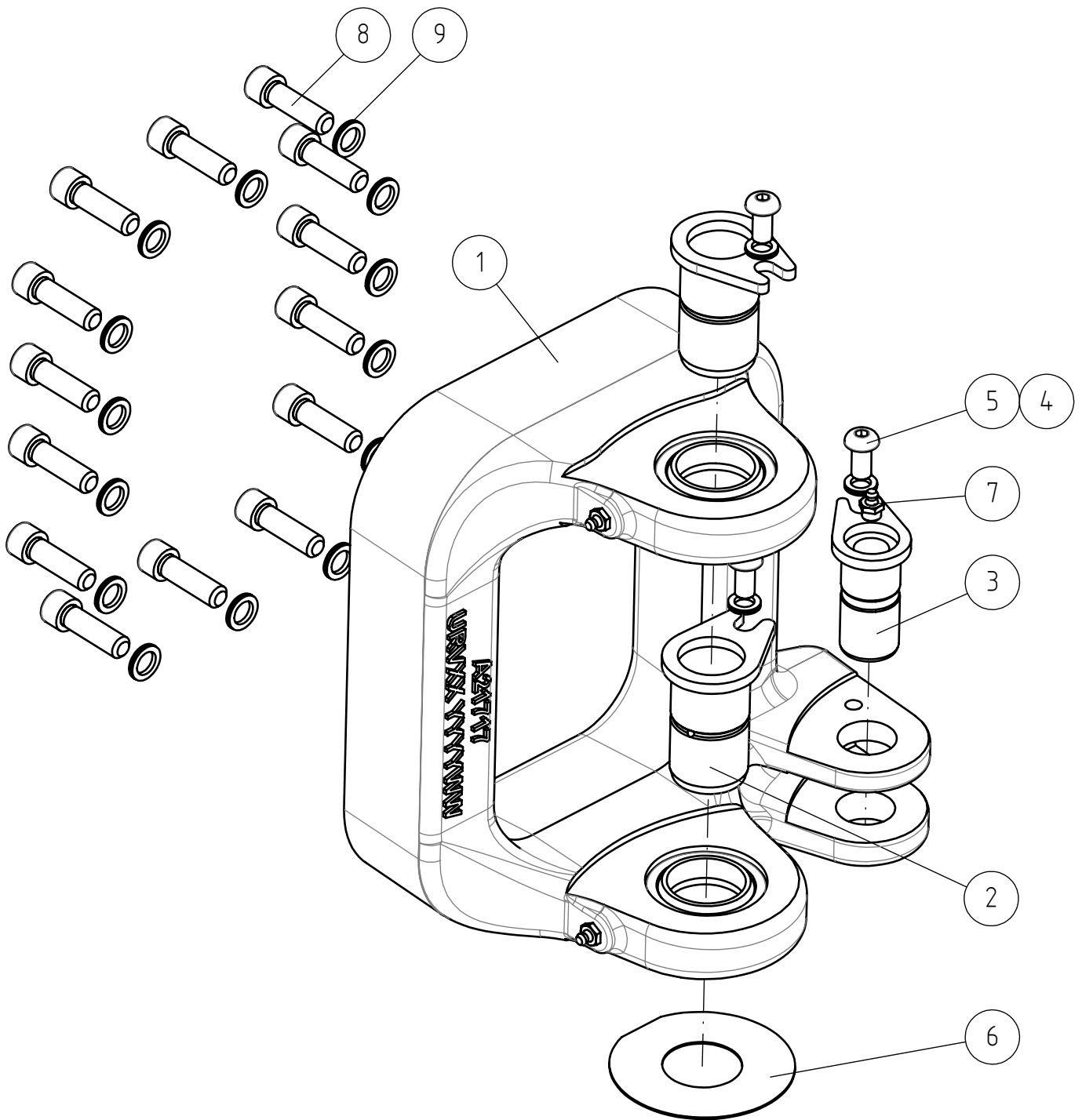
15.6.2023

**A21740 REAR FRAME**

REF	PART NO	QTY	DESCRIPTION	NOTES	PAGE
1	A434401	1	REAR FRAME, FRONT PART ASSEMBLY		-
2	A37449	1	ARTICULATION JOINT ASSEMBL REAR FRAME		36
3	A37342	1	BACK FRAME, MIDDLE PART		-
4	A422702	1	RADIATOR 423/523, D902, ASSEMBLY		38
5	64843	3	ENGINE MOUNT NOVIBRA RAB-3		-
6	A446658	1	SERVICE HATCH 400-700 SERIES		-
7	72193	4	HEXAGONAL SCREW M16* 50 DIN 933		-
8	74533	8	WASHER, PAIR, M16 NL16 NORDLOCK		-
9	72329	4	HEXAGONAL NUT M 16 DIN 934		-
10	73122	8	WASHER M8 A8,4 DIN 125 ZN		-
11	72130	6	HEXAGONAL SCREW M8*20		-
12	63944	9	WASHER, PAIR, NORD-LOCK M8		-
13	72319	3	HEXAGONAL NUT M8 DIN 934		-
14	64844	1	BATTERY 12V 60AH 430A 097 241*175*175 MM		-
15	64141	1	BATTERY DISCONNECT SWITCH C-180216		-
15.1	64394	1	KEY, BATTERY DISCONNECT SWITCH C-180216		-
16	A437653	1	BRACKET, BATTERY 700-800 SER		-
17	A429202	2	HEXAGONAL SERRATED SCREW M8*25 WITH FLAN		-
18	A423127	2	NOISE INSULATION PLATE, REAR FRAME		-
19	72118	2	HEXAGONAL SCREW M6*20 DIN 933		-
20	71680	4	WASHER M6 DIN 125		-
21	72317	2	HEXAGONAL NUT M6 DIN 934		-
22	A48669	1	FUEL TANK 20 L, COMPLETE		40
23	A49560	1	MOUNTING BRACKET, FUEL TANK 20L		-
24	A37475	1	MOUNTING BRACKETS, COVER PLATES REAR CHA		42
25	A37338	1	ENGINE D902 ASSEMBLY		44
26	A442049	4	STOP PLATE STEERING		-
27	74918	4	HEXAGONAL HEAD SCREW M8*40 DIN 912		-
28	A451009	1	SERVICE HATCH REAR FRAME 423/523		-
29	74836	4	CARRIAGE BOLT M8*20		-
30	72320	4	HEXAGONAL NUT M8 NYLOC DIN 985		-

15.6.2023

# A37449 ARTICULATION JOINT ASSEMBL REAR FRAME



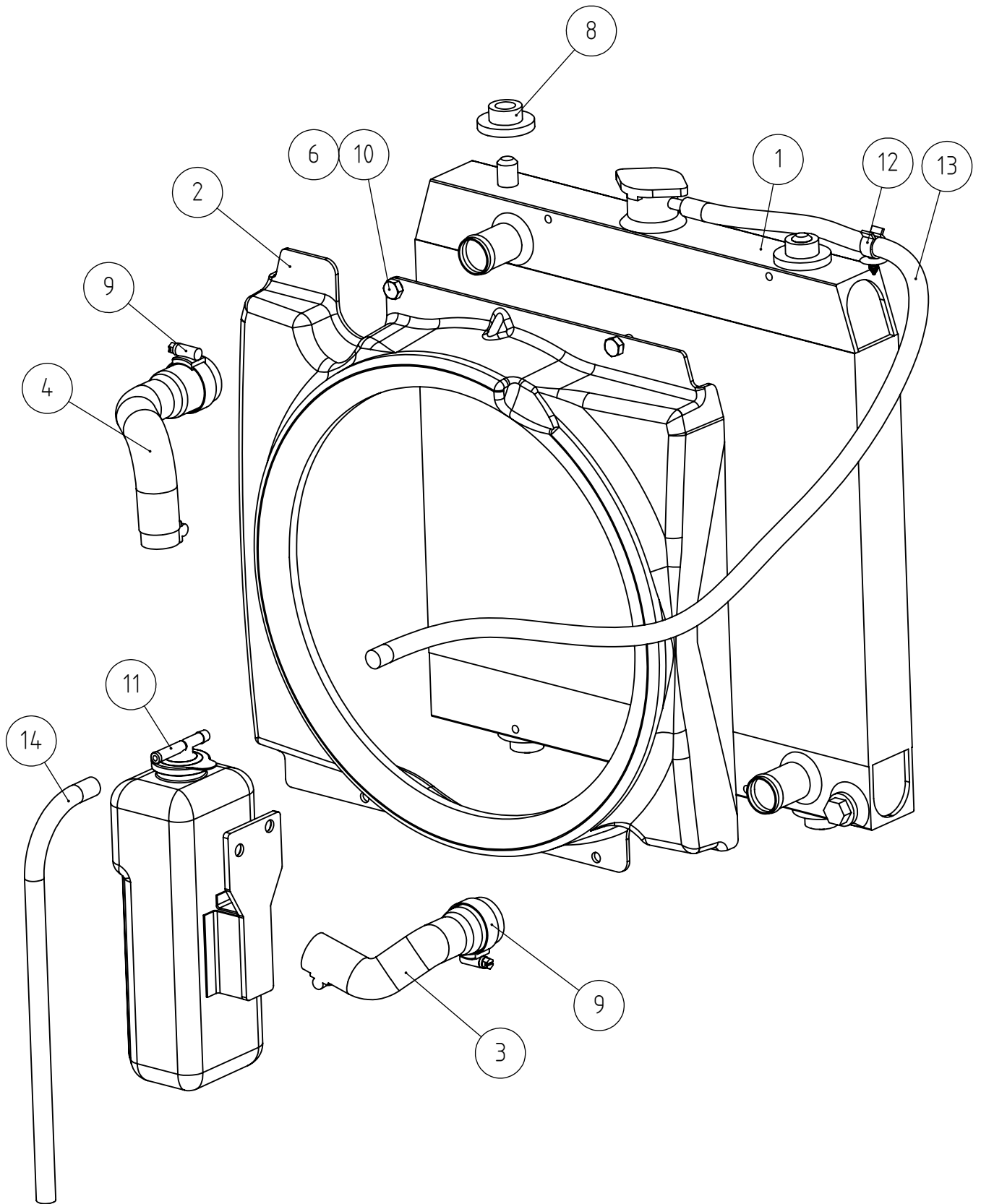
15.6.2023

**A37449 ARTICULATION JOINT ASSEMBL REAR FRAME**

REF	PART NO	QTY	DESCRIPTION	NOTES	PAGE
1	A444363	1	ARTICULATION JOINT CAST STEEL, ASSEMBLY		-
1.1	64911	2	ARTICUL. BEARING GE40ES F62/40-28(22)		-
2	72798	1	GREASE NIPPLE R 1/8" STRAIGHT		-
3	A47043	2	PIVOT PIN F40-63		-
4	A47655	1	PIVOT PIN F30-60		-
5	74531	3	SPACER NORDLOCK M10, PAIR		-
6	A437915	3	HEXAGONAL HEAD SCREW M10*20 10.9 2		-
7	A48263	1	SHIM RING S=1 MM, ARTICULATION JOINT		-
8	A437018	14	HEXAGONAL HEAD SCREW M12*40 12.9		-
9	74532	14	WASHER NORDLOCK NL12		-

15.6.2023

# A422702 RADIATOR 423/523, D902, ASSEMBLY



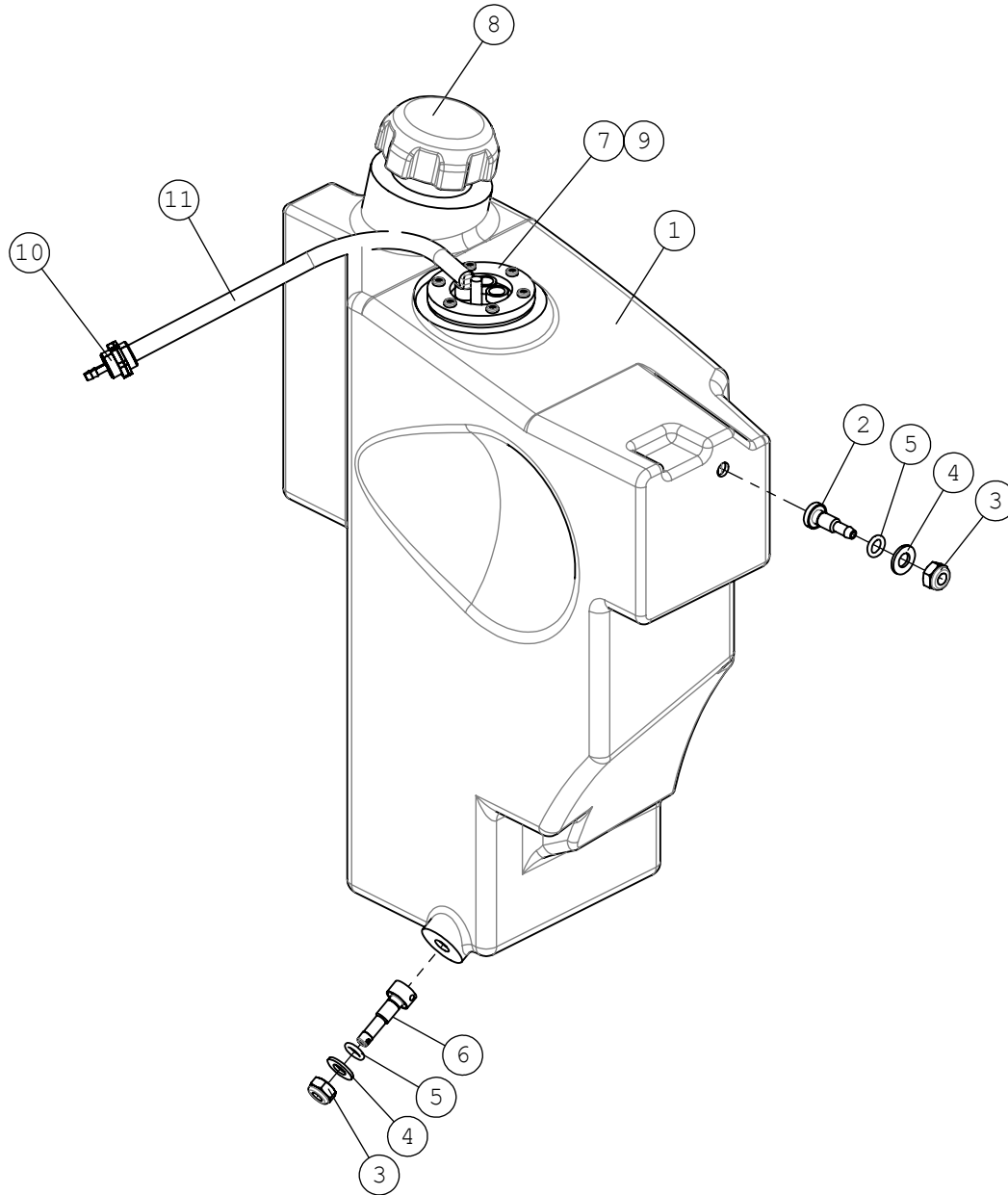
15.6.2023

**A422702 RADIATOR 423/523, D902, ASSEMBLY**

REF	PART NO	QTY	DESCRIPTION	NOTES	PAGE
1	A422612	1	RADIATOR D902		-
1.1	A436407	1	CAP, RADIATOR 0.9BAR		-
2	A442893	1	WIND TUNNEL 423/523		-
3	A415803	1	RADIATOR HOSE LOWER		-
4	A415802	1	RADIATOR HOSE UPPER		-
5	73039	1	HEXAGONAL SCREW M 8*16 DIN 933 ZN		-
6	74530	2	WASHER NORDLOCK NL6		-
7	73530	2	HOSE CLAMP 22-32 MM		-
8	A420381	4	VIBRATION DAMPER RUBBER RADIATOR		-
9	73809	2	HOSE CLAMP 32-44 MM		-
10	75000	1	HEXAGONAL SCREW M8*10 DIN 933		-
11	65067	1	OVERFLOW TANK 1,30 L RADIATOR KUBOTA		-
12	A428260	1	PIPE CLIP D13-D14		-
13	A428264	1	FUEL HOSE L=900		-
14	A422532	1	FUEL HOSE L=350		-

15.6.2023

# A48669 FUEL TANK 20 L, COMPLETE





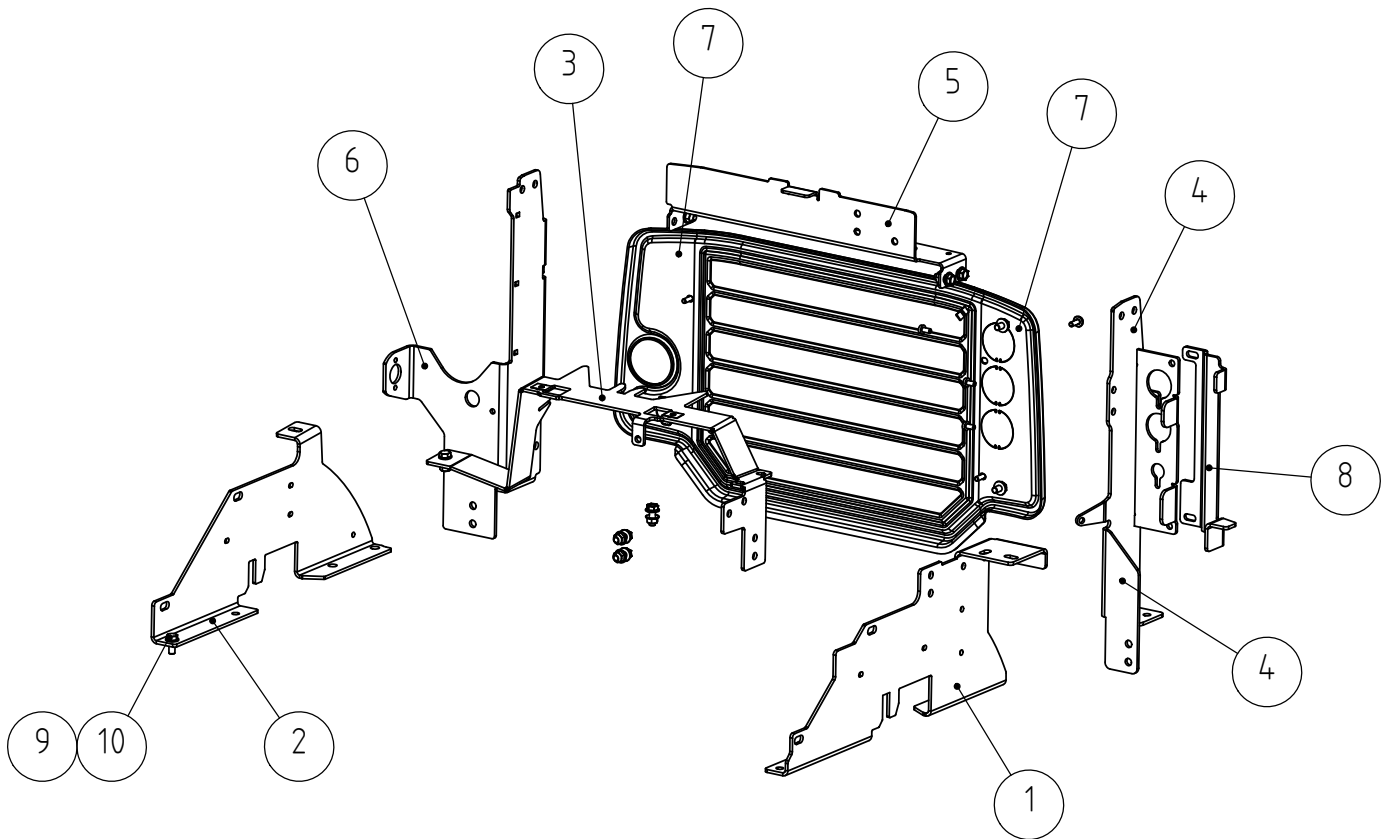
15.6.2023

**A48669 FUEL TANK 20 L, COMPLETE**

REF	PART NO	QTY	DESCRIPTION	NOTES	PAGE
1	A48676	1	FUEL TANK 20 LITRES		-
2	A43531	1	NIPPLE F7MM		-
3	72322	2	HEXAGONAL NUT M 10 NYLOC DIN 985		-
4	73121	2	WASHER M10 A10,5 DIN 125 ZN		-
5	74774	2	O-RING NBR F 10*3		-
6	A431880	1	NIPPLE 7,9MM FUEL TANK		-
7	65088	1	SENSOR, FUEL GAUGE		-
7.1	A435545	1	SEAL RING FUEL SENSOR 72/48-5		-
8	66313	1	FUEL TANK CAP		-
9	75130	6	THREAD-FORMING SCREW M5*25		-
10	A422526	1	CHECK VALVE FUEL TANK		-
11	A422532	1	FUEL HOSE L=350		-

15.6.2023

# A37475 MOUNTING BRACKETS, COVER PLATES REAR CHA



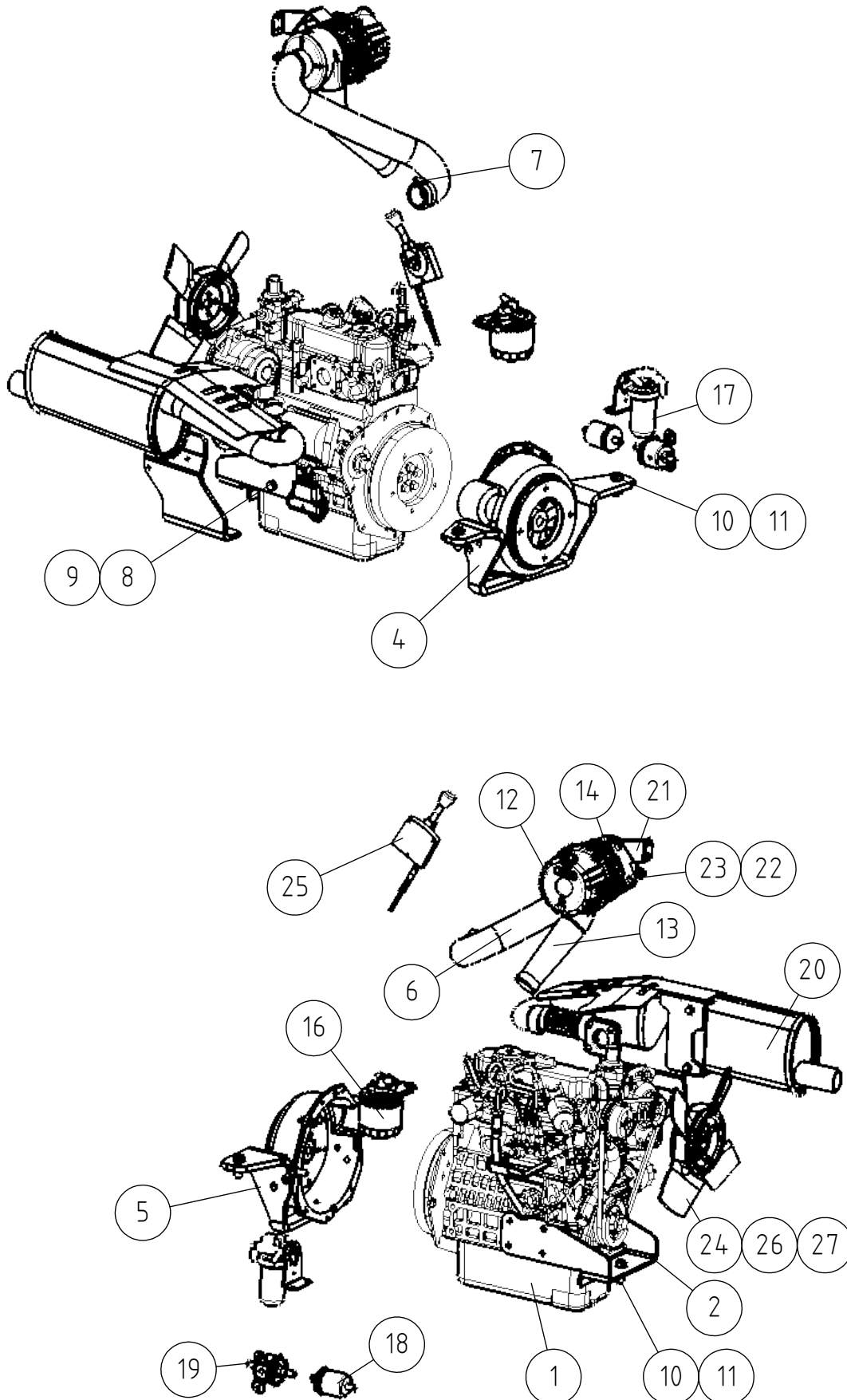
15.6.2023

**A37475 MOUNTING BRACKETS, COVER PLATES REAR CHA**

REF	PART NO	QTY	DESCRIPTION	NOTES	PAGE
1	A414852	1	SIDE PLATE, LEFT		-
2	A414919	1	SIDE PLATE, RIGHT		-
3	A444467	1	MOUNTING BRACKET FUEL FILTER & COVER		-
4	A423202	1	FRAME, LEFT		-
5	A425000	1	BRACKET, UPPER		-
6	A423201	1	FRAME, RIGHT		-
7	A423004	1	REAR GRILLE 420-523		-
8	A423027	1	BRACKET, FUEL TANK		-
9	73122	3	WASHER M8 A8,4 DIN 125 ZN		-
10	72130	2	HEXAGONAL SCREW M8*20		-
11	72319	1	HEXAGONAL NUT M8 DIN 934		-
12	74807	2	SPEED NUT M6, FOR 0.5-4.0 MM PLATE		-
13	74768	4	WASHER CONICAL M6		-
14	74767	4	RAISED COUNTERSUNK HEAD SCREW M6*20		-
15	A444170	3	THREAD-FORMING SCREW M6*12 DIN 7500CE		-
16	A429197	2	HEXAGONAL SERRATED SCREW M8*12 W. FLANGE		-
17	A450046	9	HEXAGONAL NUT M8 WITH FLANGE		-
18	A429201	9	HEXAGONAL SERRATED SCREW M8*20 WITH FLAN		-

15.6.2023

# A37338 ENGINE D902 ASSEMBLY



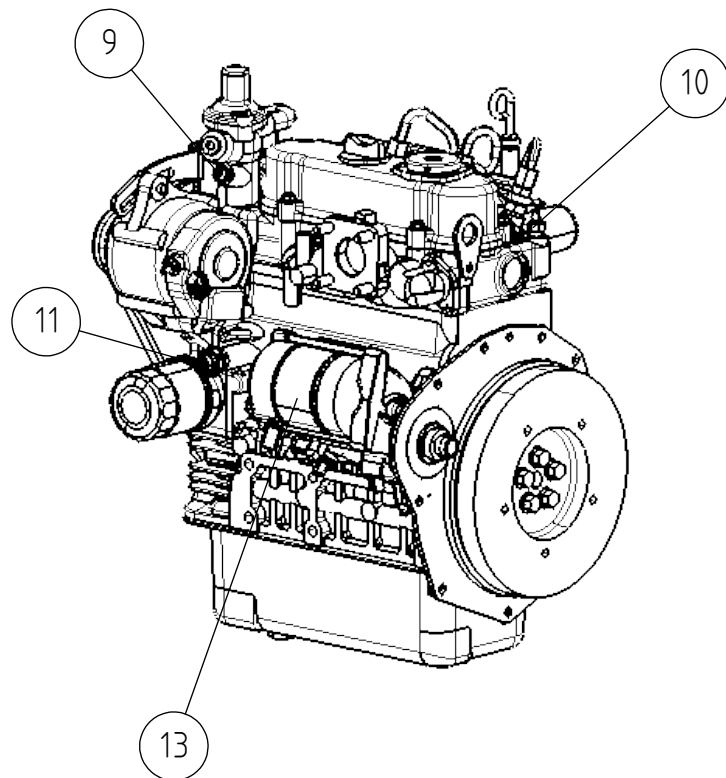
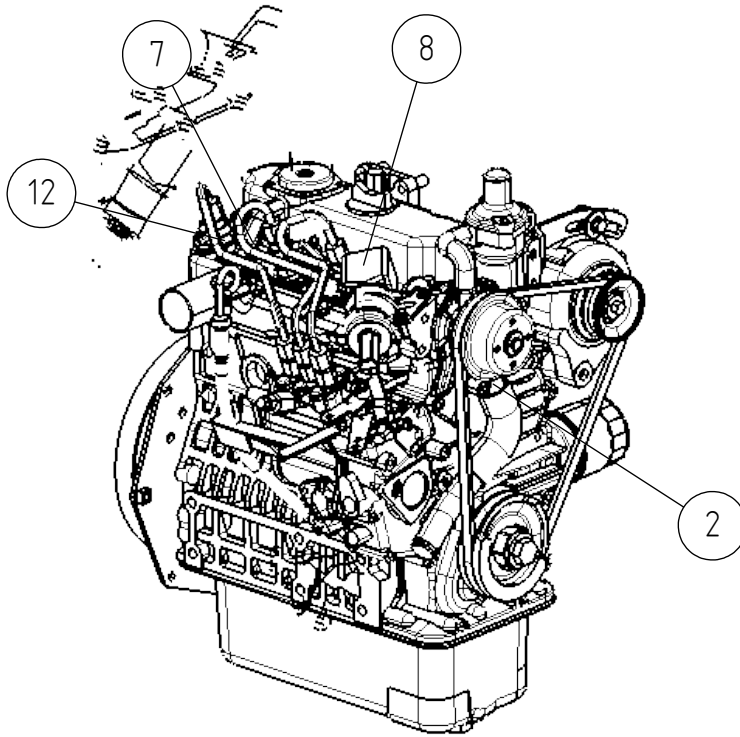
15.6.2023

**A37338 ENGINE D902 ASSEMBLY**

REF	PART NO	QTY	DESCRIPTION	NOTES	PAGE
1	66511	1	DIESEL ENGINE KUBOTA D902 WITHOUT		46
1.1	64430	1	TRAPEZ. BELT GENERATOR KUBOTA Z482/D722		-
1.2	64486	1	SENSOR, TEMP. GAUGE COBO		-
1.3	64207	1	ENGINE OIL FILTER KUBOTA Z482/D722		-
1.4	65522	1	STOP SOLENOID D722 17520-60012		-
1.5	A443823	1	TEMPERATURE SWITCH 82°C KUBOTA D902		-
1.6	A444459	1	TEMPERATURE SWITCH 115° C KUBOTA		-
2	A422557	1	MOUNTING BRACKET MIDDLE, ENGINE D902/523		-
3	A422594	1	FLYWHEEL HOUSING D902		48
4	A422598	1	MOUNTING BRACKET FRONT, ENGINE D902		-
5	A422559	1	MOUNTING BRACKET LEFT, ENGINE D902/523		-
6	A422657	1	INLET HOSE FROM AIR FILTER D902		-
7	64338	1	HOSE CLAMP ABA 44-56 MM		-
8	74531	4	SPACER NORDLOCK M10, PAIR		-
9	74789	4	HEXAGONAL SCREW M10*1,25-20		-
10	73042	3	HEX. SCREW M12*35 DIN 933 ZN		-
11	74532	3	WASHER NORDLOCK NL12		-
12	66469	1	AIR FILTER, COMPLETE, D902, 423/523		-
12.1	66516	1	AIR FILTER CARTRIDGE 423/523 KUBOTA D902		-
13	A419968	1	SUCTION DAMPER AIR FILTER 420-523		-
14	66468	1	CLAMP, AIR FILTER 66469		-
15	A422710	1	FUEL HOSE ASSEMBLY D902 423/523		-
16	64868	1	FUEL FILTER, KIT 16613-43001		-
16.1	64626	1	FUEL FILTER CARTRIDGE 15221-4308-0		-
17	64920	1	WATER SEQUESTER, KIT, KUBOTA 16614-43001		-
18	64657	1	FUEL FILTER IN HOSE 12581-43012 D1105		-
19	64625	1	FUEL PUMP ELECTR.		-
20	A37374	1	EXHAUST MUFFLER ASSEMBLY D902 423/523		50
21	A422697	1	BRACKET, AIR FILTER		-
22	72319	2	HEXAGONAL NUT M8 DIN 934		-
23	75131	2	BUTTON HEAD SOCKET CAP SCREW M8*12 10.9		-
24	66449	1	FAN F315 4 BLADE		-
25	A420564	1	HAND THROTTLE CONTROL DEVICE WITH WIRE		-
25.1	A47712	1	THROTTLE WIRE L=3000/2700		-
26	72117	4	HEXAGONAL SCREW M6*16 DIN 933		-
27	75101	4	SPACER NORDLOCK M6 NL6SP, PAIR		-

15.6.2023

# 66511 DIESEL ENGINE KUBOTA D902 WITHOUT



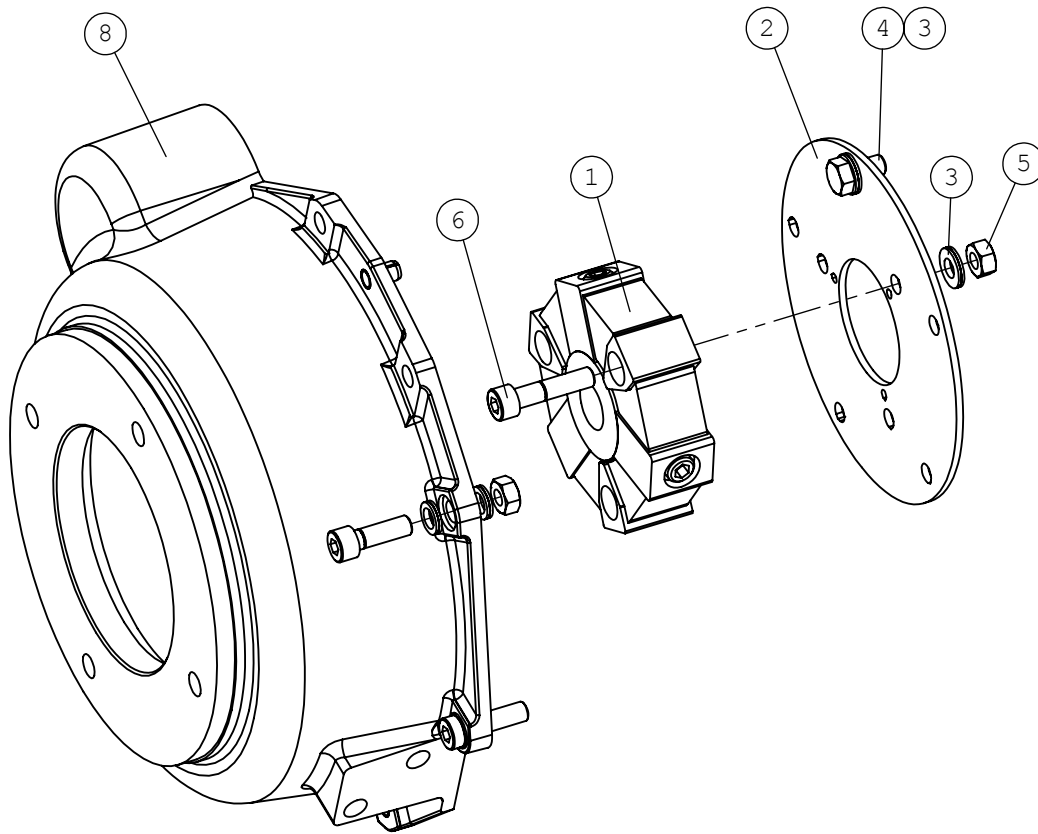
15.6.2023

**66511 DIESEL ENGINE KUBOTA D902 WITHOUT**

REF	PART NO	QTY	DESCRIPTION	NOTES	PAGE
1	66511	1	DIESEL ENGINE KUBOTA D902 WITHOUT		46
1.1	64207	1	ENGINE OIL FILTER KUBOTA Z482/D722		-
2	A451727	1	WATER PUMP KUBOTA D902		-
3	64430	1	TRAPEZ. BELT GENERATOR KUBOTA Z482/D722		-
4	65145	1	ALTERNATOR KUBOTA 40A		-
5	A443823	1	TEMPERATURE SWITCH 82°C KUBOTA D902		-
6	A429739	1	GASKET THERMOSTAT KUBOTA		-
7	64285	3	GLOW PLUG KUBOTA Z482/D722/D1105		-
8	65522	1	STOP SOLENOID D722 17520-60012		-
9	64486	1	SENSOR, TEMP. GAUGE COBO		-
10	A444459	1	TEMPERATURE SWITCH 115° C KUBOTA		-
11	64428	1	OIL PRESSURE SENSOR, Z482/D722		-
12	A451754	3	INJECTOR NOZZLE ASSEMBLY D902		-
13	64654	1	STARTER MOTOR KUBOTA D722 1,4 KW		-
14	A432222	1	SEAL KIT VALVE ROD		-
-	64430	1	TRAPEZ. BELT GENERATOR KUBOTA Z482/D722		-
-	64486	1	SENSOR, TEMP. GAUGE COBO		-
-	64207	1	ENGINE OIL FILTER KUBOTA Z482/D722		-
-	65522	1	STOP SOLENOID D722 17520-60012		-
-	A443823	1	TEMPERATURE SWITCH 82°C KUBOTA D902		-
-	A444459	1	TEMPERATURE SWITCH 115° C KUBOTA		-

15.6.2023

# A422594 FLYWHEEL HOUSING D902





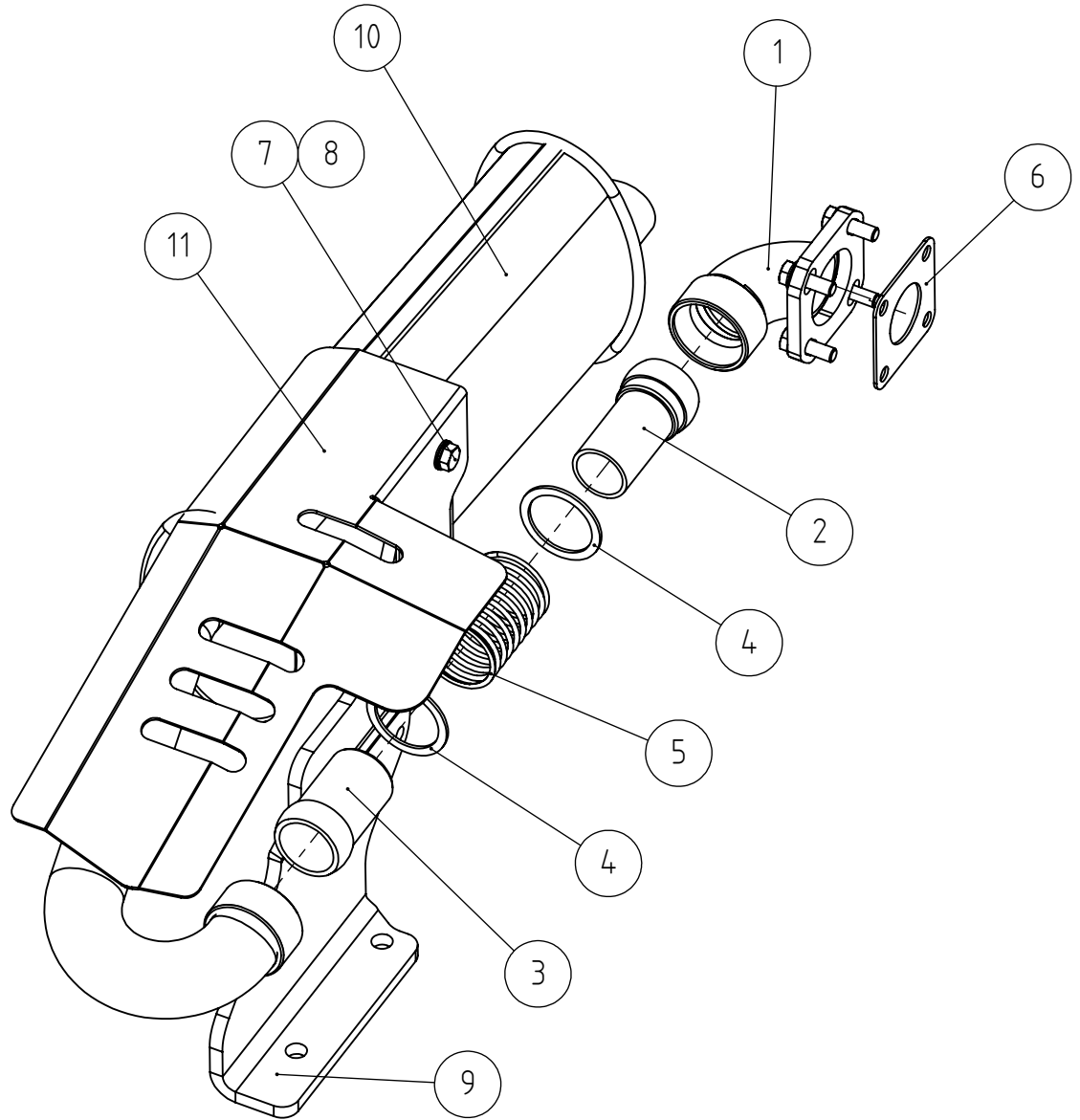
15.6.2023

**A422594 FLYWHEEL HOUSING D902**

REF	PART NO	QTY	DESCRIPTION	NOTES	PAGE
1	64686	1	COUPLING CENTAFLEX A004-1-AVANT3 Z=13		-
2	A422593	1	ADAPTER FLANGE TO CENTAFLEX 43 COUPLING		-
3	63944	2	WASHER, PAIR, NORD-LOCK M8		-
4	73039	1	HEXAGONAL SCREW M 8*16 DIN 933 ZN		-
5	72319	2	HEXAGONAL NUT M8 DIN 934		-
6	74482	1	HEXAGONAL HEAD SCREW M8* 35 DIN 912		-
7	73100	1	HEXAGONAL HEAD SCREW M8*30 DIN 912 2		-
8	66502	1	FLYWHEEL HOUSING KUBOTA SAE B		-
9	75100	3	SPACER NORDLOCK M8 NL8, PAIR		-
10	71884	1	HEXAGONAL HEAD SCREW M 8*25 DIN 912 2		-

15.6.2023

**A37374 EXHAUST MUFFLER ASSEMBLY D902 423/523**



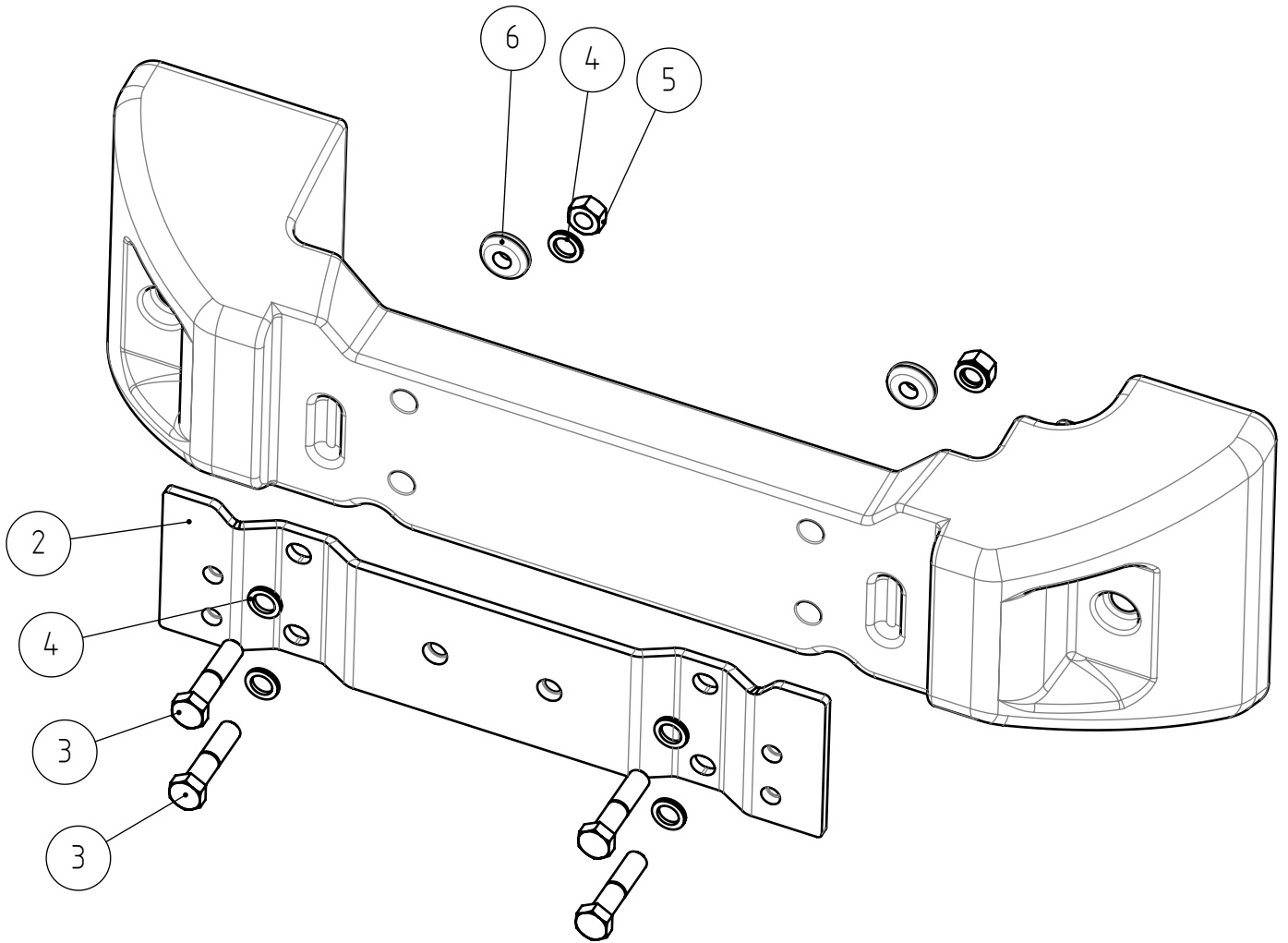
15.6.2023

**A37374 EXHAUST MUFFLER ASSEMBLY D902 423/523**

REF	PART NO	QTY	DESCRIPTION	NOTES	PAGE
1	A48482	1	CONNECTING PIPE, EXHAUST MUFFLER		-
2	A46003	1	EXHAUST PIPE, INNER		-
3	A46004	1	EXHAUST PIPE, OUTER		-
4	A46002	2	RING		-
5	A46005	1	SPRING 3*41*140 NT 8,5		-
6	64280	1	SEAL, EXHAUST PIPE, KUBOTA Z482/D722		-
7	72133	2	HEXAGONAL SCREW M8*30 DIN 933		-
8	63944	6	WASHER, PAIR, NORD-LOCK M8		-
9	A435131	1	BRACKET EXHAUST MUFFLER 400/500 SERIES		-
10	A37364	1	EXHAUST MUFFLER D902		-
10.1	A424843	1	EXHAUST PURIFIER 423/523		-
11	A420183	1	HEAT SHIELD EXHAUST PIPE		-
12	72132	4	HEXAGONAL SCREW M 8*25 DIN 933 ZN		-

15.6.2023

# A36909 REAR WEIGHT (BUMPER) 160 KG, ASSEMBLY



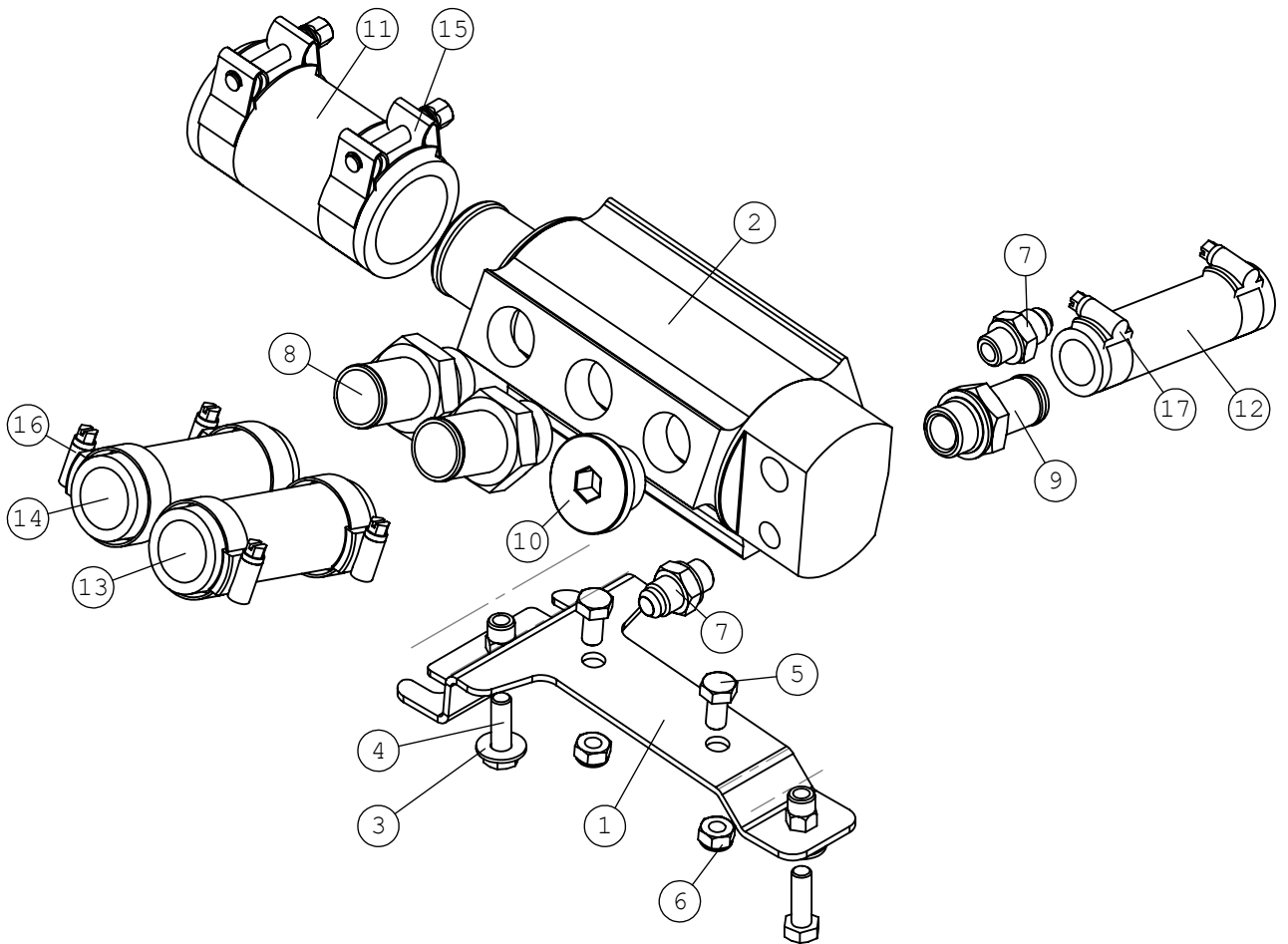
15.6.2023

**A36909 REAR WEIGHT (BUMPER) 160 KG, ASSEMBLY**

REF	PART NO	QTY	DESCRIPTION	NOTES	PAGE
1	A443369	1	REAR WEIGHT (BUMPER) 155 KG 500/600		-
2	A419683	1	MOUNTING PLATE, BACK WEIGHT 29 KG		-
3	72196	4	HEXAGONAL SCREW M16*70		-
4	74533	6	WASHER, PAIR, M16 NL16 NORDLOCK		-
5	72329	2	HEXAGONAL NUT M 16 DIN 934		-
6	A423105	2	PRESS NUT M16 37 MM		-

15.6.2023

# A427064 HYDRAULIC MANIFOLD, COMPLETE KIT 500 OPT



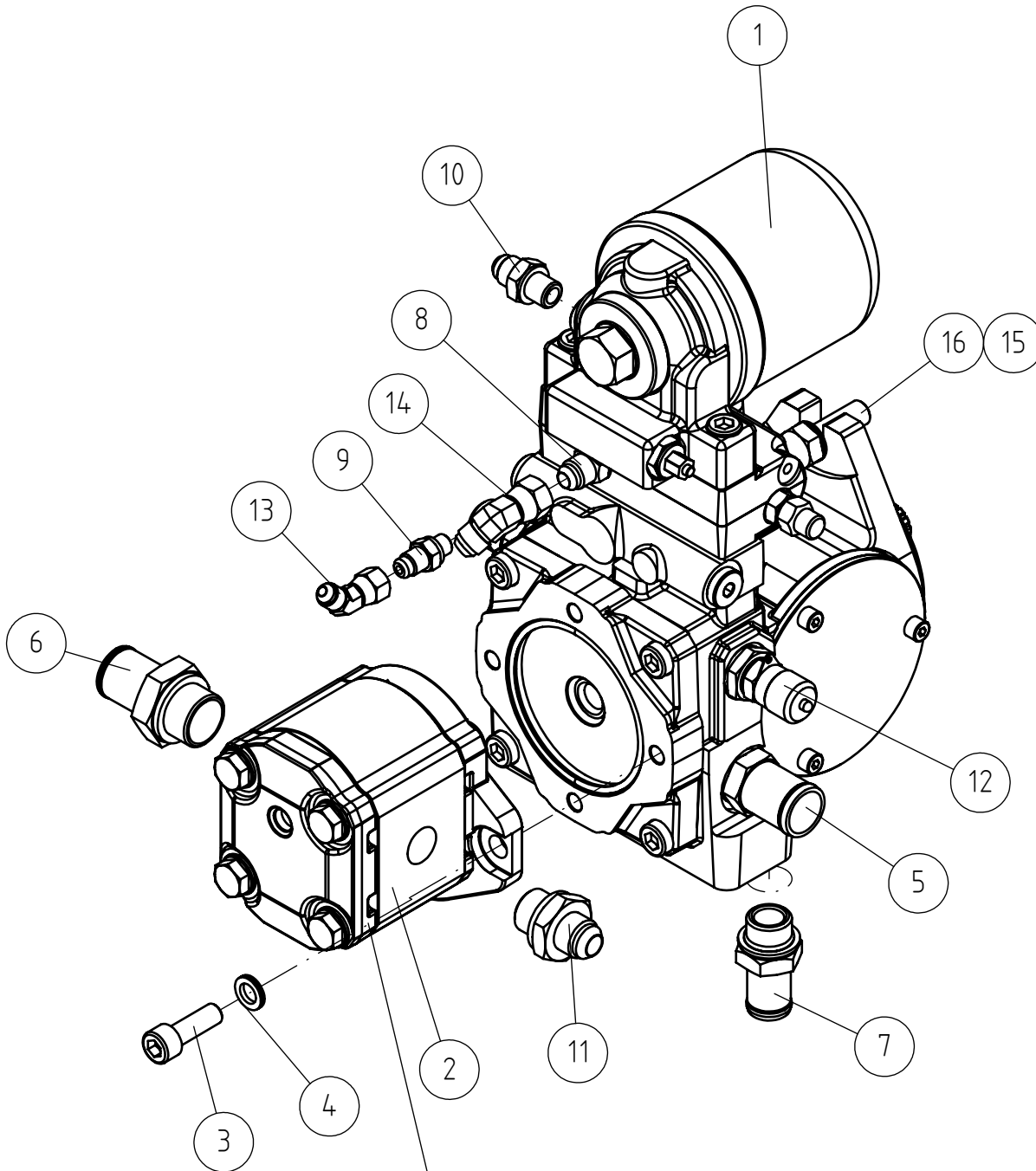
15.6.2023

**A427064 HYDRAULIC MANIFOLD, COMPLETE KIT 500 OPT**

REF	PART NO	QTY	DESCRIPTION	NOTES	PAGE
1	A429660	1	MOUNTING BRACKET HYDRAULIC MANIFOLD		-
2	A37587	1	HYDRAULIC MANIFOLD ASSEMBLY 400-700 SER		-
3	74525	2	WASHER M8 8,4*20*1,25 ZN		-
4	72132	2	HEXAGONAL SCREW M 8*25 DIN 933 ZN		-
5	73039	2	HEXAGONAL SCREW M 8*16 DIN 933 ZN		-
6	72320	2	HEXAGONAL NUT M8 NYLOC DIN 985		-
7	64059	2	BASIC FITTING F40XS10-1/4		-
8	66107	2	HOSE BARB R3/4"UK - 25 MM L=58		-
9	66428	1	HOSE BARB R1/2"UK - 20MM		-
10	73768	1	HEXAGONAL PLUG HF-3/4" WITH SEAL		-
11	A47695	1	INLET HOSE F53/F40 - 300		-
12	A427319	1	HYDR. HOSE L=550 D19		-
13	A427080	1	INLET HOSE L=415 D25		-
14	A427074	1	INLET HOSE L=540 D25		-
15	66013	2	PIPE CLAMP POWER-FLEX S-048-		-
16	73809	4	HOSE CLAMP 32-44 MM		-
17	73530	2	HOSE CLAMP 22-32 MM		-

15.6.2023

# A431698 HYDRAULIC PUMPS ASSEMBLY 523 OPTIDRIVE



Pump was rotated 180 degrees  
until week 15/2023



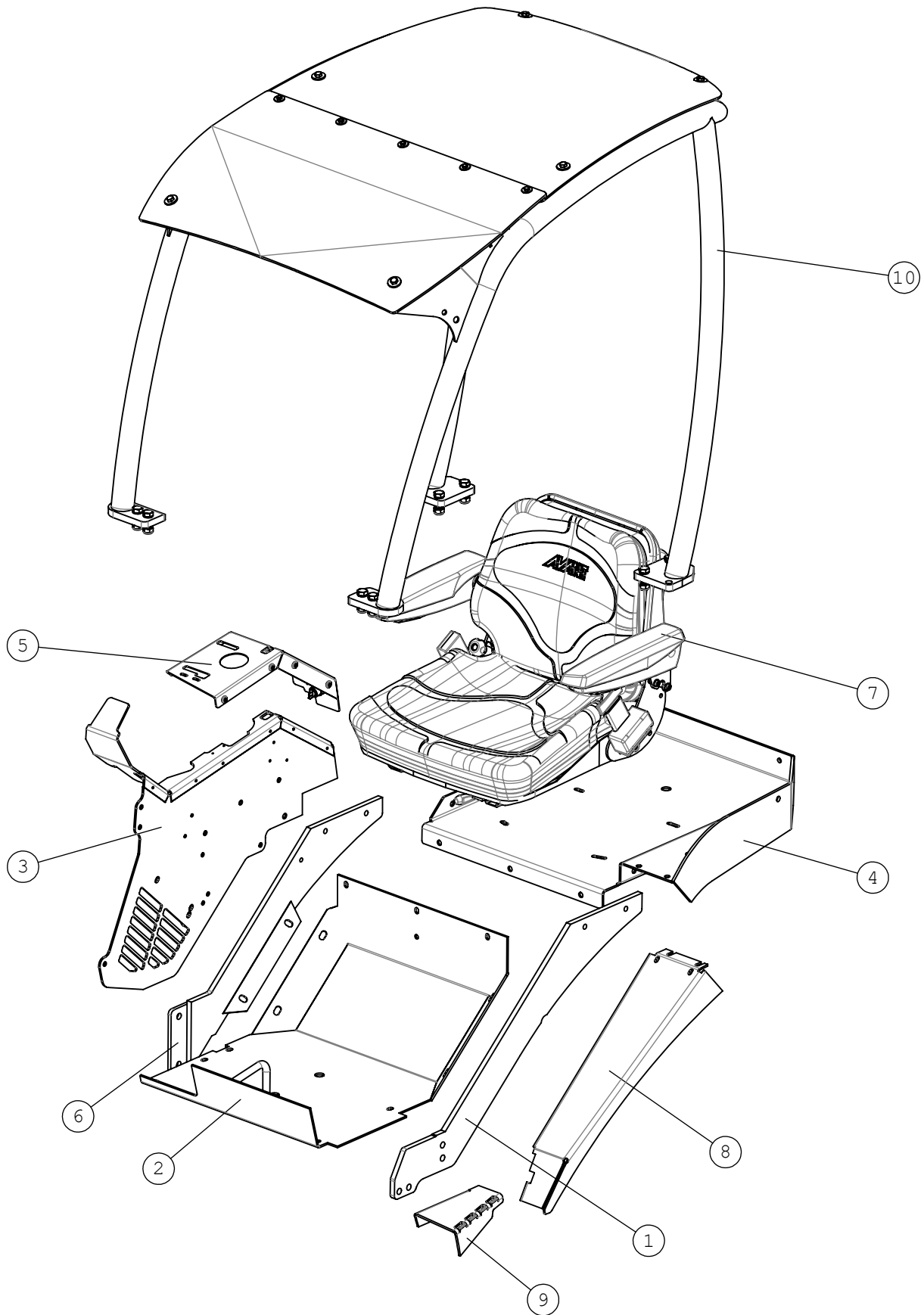
15.6.2023

**A431698 HYDRAULIC PUMPS ASSEMBLY 523 OPTIDRIVE**

REF	PART NO	QTY	DESCRIPTION	NOTES	PAGE
1	66425	1	VARIABLE DISPL. PUMP 528/R28 HP P2A 23		-
1.1	64807	1	PRESSURE FILTER, HYDR. B&P 539047001		-
2	A428338	1	HYDRAULIC PUMP 10 CM3		-
3	74467	2	HEXAGONAL HEAD SCREW M10* 30 DIN 912		-
4	74531	2	SPACER NORDLOCK M10, PAIR		-
5	66240	1	HOSE BARB R1/2"UK-25 MM L=53,5		-
6	66107	1	HOSE BARB R3/4"UK - 25 MM L=58		-
7	66428	1	HOSE BARB R1/2"UK - 20MM		-
8	64346	1	BASIC FITTING F40XS10-1/8"		-
9	64793	2	BASIC FITTING F40XS6-1/8"		-
10	64059	1	BASIC FITTING F40XS10-1/4		-
11	64058	1	BASIC FITTING F40XS12-1/2		-
12	64196	2	MANOMETER FITTING M16*2		-
13	65587	2	ELBOW FITTING 45° UNF 7/16" JIC		-
14	65201	1	ELBOW FITTING 45 DEG. V6SX10		-
15	74532	2	WASHER NORDLOCK NL12		-
16	73042	2	HEX. SCREW M12*35 DIN 933 ZN		-

15.6.2023

# A21713 ROPS/FOPS FRAME COMPLETE



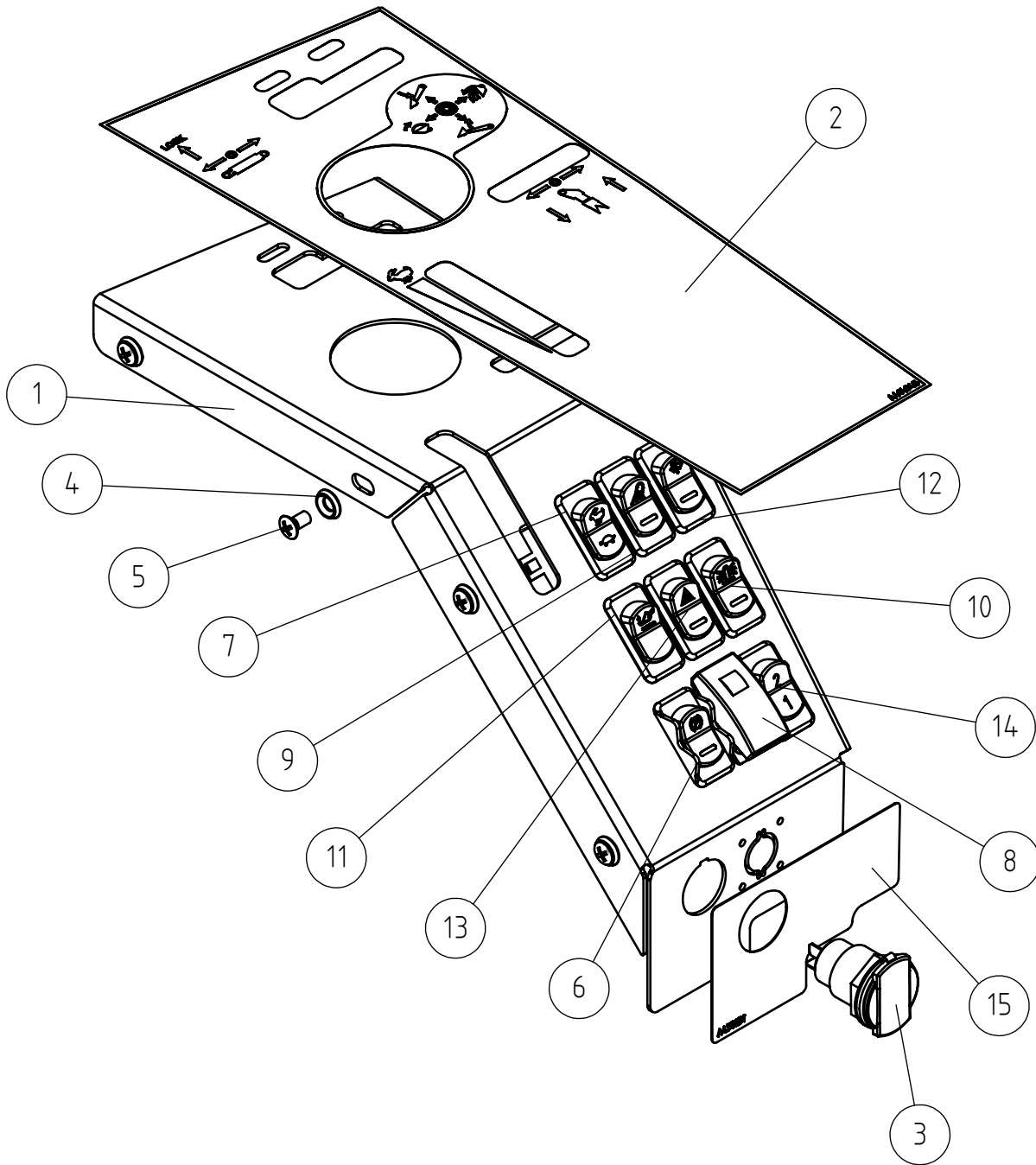
15.6.2023

**A21713 ROPS/FOPS FRAME COMPLETE**

REF	PART NO	QTY	DESCRIPTION	NOTES	PAGE
1	A47834	1	BAR, LEFT		-
2	A47399	1	FLOOR PLATE		-
3	A414937	1	SIDE PLATE, FRONT FRAME		-
4	A48246	1	SEAT BASE		-
5	A440098	1	INSTRUMENT PANEL WITH DECAL 500 SERIES		60
6	A47389	1	BAR, RIGHT		-
7	66180	1	SUSPENSION SEAT GREEN W. DOCBOX BELT ETC		-
7.1	A431743	1	SEAT CUSHION GREEN WITH HEATER TO SEAT		-
8	A47531	1	EDGE PLATE		-
9	A415798	1	STEP, 520-640		-
10	A48906	1	ROPS FRAME WITH FOPS CANOPY, 500 SERIES		62

15.6.2023

# A440098 INSTRUMENT PANEL WITH DECAL 500 SERIES



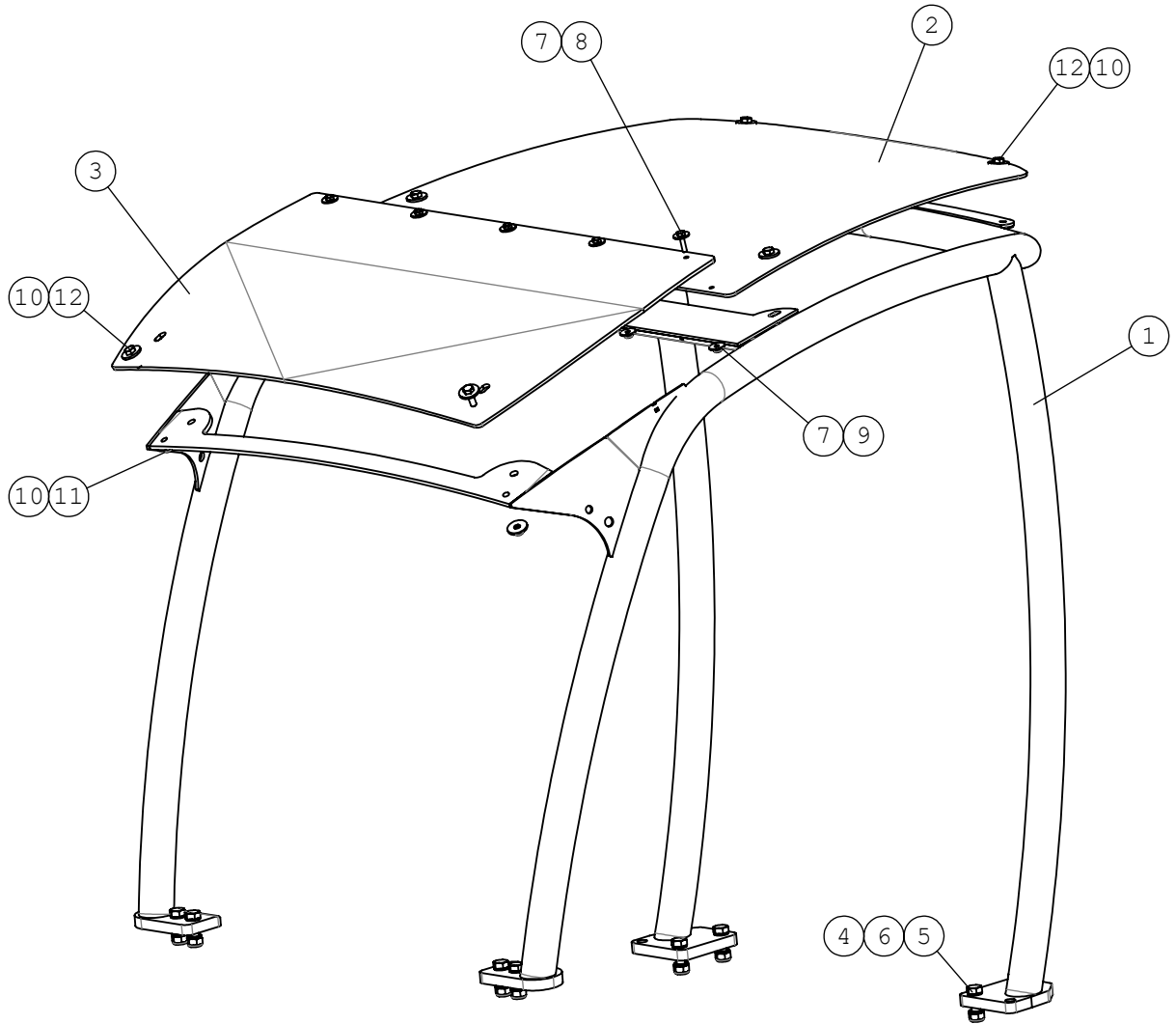
15.6.2023

**A440098 INSTRUMENT PANEL WITH DECAL 500 SERIES**

REF	PART NO	QTY	DESCRIPTION	NOTES	PAGE
1	A437478	1	INSTRUMENT PANEL WITH MOUNTING BRACKET		-
2	A414945	1	DECAL, CONTROL LEVERS, 520-528		-
3	A436424	1	OUTLET 12V/20A WITH COVER		-
4	74768	4	WASHER CONICAL M6		-
5	75162	4	CROSS HEAD COUNTERS SCREW M6*12		-
6	65216	1	SWITCH, PARKING BRAKE		-
7	65246	1	SWITCH, DRIVE SPEED AREA, 750		-
8	A430996	1	CONTROL SWITCH, HYDR ATTACHMENT COUPLING		-
9	65066	1	SWITCH, WORK LIGHT		-
10	65065	1	SWITCH, BEACON		-
11	A437190	1	SWITCH SMOOTH DRIVE		-
12	65063	1	SWITCH, WIPER/WASHER		-
13	65064	1	SWITCH, WARNING BLINKER		-
14	65276	1	ROCKER SWITCH, REAR AUXILIARY HYDRAULICS		-
15	A437251	1	DECAL COVER CONTROL PANEL 500-800 ROPS		-

15.6.2023

# A48906 ROPS FRAME WITH FOPS CANOPY, 500 SERIES

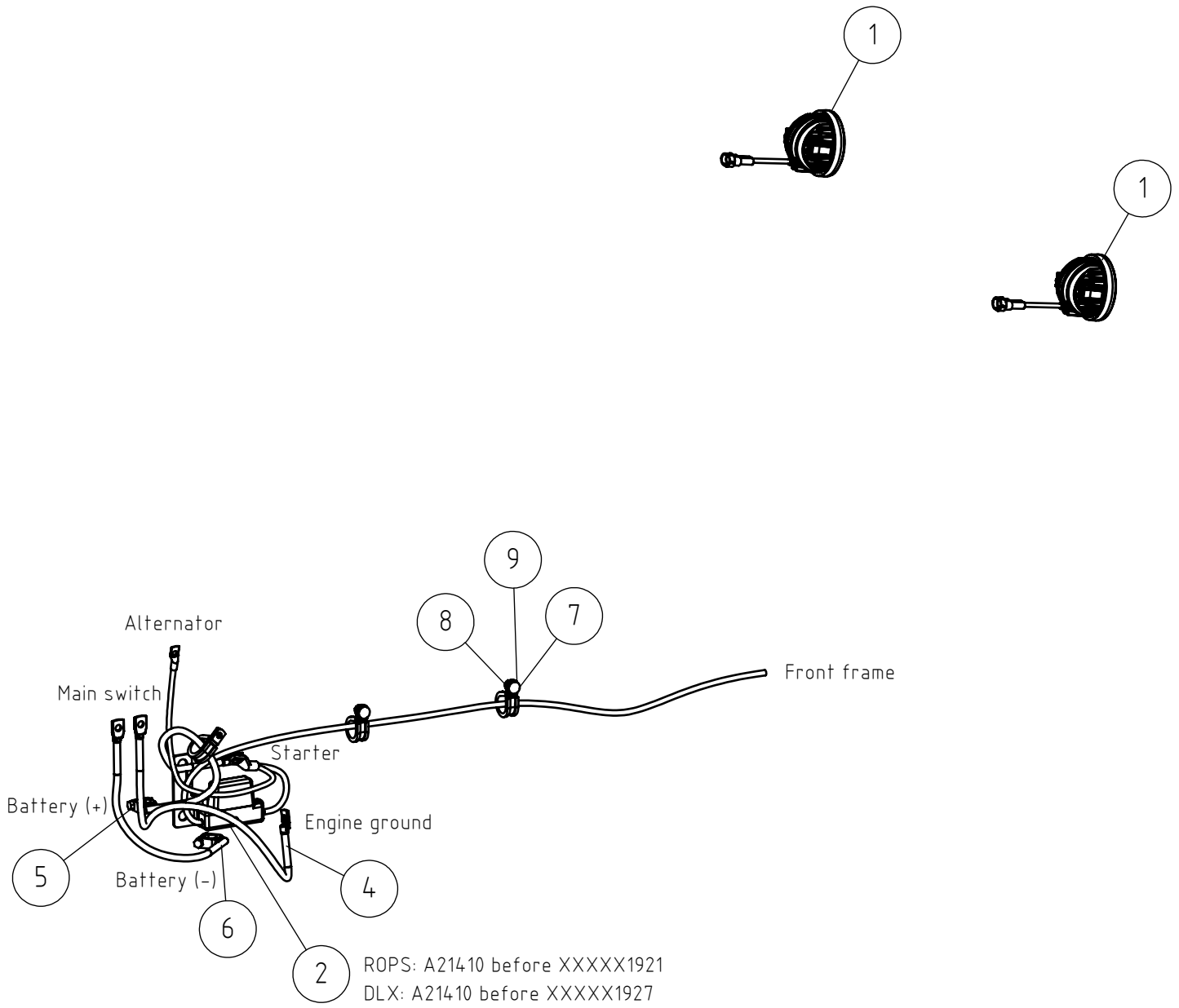


15.6.2023

**A48906 ROPS FRAME WITH FOPS CANOPY, 500 SERIES**

REF	PART NO	QTY	DESCRIPTION	NOTES	PAGE
1	A33900	1	ROPS FRAME 1040 MM 500 SERIES		-
2	A48905	1	FOPS CANOPY PLATE 500/600/700		-
3	A48909	1	CANOPY, SHORT, POLYCARBONATE (WITH FOPS)		-
4	74532	16	WASHER NORDLOCK NL12		-
5	73322	8	HEXAGONAL SCREW M12*40 DIN 931		-
6	72324	8	HEXAGONAL NUT M 12 NYLOC DIN 985		-
7	71681	10	WASHER M6 DIN 440		-
8	72119	5	HEXAGONAL SCREW M6*25 DIN 933 ZN		-
9	72318	5	HEXAGONAL NUT M 6 DIN 985 NYLOC		-
10	71685	12	WASHER M8 R9 DIN 440 ZN		-
11	72320	6	HEXAGONAL NUT M8 NYLOC DIN 985		-
12	72132	6	HEXAGONAL SCREW M 8*25 DIN 933 ZN		-

# A426254 ELECTRIC COMPONENTS 523





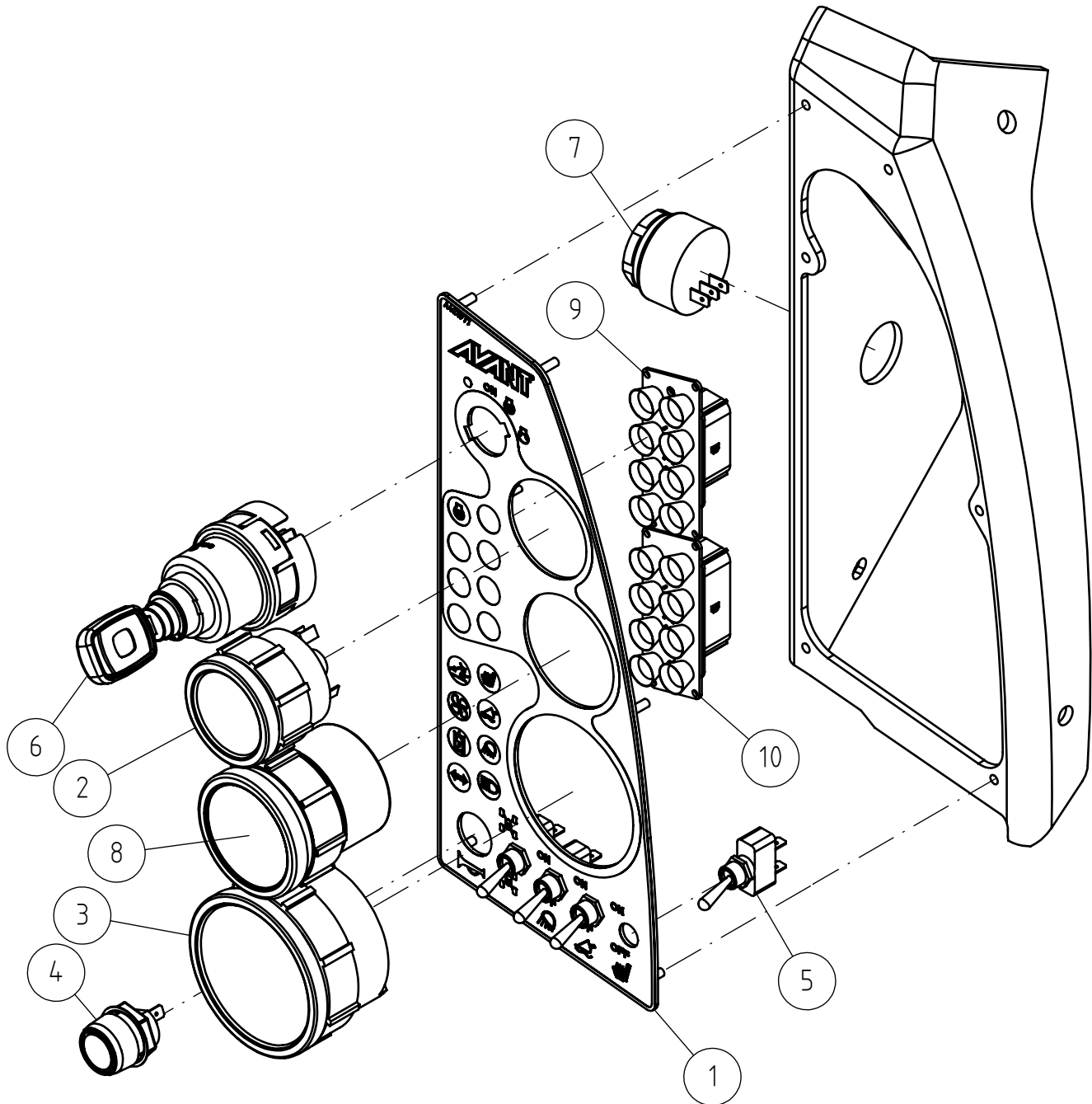
15.6.2023

**A426254 ELECTRIC COMPONENTS 523**

REF	PART NO	QTY	DESCRIPTION	NOTES	PAGE
1	66266	2	WORK LIGHT LED 1000 LUMEN 12V/8W		-
2	66489	1	FUSE MODULE HHX		-
3	A425379	1	MOUNTING BRACKET MAIN FUSE		-
4	A420907	1	BATTERY CABLE, BLACK, L=650		-
5	65070	1	CABLE, BATTERY, RED, L=400		-
6	65071	1	CABLE, BATTERY, BLACK, L=280		-
7	A435922	2	CARRIAGE BOLT M6*12 DIN603		-
8	74781	2	HEXAGONAL NUT M6 WITH FLANGE		-
9	74573	3	PIPE CLAMP F25 MM		-

15.6.2023

# A423593 DASHBOARD ASSEMBLY



15.6.2023

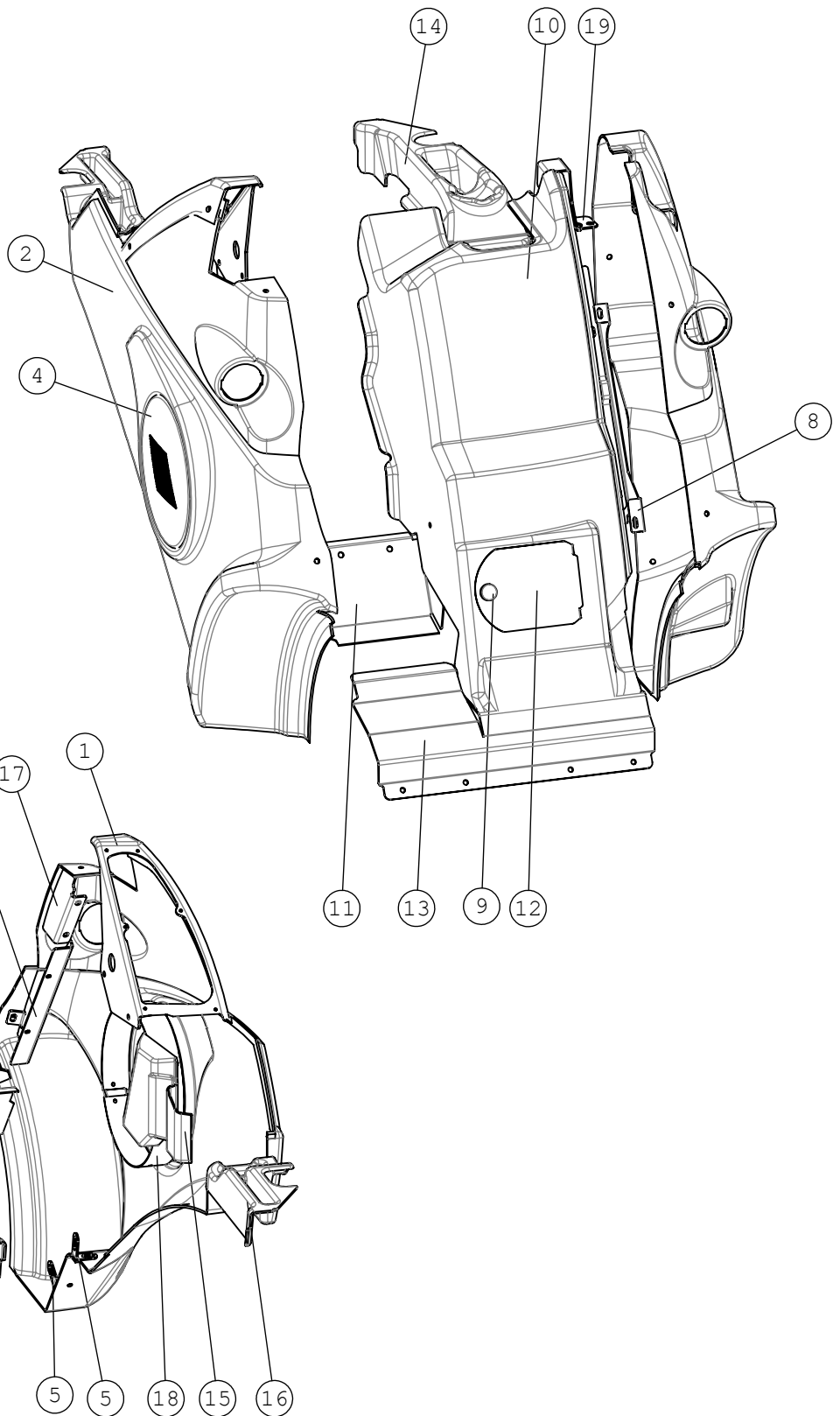
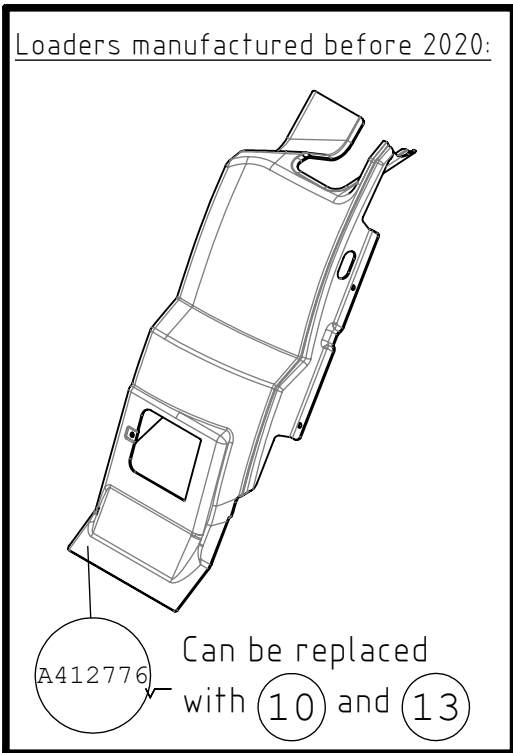
**A423593 DASHBOARD ASSEMBLY**

REF	PART NO	QTY	DESCRIPTION	NOTES	PAGE
1	A423592	1	MOUNTING PLATE INDICATORS&GAUGES WITH OI		-
2	65122	1	FUEL GAUGE		-
3	65123	1	HOUR METER/TACHOMETER 500/600 SERIES		-
4	64074	1	PUSH BUTTON F22,5 SIGNAL HORN		-
5	64602	4	ROCKER SWITCH ON-OFF 2-POLE 250VAC/10A		-
6	66156	1	IGNITION SWITCH 12V/30A/60A IP65 COBO		-
6.1	64214	1	IGNITION KEY		-
7	A440326	1	ALARM BEEPER D28,5/D45 -H47		-
8	A430775	1	THERMOMETER WATER/HYDRAULIC OIL		-
9	A425304	1	INDICATOR LIGHTS DIESEL ENGINE KOHLER		-
10	A425315	1	INDICATOR LIGHTS E SERIES		-

15.6.2023

ROPS, ABS

# A35734 COVER PLATES, FRONT, KIT, 500/600



3 Huom! Jos kuormaaja on varustettu L-ohjaamolla (A21592), käytä A416315  
 Note! If loader is equipped with L cabin (A21592), use A416315

15.6.2023

ROPS, ABS

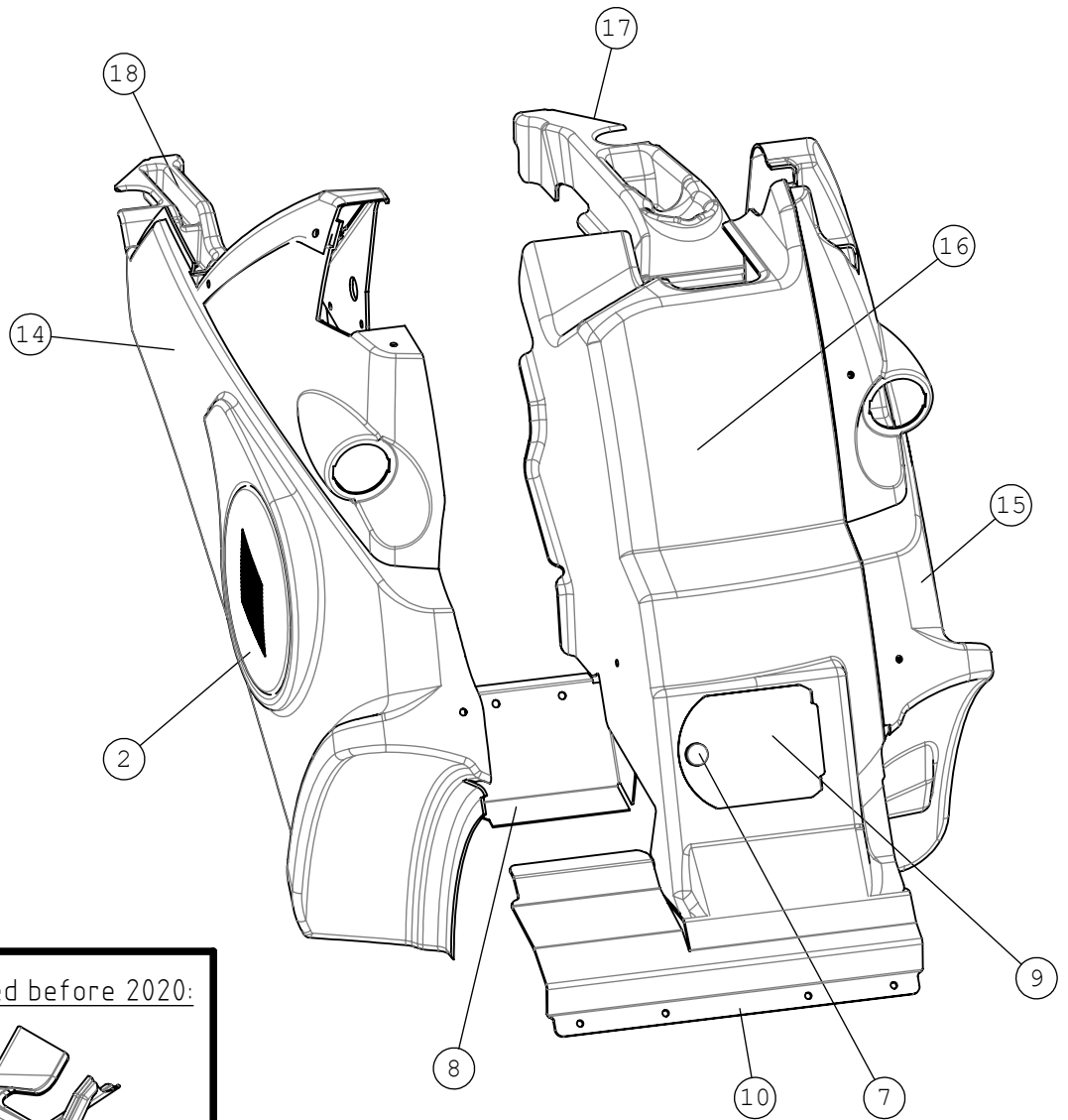
**A35734 COVER PLATES, FRONT, KIT, 500/600**

REF	PART NO	QTY	DESCRIPTION	NOTES	PAGE
1	A47719	1	PANEL, ABS		-
2	A415754	1	COVER PLATE, FRONT RIGHT, 500/600		-
3	A415759	1	COVER PLATE, FRONT LEFT, 500/600		-
4	A412791	1	NET		-
5	A47756	3	ANGLE BRACKET 90°		-
6	A47677	1	BRACKET 110 DEGR, 600 SERIES COVER PLATE		-
7	A415764	1	BRACKET, FRONT RIGHT, COVER PLATE		-
8	A415765	1	BRACKET, FRONT LEFT, COVER PLATE		-
9	64941	1	FINGER SCREW M6*20 R3015RM620S		-
10	A412817	1	COVER PLATE, CENTER		-
11	A47656	1	COVER		-
12	A48000	1	LID		-
13	A435254	1	COVER DRIVE MOTORS FRONT		-
14	A434360	1	CUP HOLDER, LEFT		-
15	A48251	1	PEN HOLDER		-
16	A431510	1	CUP HOLDER, RIGHT		-
17	A414801	1	EDGE PLATE		-
18	A416174	1	RING, SHORT		-
19	A416780	1	COVER PLATE, OPENING ROPS FRAME		-

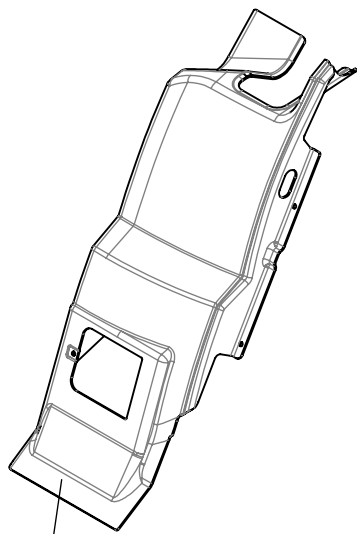
15.6.2023

ROPS, PC/HD, optional extra

# A35953 COVER PLATES HD, KIT, FRONT FRAME 500-600



Loaders manufactured before 2020:



A415523 Can be replaced with 16 and 10

15.6.2023

ROPS, PC/HD, optional extra

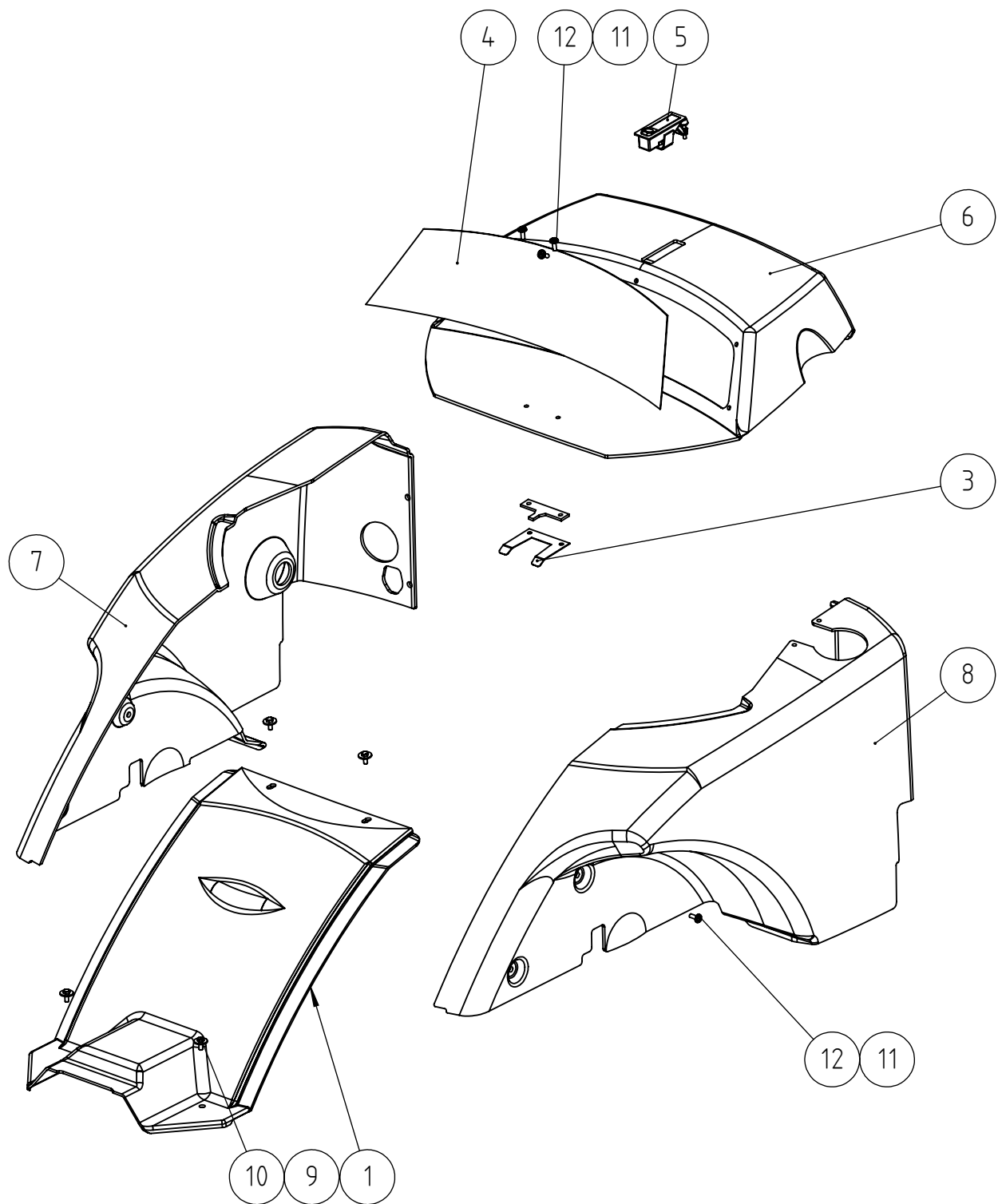
**A35953 COVER PLATES HD, KIT, FRONT FRAME 500-600**

REF	PART NO	QTY	DESCRIPTION	NOTES	PAGE
1	A47719	1	PANEL, ABS		-
2	A412791	1	NET		-
3	A47756	3	ANGLE BRACKET 90°		-
4	A47677	1	BRACKET 110 DEGR, 600 SERIES COVER PLATE		-
5	A415764	1	BRACKET, FRONT RIGHT, COVER PLATE		-
6	A415765	1	BRACKET, FRONT LEFT, COVER PLATE		-
7	64941	1	FINGER SCREW M6*20 R3015RM620S		-
8	A47656	1	COVER		-
9	A48000	1	LID		-
10	A435254	1	COVER DRIVE MOTORS FRONT		-
11	A48251	1	PEN HOLDER		-
12	A414801	1	EDGE PLATE		-
13	A416174	1	RING, SHORT		-
14	A416206	1	COVER PLATE HD POLYCARB FRONT RIGHT		-
15	A416212	1	COVER PLATE, HD, FRONT LEFT, 500/600		-
16	A415532	1	COVER PLATE HD POLYCARB FRONT CENTER		-
17	A434360	1	CUP HOLDER, LEFT		-
18	A431510	1	CUP HOLDER, RIGHT		-

15.6.2023

ABS

# A37489 COVER PLATES REAR CHASSIS 420-523, KIT





15.6.2023

ABS

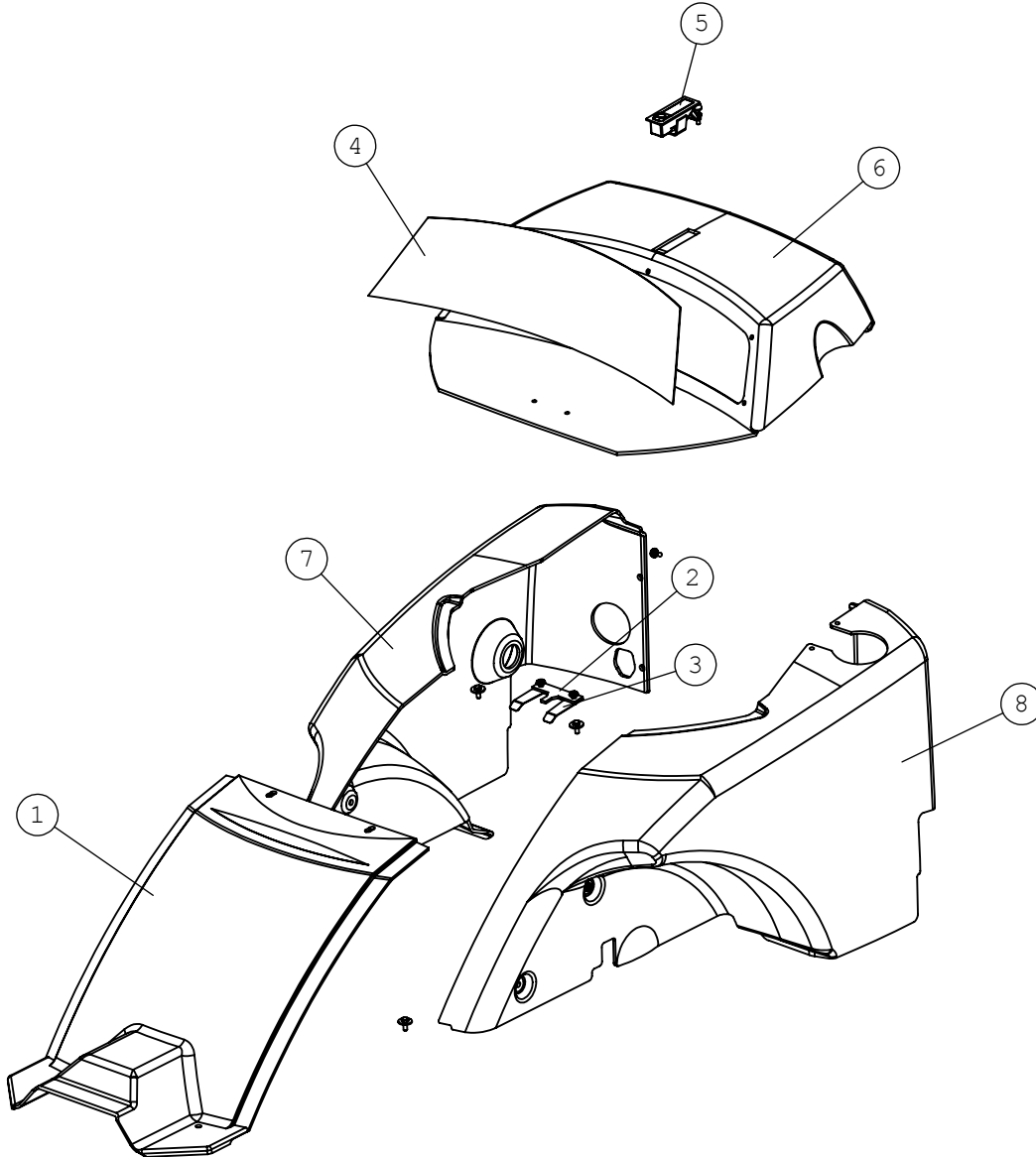
**A37489 COVER PLATES REAR CHASSIS 420-523, KIT**

REF	PART NO	QTY	DESCRIPTION	NOTES	PAGE
1	A48464	1	COVER PLATE, REAR, CENTER		-
2	A48469	1	CLAMP		-
3	A48479	1	BRACKET		-
4	A49129	1	NET		-
5	65085	1	LATCH		-
6	A416604	1	COVER PLATE, ENGINE, 420/520, 2013/13 =>		-
7	A423265	1	COVER PLATE, REAR, RIGHT, ABS 420-523		-
8	A423264	1	COVER PLATE, REAR, LEFT, ABS 420-523		-
9	71681	4	WASHER M6 DIN 440		-
10	72117	4	HEXAGONAL SCREW M6*16 DIN 933		-
11	74768	4	WASHER CONICAL M6		-
12	74767	4	RAISED COUNTERSUNK HEAD SCREW M6*20		-

15.6.2023

PC/HD, optional extra

# A426056 COVER PLATES POLYCARB REAR CHASSIS



15.6.2023

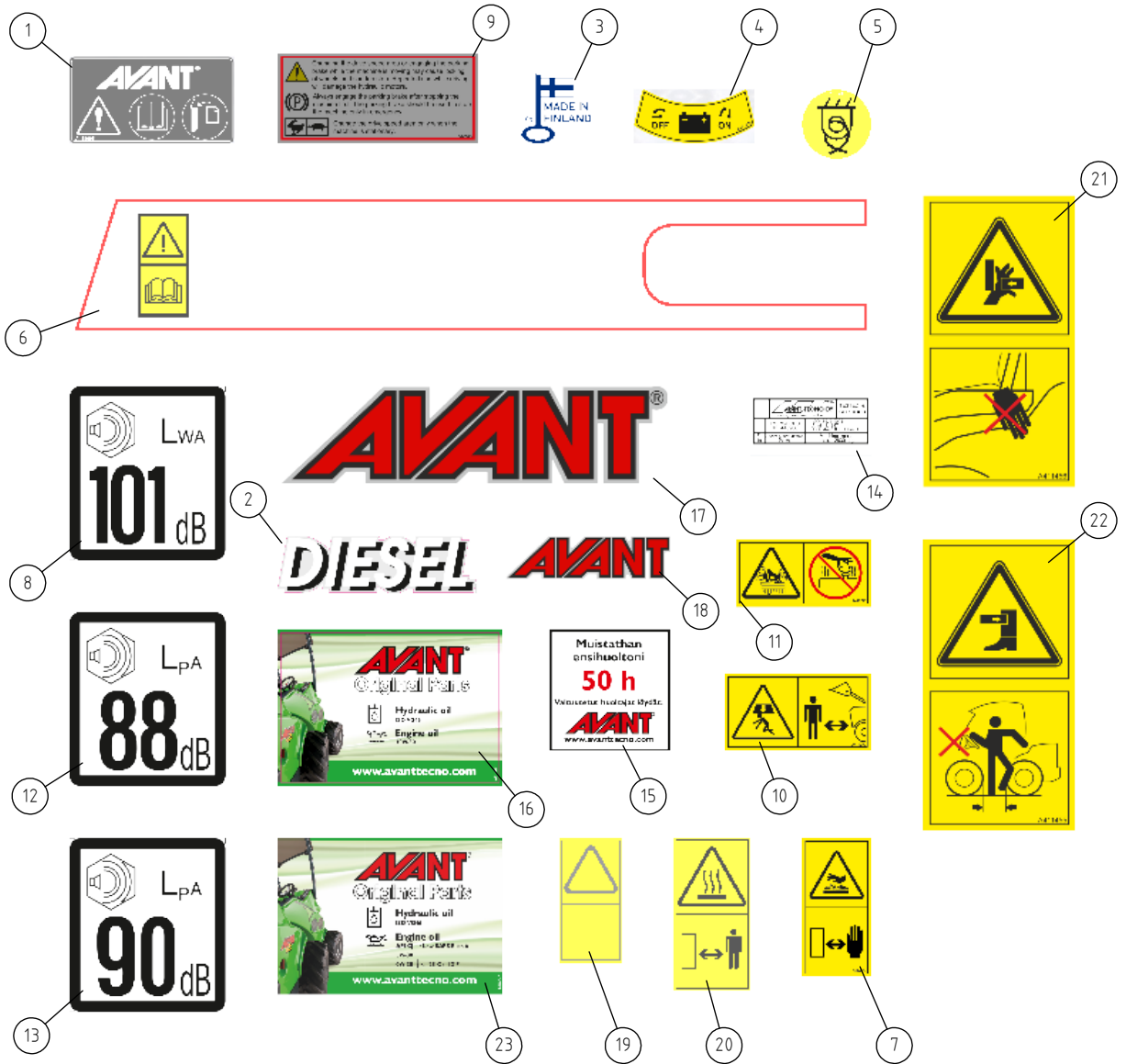
PC/HD, optional extra

**A426056 COVER PLATES POLYCARB REAR CHASSIS**

REF	PART NO	QTY	DESCRIPTION	NOTES	PAGE
1	A48464	1	COVER PLATE, REAR, CENTER		-
2	A48469	1	CLAMP		-
3	A48479	1	BRACKET		-
4	A49129	1	NET		-
5	65085	1	LATCH		-
6	A416796	1	COVER PLATE, ENGINE, HD, 420/520		-
7	A426032	1	COVER PLATE HD POLYCARB REAR RIGHT		-
8	A426035	1	COVER PLATE HD POLYCARB REAR LEFT		-
9	71681	4	WASHER M6 DIN 440		-
10	72117	4	HEXAGONAL SCREW M6*16 DIN 933		-
11	74768	4	WASHER CONICAL M6		-
12	74767	4	RAISED COUNTERSUNK HEAD SCREW M6*20		-

15.6.2023

# A428313 DECAL KIT 400-800 SERIES



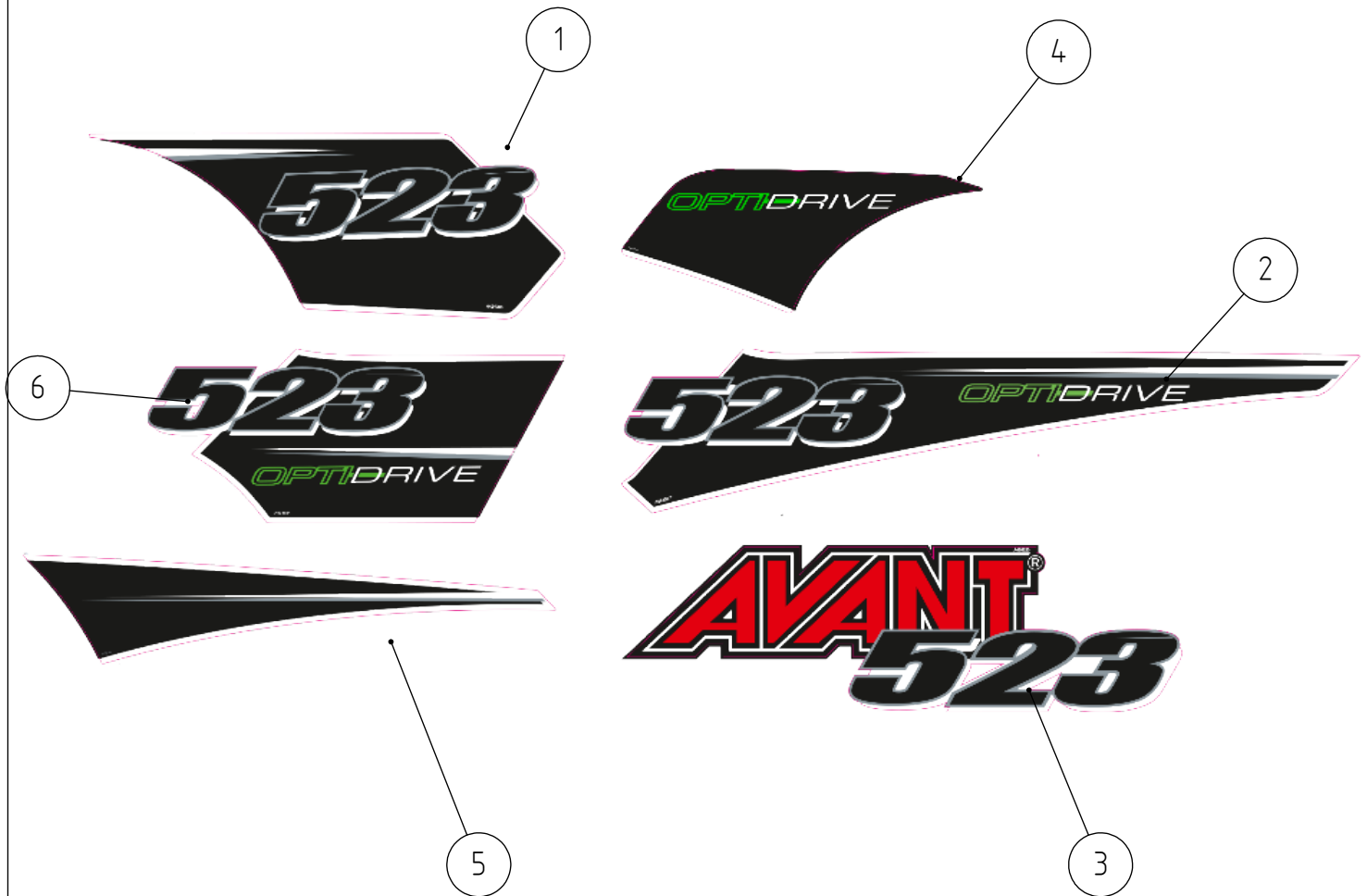
15.6.2023

**A428313 DECAL KIT 400-800 SERIES**

REF	PART NO	QTY	DESCRIPTION	NOTES	PAGE
1	A418695	1	DECAL OPERATORS MANUAL BOX		-
2	A43594	1	DECAL "DIESEL" 32*115 BLACK-WHITE/CLEAR		-
3	A429424	1	DECAL "MADE IN FINLAND"		-
4	A417404	1	DECAL BATTERY DISCONNECT SWITCH		-
5	A414283	4	DECAL PICTOGRAM TIE DOWN POINT		-
6	A414690	1	DECAL FOOTWELL "ALWAYS PERFORM A		-
7	A417270	1	DECAL WARNING HOT SURFACE		-
8	A411047	1	DECAL "LWA 101" 90*100 BLACK/WHITE		-
9	A420357	1	DECAL FIN JARRU/VAIHDE		-
10	A417273	1	DECAL PICTOGR NEVER GO UNDER LIFTED BOOM		-
11	A417272	1	DECAL WARNING RADIATOR PRESSURE		-
12	A43600	1	DECAL LPA88 90*100 BLACK/WHITE		-
13	A411217	1	DECAL "LPA 90" 90*100 BLACK/WHITE		-
14	A49517	1	TYPE PLATE A48906 FOPS 39*90		-
15	A410924	1	DECAL ENSIHUOLTO		-
16	A415780	1	DECAL AVANT HYDRAULIC OIL/ENGINE OIL		-
17	65024	1	DECAL AVANT® EMBOSSED 56*225MM RED		-
18	65649	1	DECAL AVANT® EMBOSSED 25*95MM		-
19	A417271	1	DECAL PICTOGRAM RADIATOR STOP ENGINE		-
20	A414244	1	DECAL, WARNING HOT SURFACES		-
21	A411456	1	DECAL PICTOGRAM CRUSHING HAZ HANDS ARTIC		-
22	A411455	1	DECAL PICTOGRAM CRUSHING HAZARD LEGS		-
23	A420043	1	DECAL "HYDRAULIC OIL ENGINE OIL"		-

15.6.2023

**A427032 DECAL KIT, AVANT 523 OPTIDRIVE**



15.6.2023

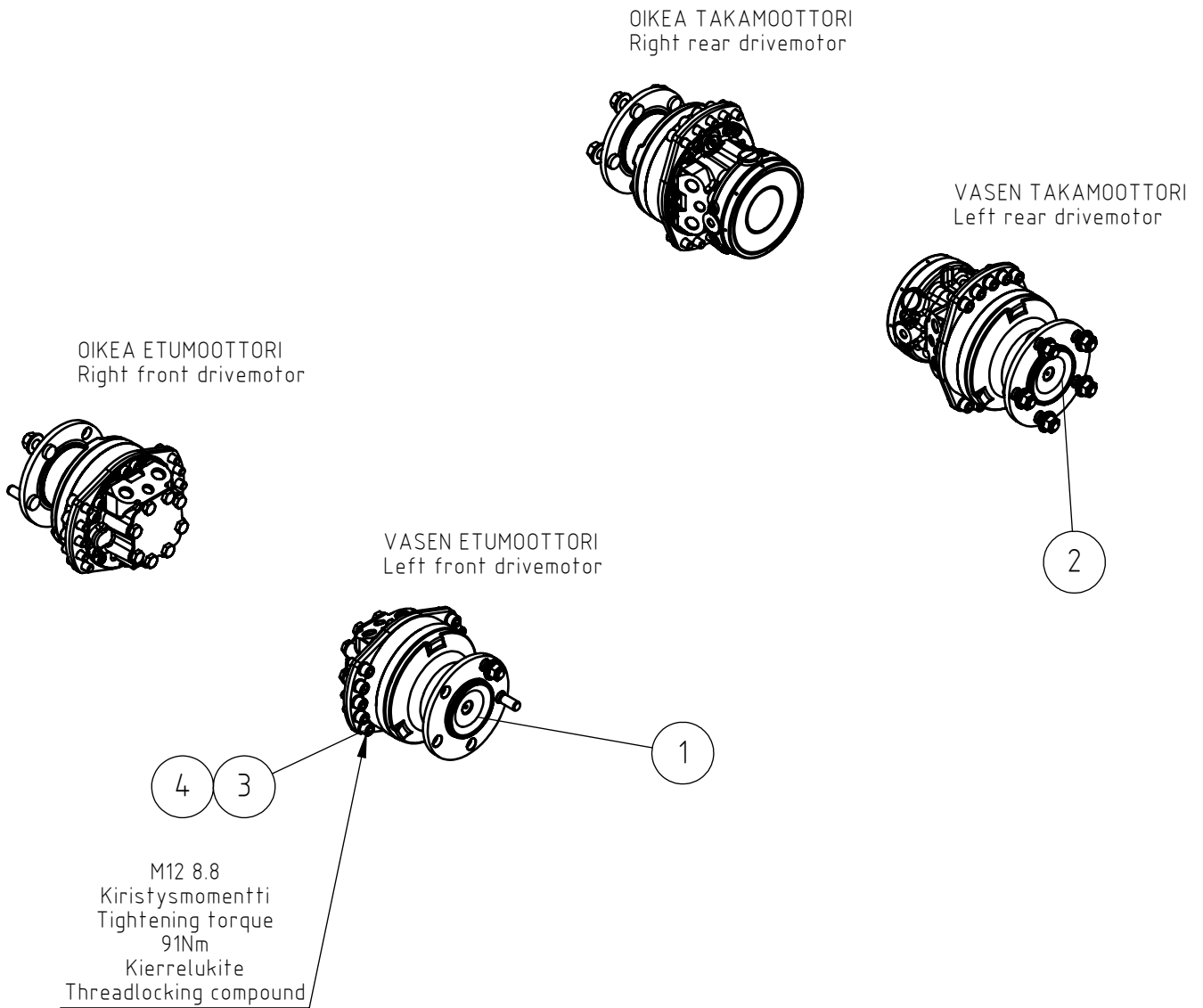
**A427032 DECAL KIT, AVANT 523 OPTIDRIVE**

REF	PART NO	QTY	DESCRIPTION	NOTES	PAGE
1	A424095	1	DECAL "523" FRONT CHASSIS		-
2	A424097	1	DECAL "523 OPTIDRIVE" RIGHT SIDE		-
3	A426320	1	DECAL AVANT 523 REAR CHASSIS		-
4	A422763	1	DECAL "OPTIDRIVE" LEFT SIDE		-
5	A422765	1	DECAL FRONT FRAME RIGHT SIDE BLACK/WHITE		-
6	A425024	1	DECAL "523 OPTIDRIVE" LX/DLX		-

15.6.2023

DKOS fittings from 2022 week 26

# A445134 HYDRAULIC MOTOR ASSEMBLY 364 CCM POCLAIN





15.6.2023

DKOS fittings from 2022 week 26

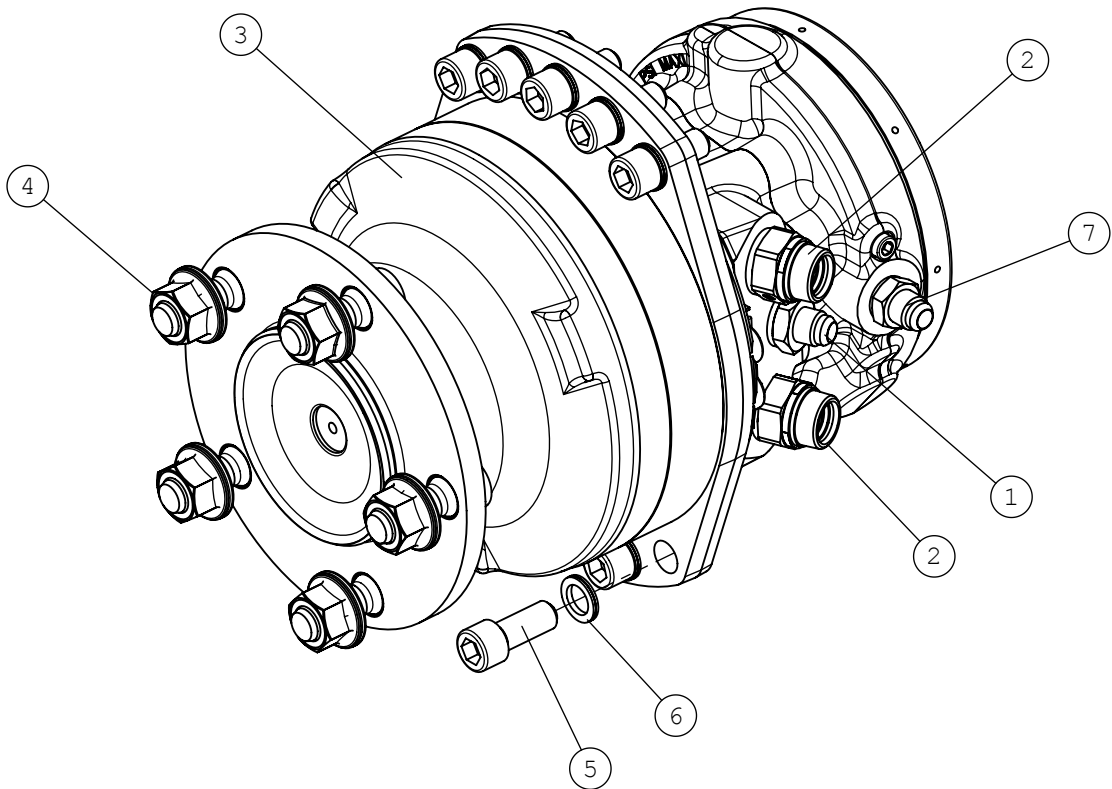
**A445134 HYDRAULIC MOTOR ASSEMBLY 364 CCM POCLAIN**

REF	PART NO	QTY	DESCRIPTION	NOTES	PAGE
1	66011	2	HYDRAULIC MOTOR MSE02 364CCM		-
2	66012	2	HYDRAULIC MOTOR B MSE02 364CCM, W. BRAKE		-
3	74846	40	HEXAGONAL HEAD SCREW M12*30 DIN912		-
4	74532	40	WASHER NORDLOCK NL12		-

15.6.2023

E03 fittings before 2022 week 26

# A421885 DRIVE MOTOR REAR, ASSEMBLY



15.6.2023

E03 fittings before 2022 week 26

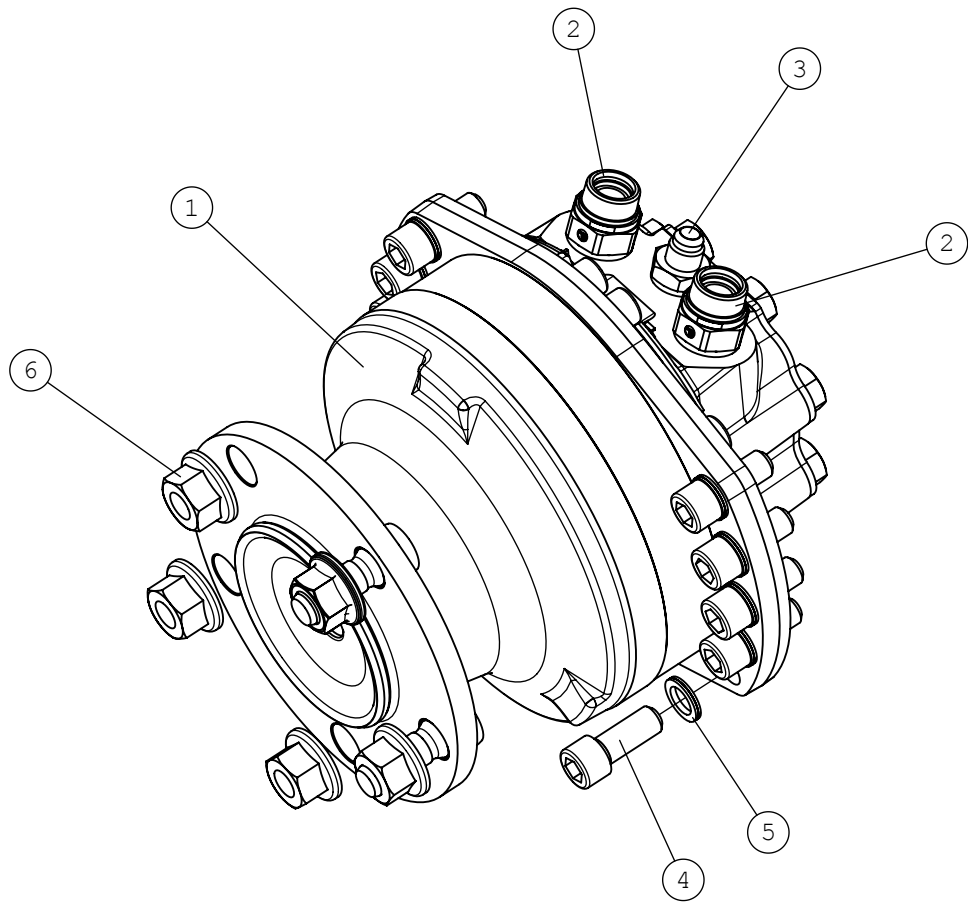
**A421885 DRIVE MOTOR REAR, ASSEMBLY**

REF	PART NO	QTY	DESCRIPTION	NOTES	PAGE
1	64041	1	BASIC FITTING F40XS10-3/8 /8		-
2	66347	2	BASIC FITTING EO-3 R1/2" - E03 F24 /2		-
3	66012	1	HYDRAULIC MOTOR B MSE02 364CCM, W. BRAKE		-
4	74866	5	WHEEL NUT M14*1.5 AV22 POCLAIN		-
5	74846	10	HEXAGONAL HEAD SCREW M12*30 DIN912		-
6	74532	10	WASHER NORDLOCK NL12		-
7	64059	1	BASIC FITTING F40XS10-1/4		-

15.6.2023

E03 fittings before 2022 week 26

# A422531 DRIVE MOTOR FRONT, ASSEMBLY



15.6.2023

E03 fittings before 2022 week 26

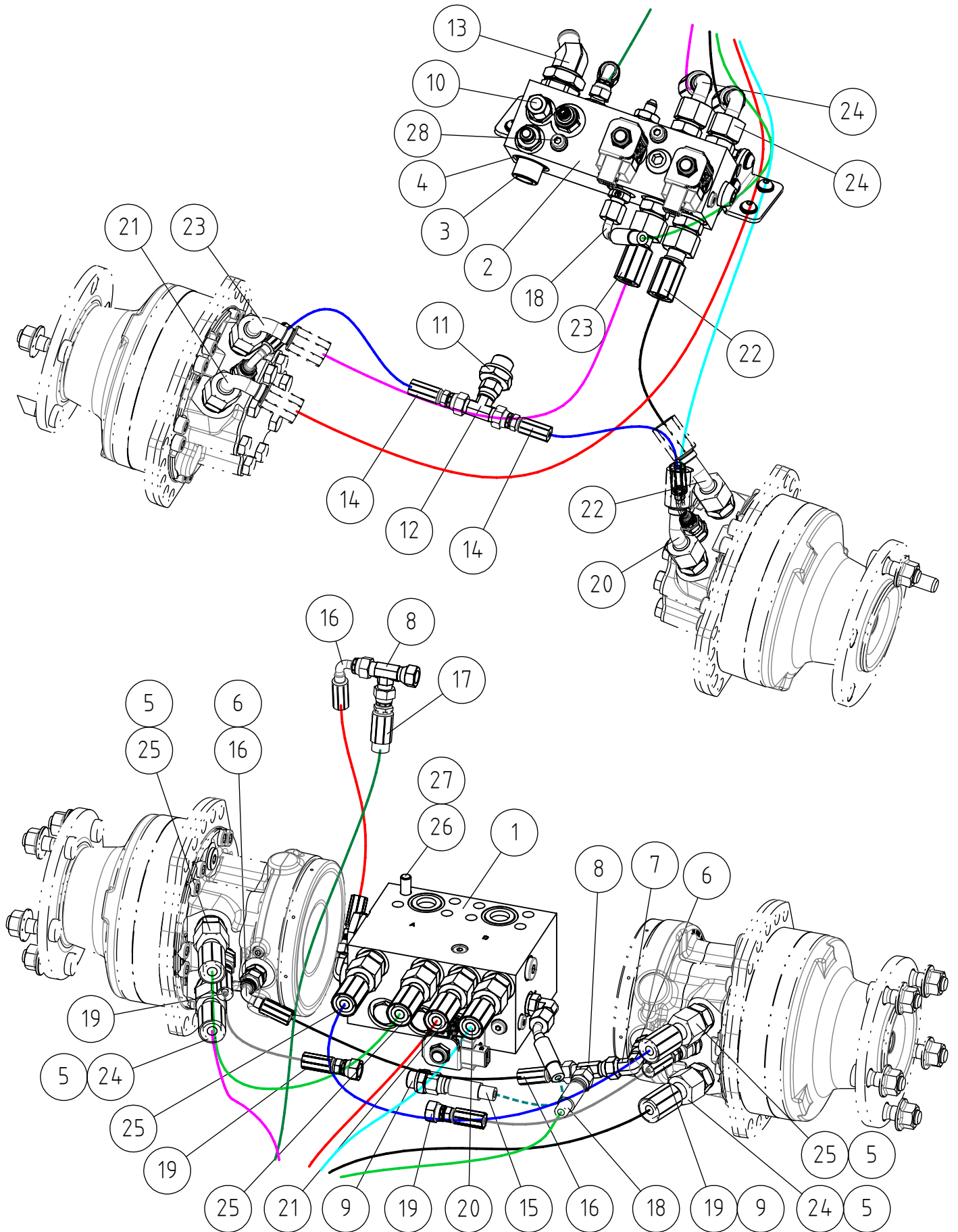
**A422531 DRIVE MOTOR FRONT, ASSEMBLY**

REF	PART NO	QTY	DESCRIPTION	NOTES	PAGE
1	66011	1	HYDRAULIC MOTOR MSE02 364CCM		-
2	66347	2	BASIC FITTING EO-3 R1/2" - E03 F24 /2		-
3	64041	1	BASIC FITTING F40XS10-3/8 /8		-
4	74846	10	HEXAGONAL HEAD SCREW M12*30 DIN912		-
5	74532	10	WASHER NORDLOCK NL12		-
6	74866	5	WHEEL NUT M14*1.5 AV22 POCLAIN		-

15.6.2023

DKOS fittings from 2022 week 26

# A451431 HYDR. HOSES DRIVE 500-600 SERIES 1-SPEED



15.6.2023

DKOS fittings from 2022 week 26

**A451431 HYDR. HOSES DRIVE 500-600 SERIES 1-SPEED**

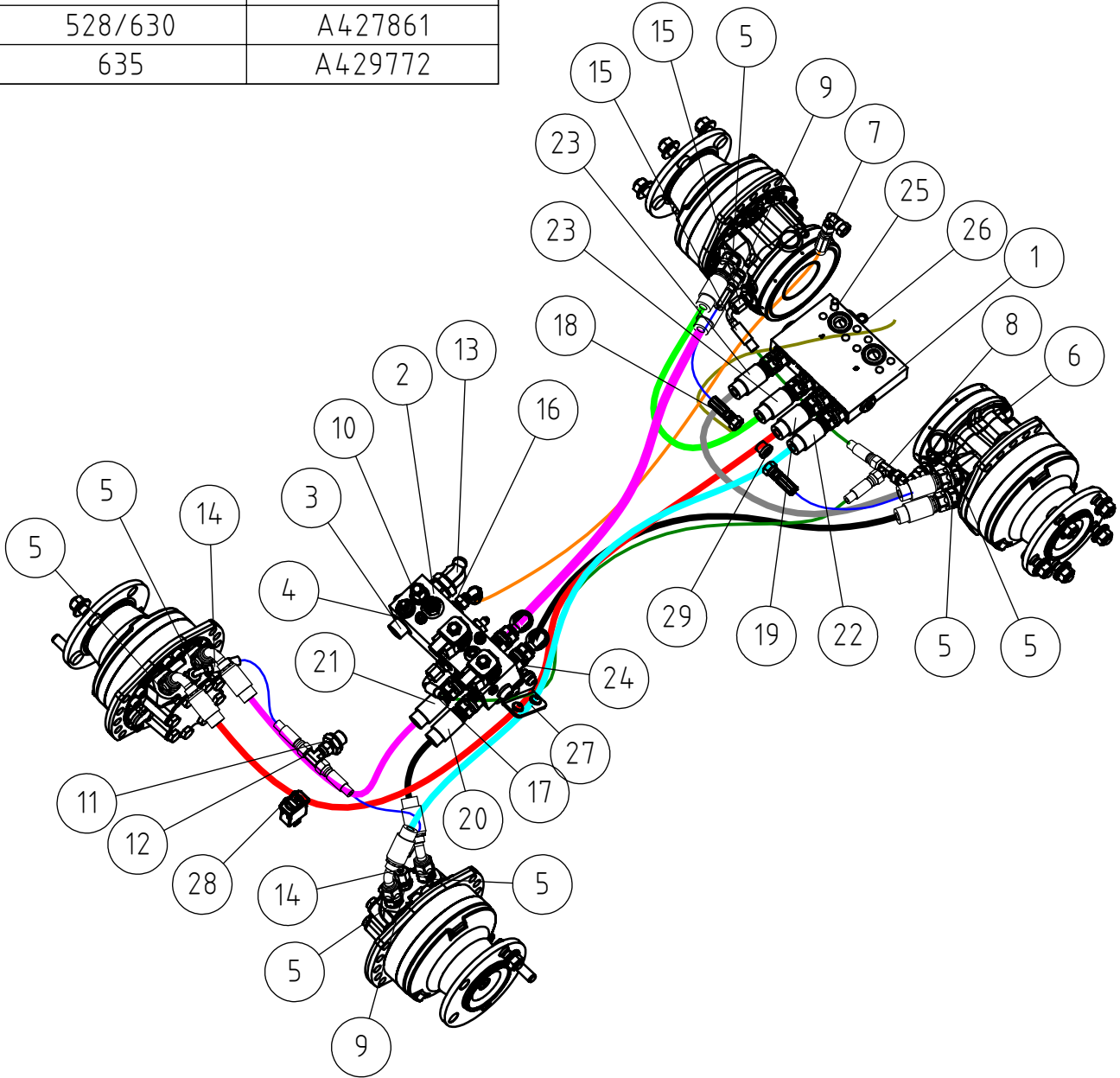
REF	PART NO	QTY	DESCRIPTION	NOTES	PAGE
1	A454024	1	HYDRAULIC MANIFOLD ANTI SLIP VALVE	E03 fittings before 2022 week 26	92
2	A454023	1	HYDRAULIC MANIFOLD 1-SPEED DRIVE RELEASE	DKOS fittings from 2022 week 26	94
3	A421825	1	BANJO BOLT, HYDR. MANIFOLD		-
4	75112	2	O-RING NBR F 32,99*2,62 90SH		-
5	A449892	8	BASIC FITTING G1/2" M24*1,5		-
6	64059	2	BASIC FITTING F40XS10-1/4		-
7	64043	1	ELBOW FITTING 90° C6XS10		-
8	64078	2	L-FITTING BODY R6XS10		-
9	64041	5	BASIC FITTING F40XS10-3/8 /8		-
10	64232	1	FITTING HEAD FNTXS10		-
11	64040	1	BASIC FITTING F40XS10-1/2 /2		-
12	64070	1	T FITTING S6XS10		-
13	66361	1	HOSE BARB 45° R3/4"UK - 20MM		-
14	A410165	2	HYDR. HOSE L=300		-
15	A429297	1	HYDR. HOSE L=250		-
16	A410094	2	HYDR. HOSE L=350		-
17	A422996	1	HYDR. HOSE L=1130		-
18	A410093	1	HYDR. HOSE L=1200		-
19	A428535	2	HYDR. HOSE L=350		-
20	A451433	1	HYDR. HOSE L=1330		-
21	A451432	1	HYDR. HOSE L=1660		-
22	A451297	1	HYDR. HOSE L=330		-
23	A451295	1	HYDR. HOSE L=630		-
24	A451435	2	HYDR. HOSE L=1020		-
25	A451302	2	HYDR. HOSE L=620		-
26	75141	8	HEXAGONAL HEAD SCREW M10*110 DIN912 12.9		-
27	A434424	8	SAFETY WASHER M10 3/8"		-
28	A37332	1	MOUNTING PLATE HYDRAULIC MANIFOLD, ASSEM		-

15.6.2023

E03 fittings before 2022 week 26

**A37575 HYDR. HOSES DRIVE CIRCUIT WITHOUT ANTI S**

Hose (22)	
Loader model	Item
520/523	A433174
528/630	A427861
635	A429772





15.6.2023

E03 fittings before 2022 week 26

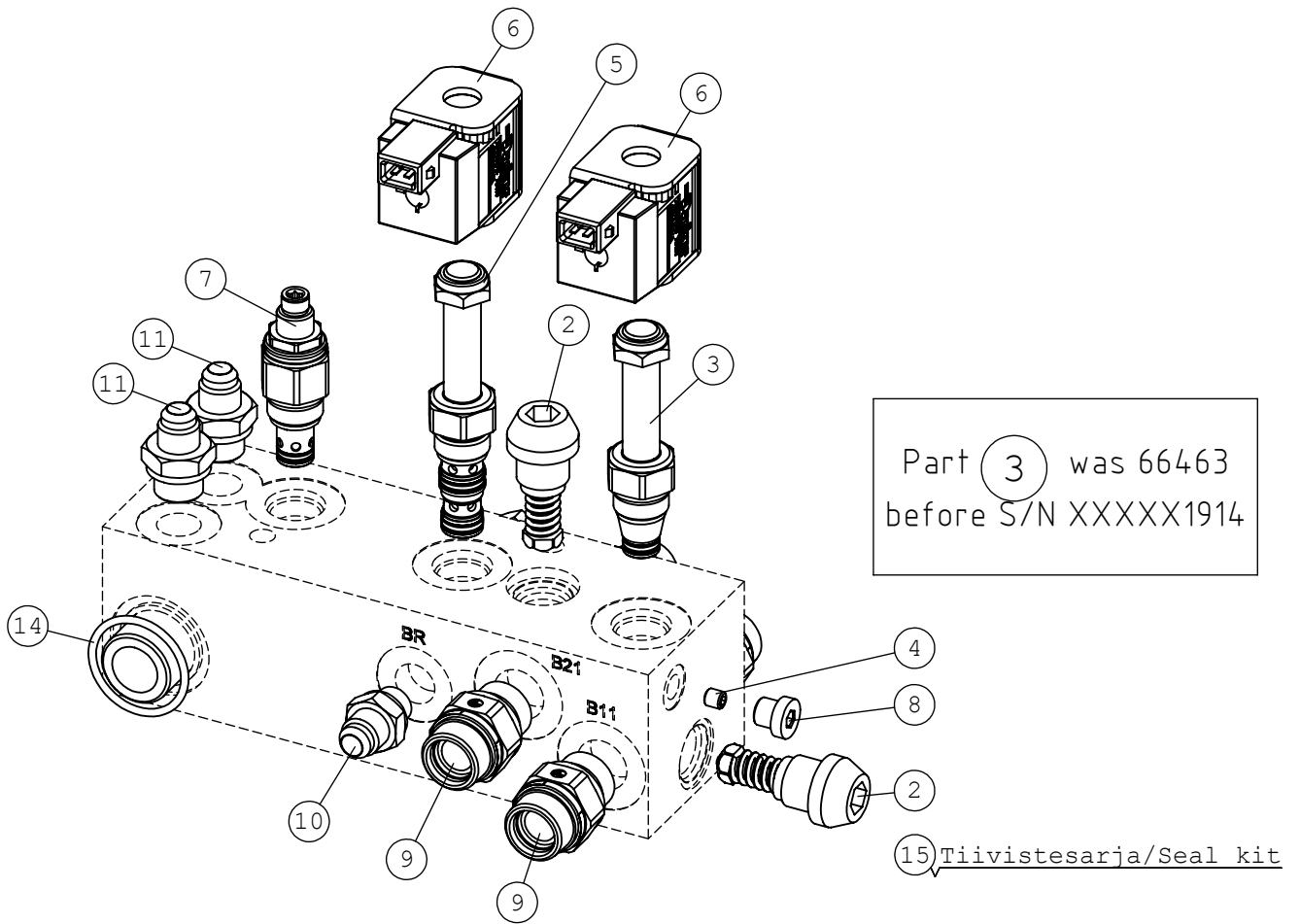
**A37575 HYDR. HOSES DRIVE CIRCUIT WITHOUT ANTI S**

REF	PART NO	QTY	DESCRIPTION	NOTES	PAGE
1	A421618	1	HYDRAULIC MANIFOLD, DRIVE		-
2	A421616	1	HYDRAULIC MANIFOLD DRIVE RELEASE 1-SPEED	E03 fittings before 2022 week 26	90
3	A421825	1	BANJO BOLT, HYDR. MANIFOLD		-
4	75112	2	O-RING NBR F 32,99*2,62 90SH		-
5	66347	8	BASIC FITTING EO-3 R1/2" - EO3 F24 /2		-
6	64059	2	BASIC FITTING F40XS10-1/4		-
7	64043	2	ELBOW FITTING 90° C6XS10		-
8	64078	1	L-FITTING BODY R6XS10		-
9	64041	4	BASIC FITTING F40XS10-3/8 /8		-
10	64232	1	FITTING HEAD FNTXS10		-
11	64040	1	BASIC FITTING F40XS10-1/2 /2		-
12	64070	1	T FITTING S6XS10		-
13	66361	1	HOSE BARB 45° R3/4"UK - 20MM		-
14	A410165	2	HYDR. HOSE L=300		-
15	A410094	1	HYDR. HOSE L=350		-
16	A422996	1	HYDR. HOSE L=1130		-
17	A410093	1	HYDR. HOSE L=1200		-
18	A428535	2	HYDR. HOSE L=350		-
19	A421747	1	HYDR. HOSE L=1640		-
20	A421296	1	HYDR. HOSE L=300		-
21	A421955	1	HYDR. HOSE L=630		-
22	A427861	1	HYDR. HOSE L=1310		-
23	A421749	2	HYDR. HOSE L=620		-
24	A422320	2	HYDR. HOSE L=1000		-
25	75142	8	HEXAGONAL HEAD SCREW M10*50 DIN912 12.9		-
26	A434424	8	SAFETY WASHER M10 3/8"		-
27	A37332	1	MOUNTING PLATE HYDRAULIC MANIFOLD, ASSEM		-
28	A37221	1	WIRE HARNESS PARKING BRAKE/1-SPEED		-
29	74411	1	HEXAGONAL PLUG HF 3/8" HTUNG		-

15.6.2023

E03 fittings before 2022 week 26

# A421616 HYDRAULIC MANIFOLD DRIVE RELEASE 1-SPEED

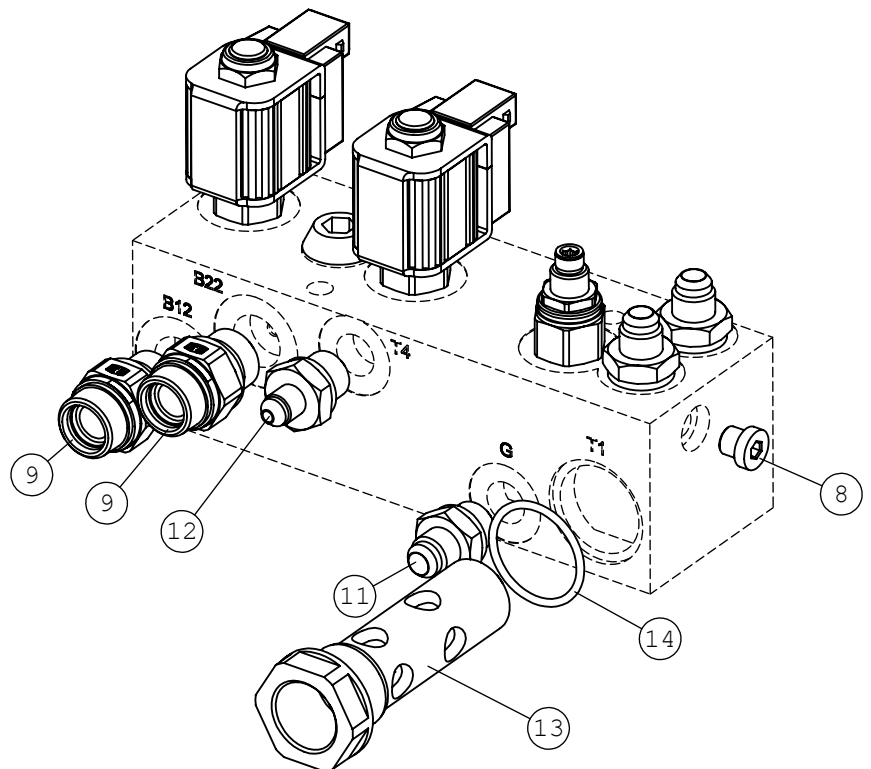


HUOM!  
Nimike A421616 sisältää  
osat (2) - (12)

Tiivistesarja (15) sisältää  
osien (2), (3), (5) ja (7)  
tiivisteet

NOTE!  
Item A421616 includes  
parts (2) - (12)

Seal kit (15) includes seals  
for parts (2), (3), (5)  
and (7)



15.6.2023

E03 fittings before 2022 week 26

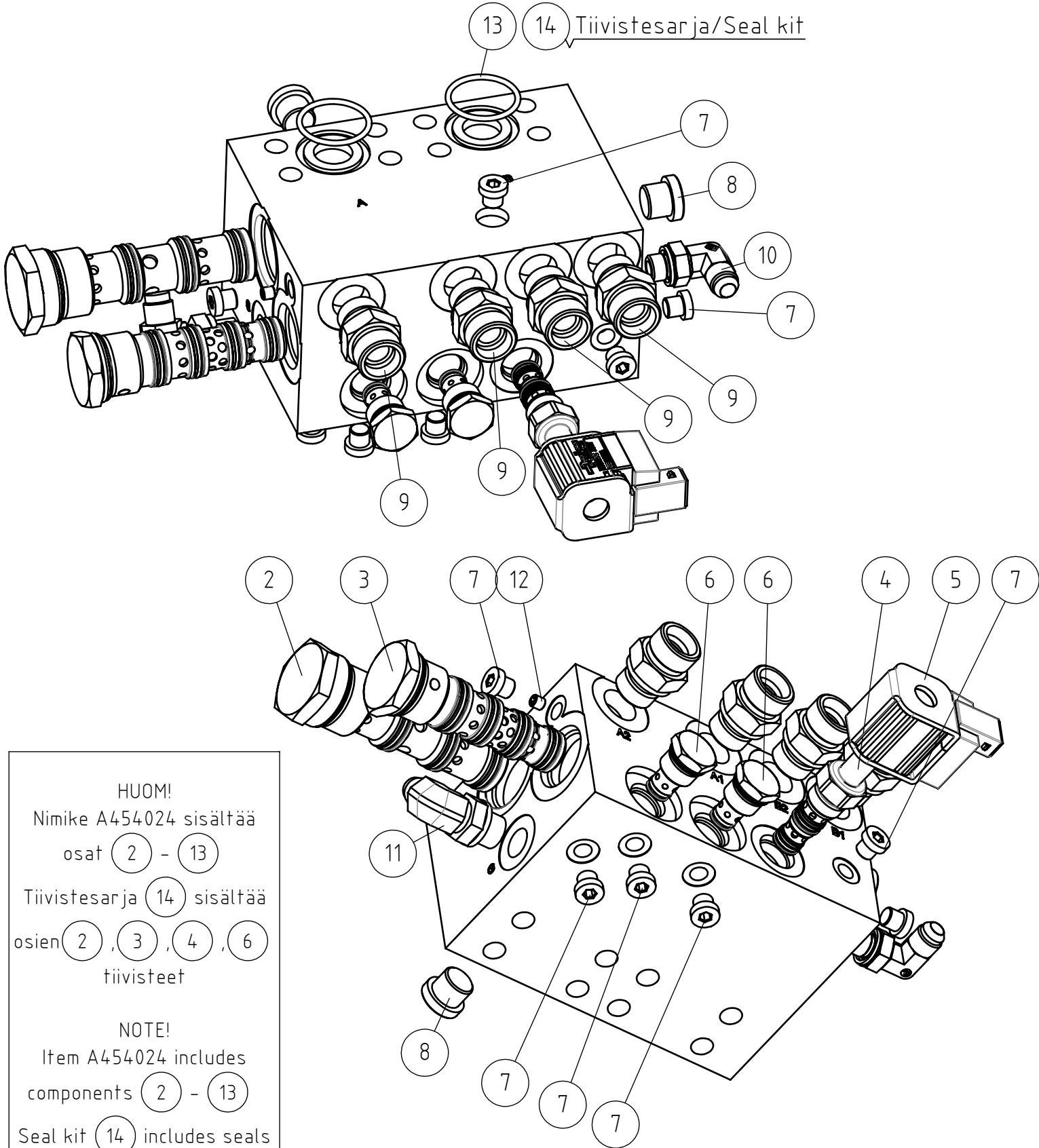
**A421616 HYDRAULIC MANIFOLD DRIVE RELEASE 1-SPEED**

REF	PART NO	QTY	DESCRIPTION	NOTES	PAGE
1	A421616	1	HYDRAULIC MANIFOLD DRIVE RELEASE 1-SPEED	E03 fittings before 2022 week 26	90
2	A428734	2	PRESSURE RELIEF VALVE CARTRIDGE 380BAR		-
3	A432309	1	VALVE CARTRIDGE DRIVE RELEASE OPTIDRIVE		-
4	A428738	1	FLOW RESTRICTOR M6/1,0MM		-
5	A428584	1	VALVE CARTRIDGE SPOOL VALVE 3/2		-
6	66452	2	SOLENOID 12VDC/19W		-
7	A428735	1	PRESSURE RELIEF VALVE CARTRIDGE 30BAR		-
8	64407	2	HEXAGONAL PLUG R 1/8" WITH PACKING		-
9	66347	4	BASIC FITTING EO-3 R1/2" - EO3 F24 /2		-
10	64059	1	BASIC FITTING F40XS10-1/4		-
11	64041	3	BASIC FITTING F40XS10-3/8 /8		-
12	64313	1	BASIC FITTING F40XS6-3/8"		-
13	A421825	1	BANJO BOLT, HYDR. MANIFOLD		-
14	75112	2	O-RING NBR F 32,99*2,62 90SH		-
15	A428793	1	SEAL KIT HYDRAULIC MANIFOLD A421616		-

15.6.2023

E03 fittings before 2022 week 26

# A454024 HYDRAULIC MANIFOLD ANTI SLIP VALVE



**HUOM!**  
 Nimike A454024 sisältää osat 2 - 13  
 Tiivistesarja 14 sisältää osien 2, 3, 4, 6 tiivisteet

**NOTE!**  
 Item A454024 includes components 2 - 13  
 Seal kit 14 includes seals for components 2, 3, 4, 6

15.6.2023

E03 fittings before 2022 week 26

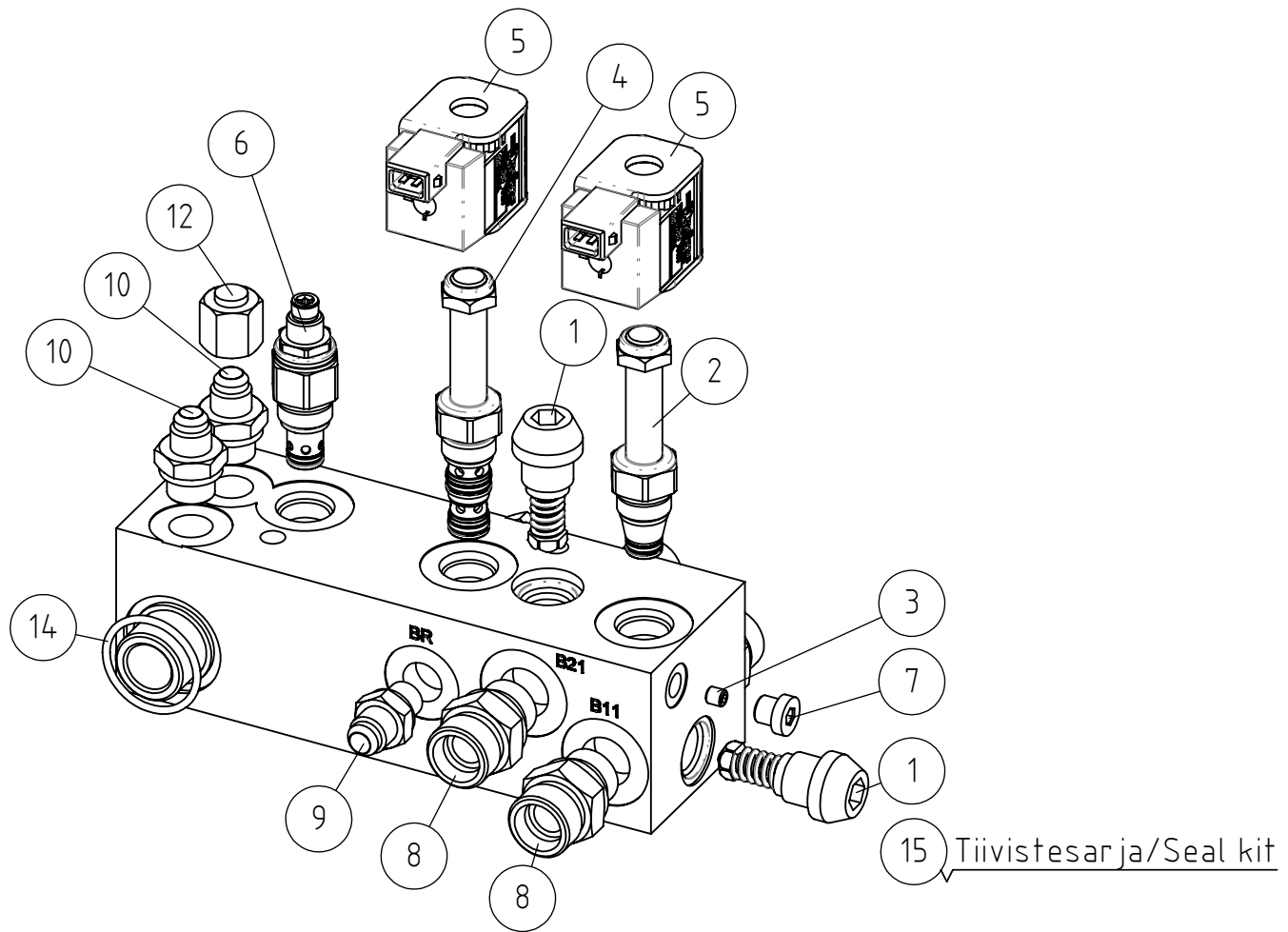
**A454024 HYDRAULIC MANIFOLD ANTI SLIP VALVE**

REF	PART NO	QTY	DESCRIPTION	NOTES	PAGE
1	A454024	1	HYDRAULIC MANIFOLD ANTI SLIP VALVE	E03 fittings before 2022 week 26	92
2	A428742	1	FLOW DIVIDER VALVE CARTRIDGE 420BAR		-
3	A428740	1	DIVERTER VALVE CARTRIDGE 420BAR		-
4	A428584	1	VALVE CARTRIDGE SPOOL VALVE 3/2		-
5	66452	1	SOLENOID 12VDC/19W		-
6	A428743	2	CHECK VALVE CARTRIDGE 420BAR		-
7	64407	7	HEXAGONAL PLUG R 1/8" WITH PACKING		-
8	74411	2	HEXAGONAL PLUG HF 3/8" HTUNG		-
9	A449892	4	BASIC FITTING G1/2" M24*1,5		-
10	64087	1	ELBOW FITTING 90 DEGR. /4#		-
11	64044	1	ELBOW FITTING 90° C40XS10-3/8 /8		-
12	A428739	1	FLOW RESTRICTOR M6/0,7MM		-
13	75113	2	O-RING NBR F 31,42*2,62 90SH		-
14	A428795	1	SEAL KIT HYDRAULIC MANIFOLD A421617		-

15.6.2023

DKOS fittings from 2022 week 26

# A454023 HYDRAULIC MANIFOLD 1-SPEED DRIVE RELEASE

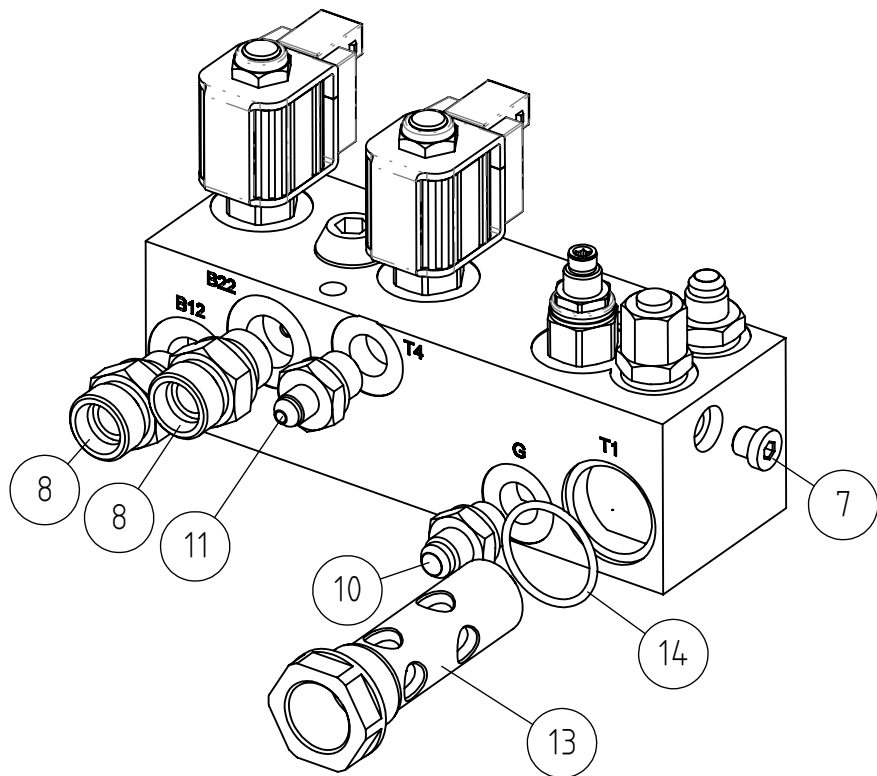


**HUOM!**  
Nimike A454023 sisältää  
osat 1 - 12

Tiivistesarja 15 sisältää  
osien 1, 2, 4 ja 6  
tiivisteet

**NOTE!**  
Item A454023 includes  
parts 1 - 12

Seal kit [#error: broken link](#) includes  
seals for parts 1, 2, 4  
and 6



15.6.2023

DKOS fittings from 2022 week 26

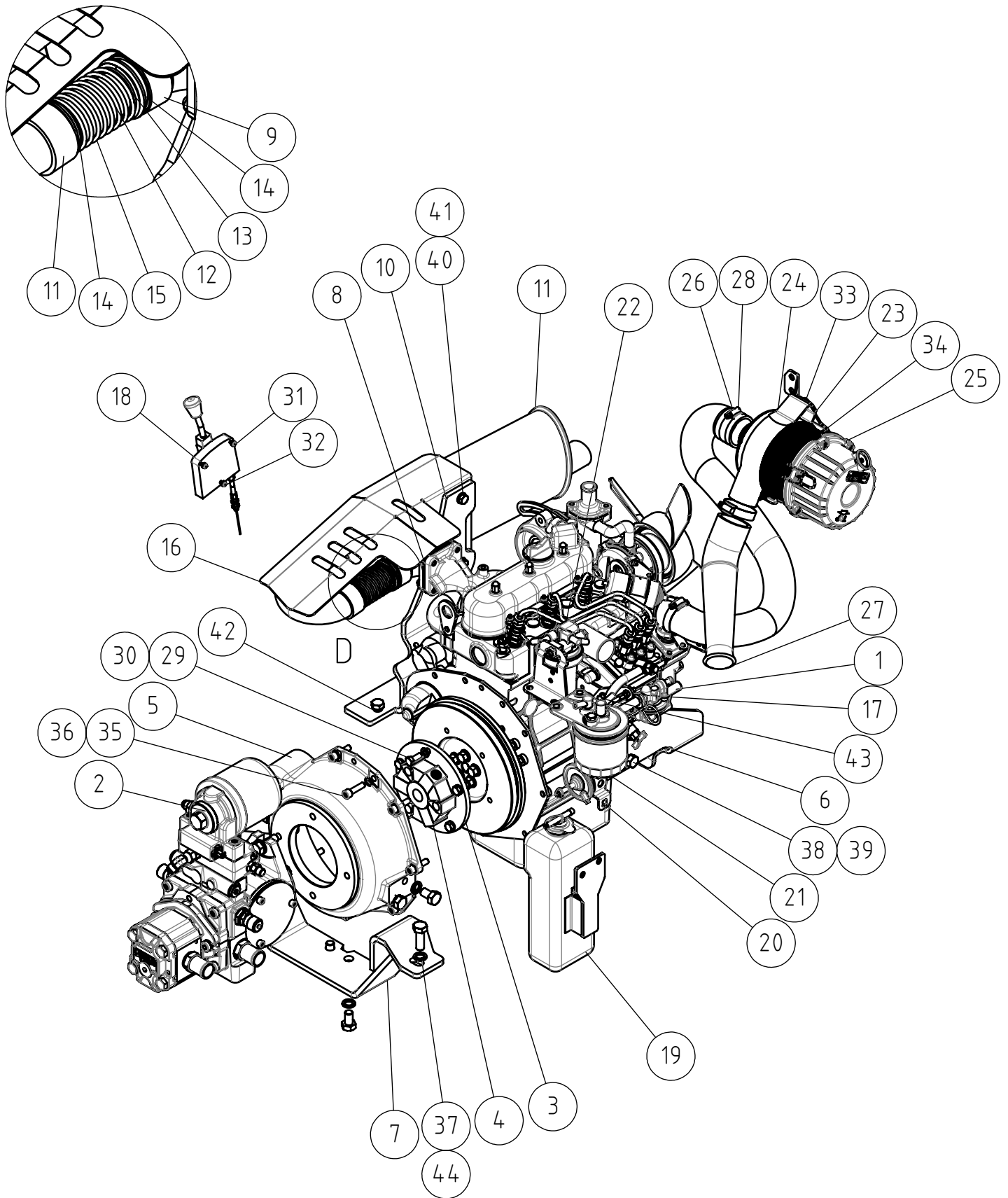
**A454023 HYDRAULIC MANIFOLD 1-SPEED DRIVE RELEASE**

REF	PART NO	QTY	DESCRIPTION	NOTES	PAGE
1	A428734	2	PRESSURE RELIEF VALVE CARTRIDGE 380BAR		-
2	A432309	1	VALVE CARTRIDGE DRIVE RELEASE OPTIDRIVE		-
3	A428738	1	FLOW RESTRICTOR M6/1,0MM		-
4	A428584	1	VALVE CARTRIDGE SPOOL VALVE 3/2		-
5	66452	2	SOLENOID 12VDC/19W		-
6	A428735	1	PRESSURE RELIEF VALVE CARTRIDGE 30BAR		-
7	64407	2	HEXAGONAL PLUG R 1/8" WITH PACKING		-
8	A449892	4	BASIC FITTING G1/2" M24*1,5		-
9	64059	1	BASIC FITTING F40XS10-1/4		-
10	64041	3	BASIC FITTING F40XS10-3/8 /8		-
11	64313	1	BASIC FITTING F40XS6-3/8"		-
12	64232	1	FITTING HEAD FNTXS10		-
13	A421825	1	BANJO BOLT, HYDR. MANIFOLD		-
14	75112	2	O-RING NBR F 32,99*2,62 90SH		-
15	A428793	1	SEAL KIT HYDRAULIC MANIFOLD A421616		-

15.6.2023

Kubota D722

# A424299 ENGINE D722 ASSEMBLY





15.6.2023

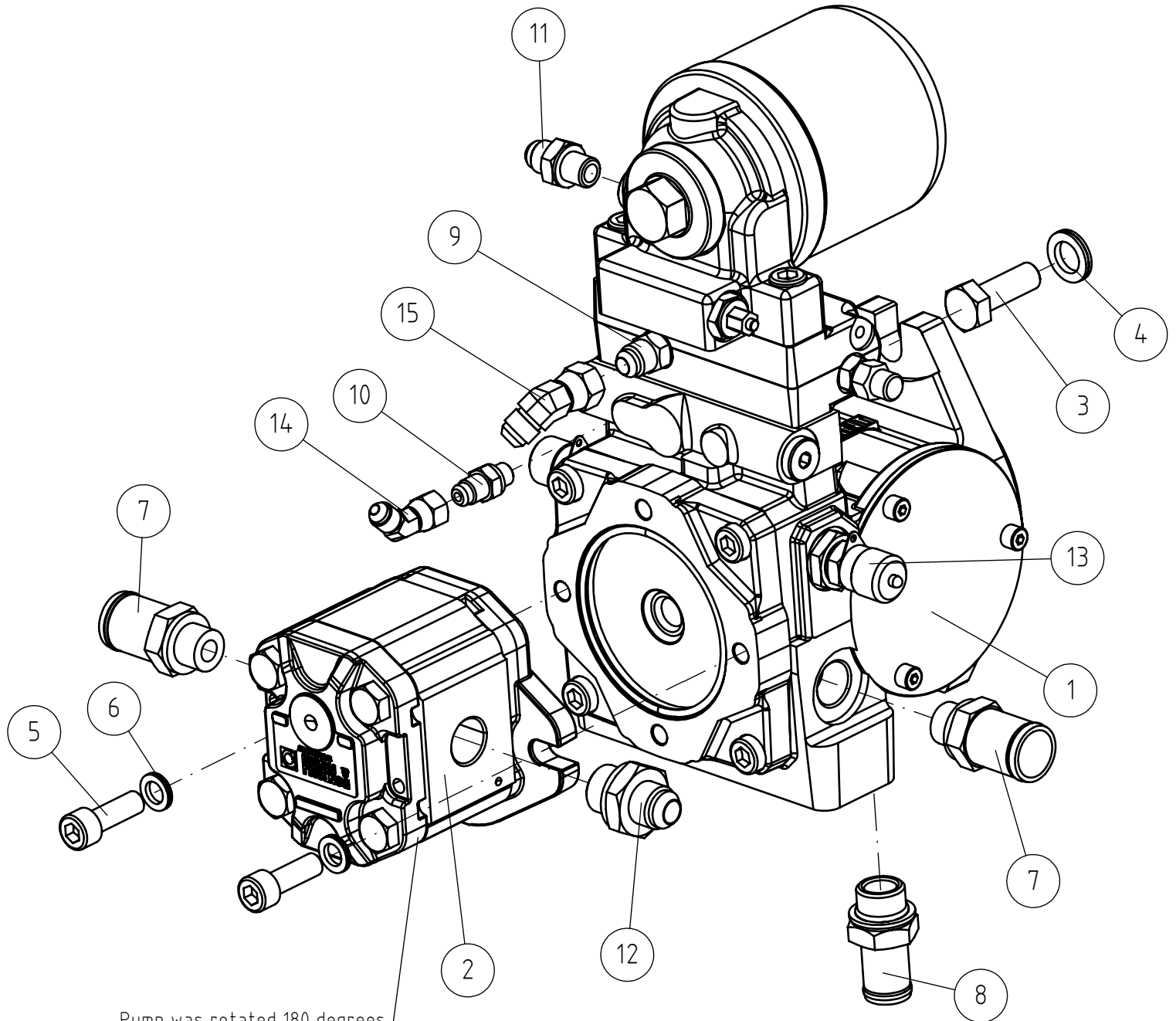
Kubota D722

**A424299 ENGINE D722 ASSEMBLY**

REF	PART NO	QTY	DESCRIPTION	NOTES	PAGE
1	64409	1	DIESEL ENGINE KUBOTA D722 WITHOUT RADIAT		-
2	A37578	1	HYDRAULIC PUMPS ASSEMBLY 520 OPTIDRIVE		98
3	A44462	1	ADAPTER FLANGE TO CENTAFLEX 4 COUPLING		-
4	64686	1	COUPLING CENTAFLEX A004-1-AVANT3 Z=13		-
5	64375	1	FLYWHEEL HOUSING KUBOTA SAE B FLANGE		-
6	A423137	1	MOUNTING BRACKET REAR, ENGINE D722 / 520		-
7	A415145	1	MOUNTING BRACKET, FRONT, ENGINE		-
8	64280	1	SEAL, EXHAUST PIPE, KUBOTA Z482/D722		-
9	A48482	1	CONNECTING PIPE, EXHAUST MUFFLER		-
10	A48475	1	BRACKET, EXHAUST MUFFLER		-
11	A48476	1	EXHAUST MUFFLER		-
12	A46004	1	EXHAUST PIPE, OUTER		-
13	A46003	1	EXHAUST PIPE, INNER		-
14	A46002	2	RING		-
15	A46005	1	SPRING 3*41*140 NT 8,5		-
16	A420183	1	HEAT SHIELD EXHAUST PIPE		-
17	A42156	1	BRACKET, THROTTLE WIRE		-
18	A420564	1	HAND THROTTLE CONTROL DEVICE WITH WIRE		-
18.1	A47712	1	THROTTLE WIRE L=3000/2700		-
19	65067	1	OVERFLOW TANK 1,30 L RADIATOR KUBOTA		-
20	64625	1	FUEL PUMP ELECTR.		-
21	64868	1	FUEL FILTER, KIT 16613-43001		-
21.1	64626	1	FUEL FILTER CARTRIDGE 15221-4308-0		-
22	64920	1	WATER SEQUESTER, KIT, KUBOTA 16614-43001		-
23	A422697	1	BRACKET, AIR FILTER		-
24	66468	1	CLAMP, AIR FILTER 66469		-
25	66469	1	AIR FILTER, COMPLETE, D902, 423/523		-
25.1	66516	1	AIR FILTER CARTRIDGE 423/523 KUBOTA D902		-
26	A416516	1	INLET HOSE		-
27	A419968	1	SUCTION DAMPER AIR FILTER 420-523		-
28	64338	3	HOSE CLAMP ABA 44-56 MM		-
29	72130	5	HEXAGONAL SCREW M8*20		-
30	73962	5	WASHER M 8 DIN 127		-
31	74582	3	CROSS-SLOT COUNTERSUNK HEAD SCREW M4*25		-
32	72313	3	HEXAGONAL NUT M4 DIN 985 NYLOC		-
33	75131	2	BUTTON HEAD SOCKET CAP SCREW M8*12 10.9		-
34	72319	6	HEXAGONAL NUT M8 DIN 934		-
35	73100	7	HEXAGONAL HEAD SCREW M8*30 DIN 912 2		-
36	75100	7	SPACER NORDLOCK M8 NL8, PAIR		-
37	74532	9	WASHER NORDLOCK NL12		-
38	74789	8	HEXAGONAL SCREW M10*1,25-20		-
39	74531	10	SPACER NORDLOCK M10, PAIR		-
40	72133	2	HEXAGONAL SCREW M8*30 DIN 933		-
41	63944	8	WASHER, PAIR, NORD-LOCK M8		-
42	72150	2	HEXAGONAL SCREW M10*25 DIN 933 ZN		-
43	73039	2	HEXAGONAL SCREW M 8*16 DIN 933 ZN		-
44	73042	3	HEX. SCREW M12*35 DIN 933 ZN		-
45	72165	6	HEXAGONAL SCREW M12*20 DIN 933		-

15.6.2023

# A37578 HYDRAULIC PUMPS ASSEMBLY 520 OPTIDRIVE



Pump was rotated 180 degrees until week 15/2023

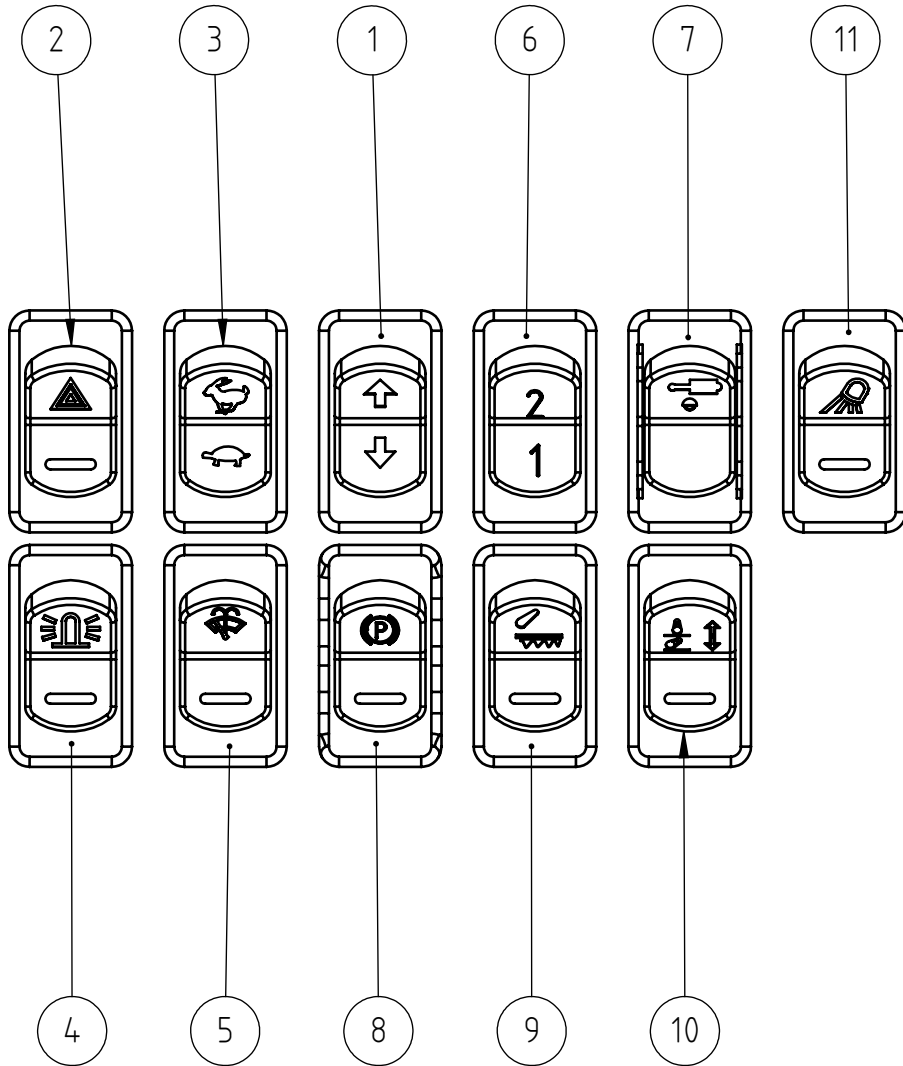
15.6.2023

**A37578 HYDRAULIC PUMPS ASSEMBLY 520 OPTIDRIVE**

REF	PART NO	QTY	DESCRIPTION	NOTES	PAGE
1	66424	1	VARIABLE DISPL. PUMP 520/R20 HP P2A 19		-
2	65052	1	GEAR PUMP HP P2 019		-
3	73042	2	HEX. SCREW M12*35 DIN 933 ZN		-
4	74690	2	WASHER NORDLOCK M14 NL14		-
5	74467	2	HEXAGONAL HEAD SCREW M10* 30 DIN 912		-
6	74531	2	SPACER NORDLOCK M10, PAIR		-
7	66240	2	HOSE BARB R1/2"UK-25 MM L=53,5		-
8	66428	1	HOSE BARB R1/2"UK - 20MM		-
9	64346	1	BASIC FITTING F40XS10-1/8"		-
10	64793	2	BASIC FITTING F40XS6-1/8"		-
11	64059	1	BASIC FITTING F40XS10-1/4		-
12	64058	1	BASIC FITTING F40XS12-1/2		-
13	64196	2	MANOMETER FITTING M16*2		-
14	65587	2	ELBOW FITTING 45° UNF 7/16" JIC		-
15	65201	1	ELBOW FITTING 45 DEG. V6SX10		-

15.6.2023

# A414821 ROCKER SWITCHES, ALL



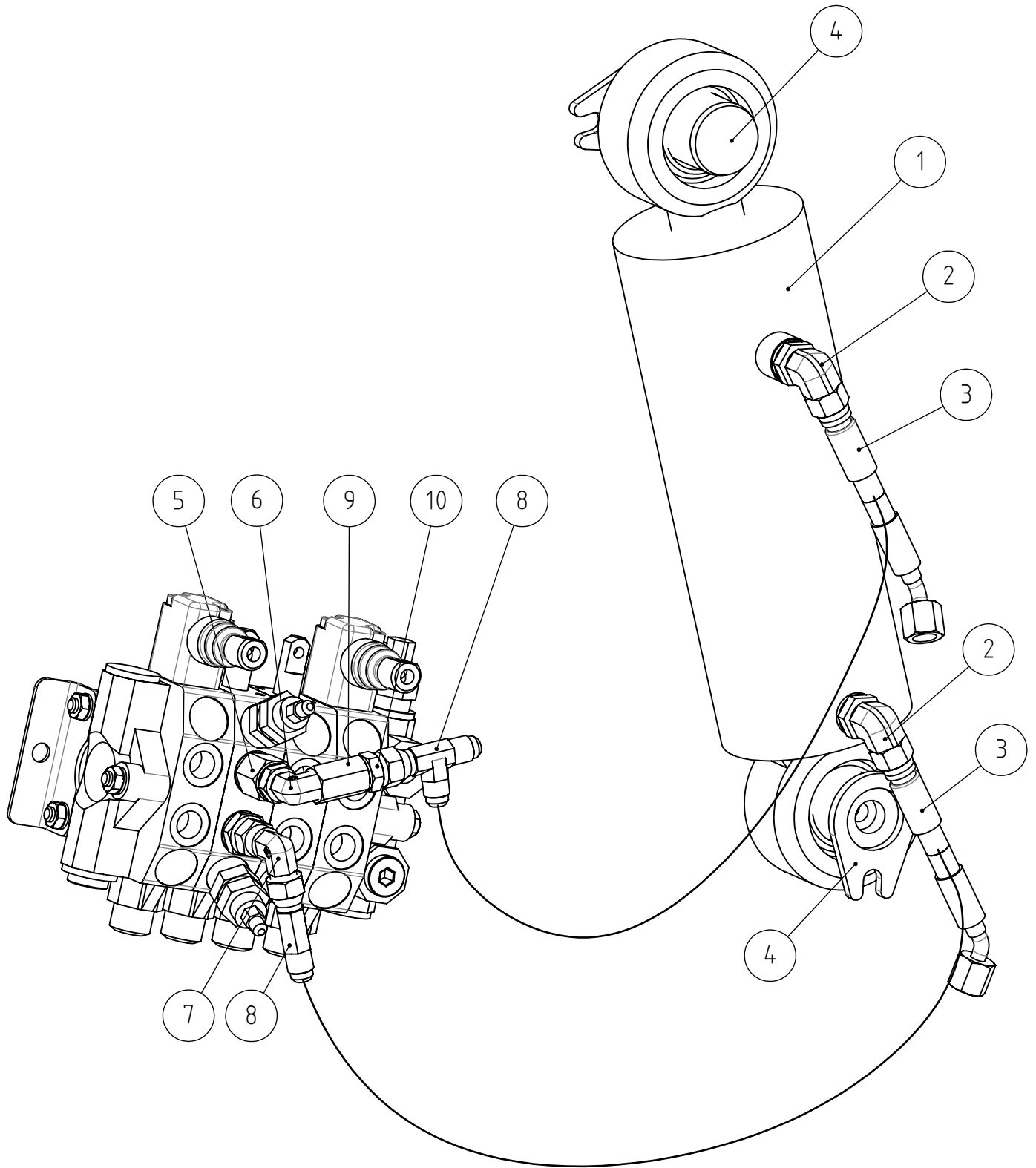
15.6.2023

**A414821 ROCKER SWITCHES, ALL**

REF	PART NO	QTY	DESCRIPTION	NOTES	PAGE
1	65476	1	SWITCH, 2 DIRECTIONS		-
2	65064	1	SWITCH, WARNING BLINKER		-
3	65246	1	SWITCH, DRIVE SPEED AREA, 750		-
4	65065	1	SWITCH, BEACON		-
5	65063	1	SWITCH, WIPER/WASHER		-
6	65276	1	ROCKER SWITCH, REAR AUXILIARY HYDRAULICS		-
7	65448	1	ROCKER SWITCH, HYDR. QUICK ATTACH PLATE		-
8	65216	1	SWITCH, PARKING BRAKE		-
9	65277	1	ROCKER SWITCH, FLOATING, HYDR. REAR LIFT		-
10	65278	1	ROCKER SWITCH, HYDR. REAR LIFT		-
11	65066	1	SWITCH, WORK LIGHT		-

15.6.2023

# A35553 BOOM SELF LEVELLING, 500 & E SERIES



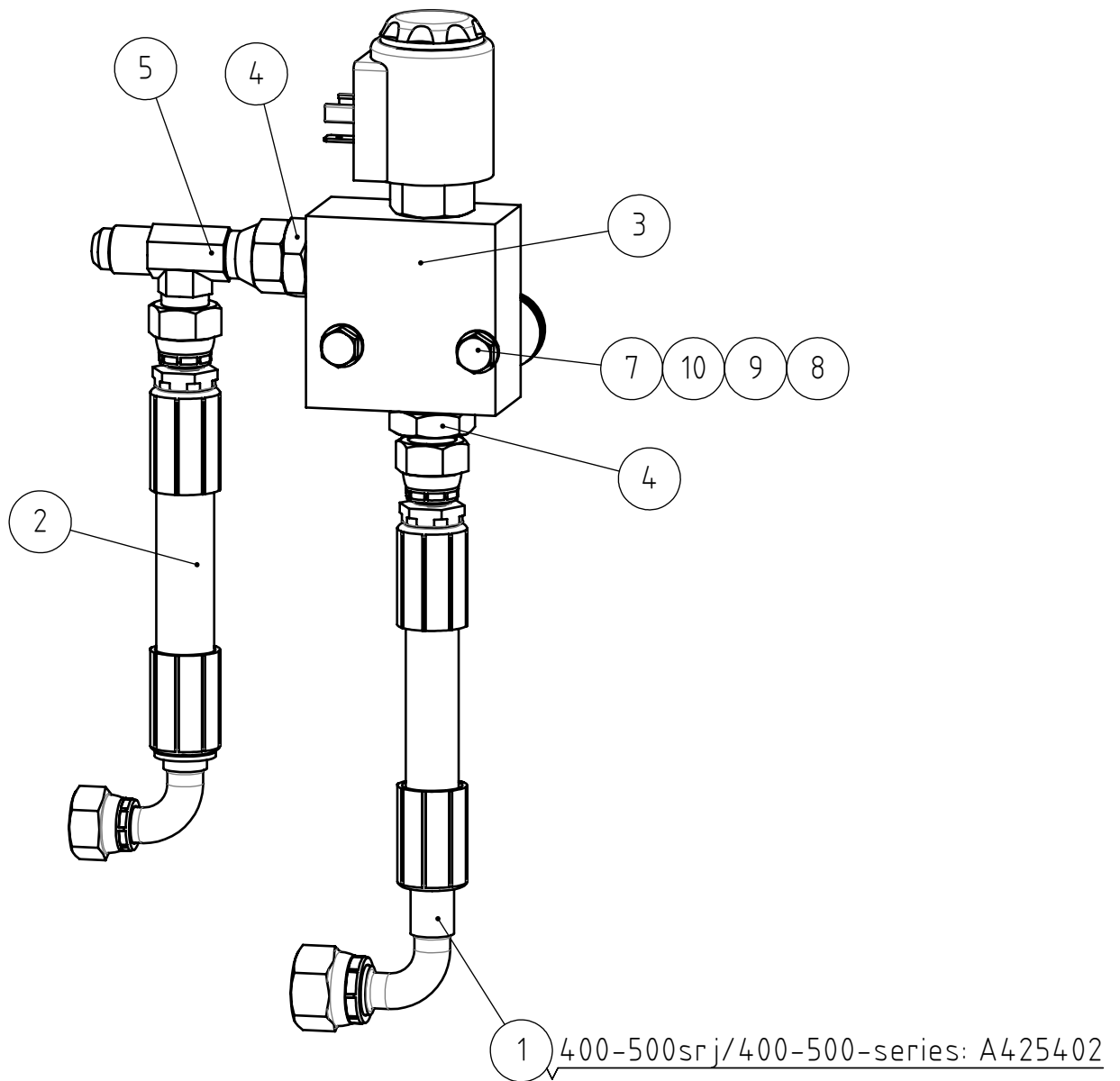
15.6.2023

**A35553 BOOM SELF LEVELLING, 500 & E SERIES**

REF	PART NO	QTY	DESCRIPTION	NOTES	PAGE
1	A47920	1	HYDR. CYLINDER F90/F40-142		-
1.1	65005	1	SEAL KIT, CYLINDER 90/40 A47920 A47921		-
1.2	64911	2	ARTICUL. BEARING GE40ES F62/40-28(22)		-
2	64044	2	ELBOW FITTING 90° C40XS10-3/8 /8		-
3	A47640	2	HYDR. HOSE L=2050 2LW-04		-
4	A47041	2	PIVON PIN F40-90		-
5	64324	1	REDUCER FITTING RI 3/8"-EDX 1/4"		-
6	64087	1	ELBOW FITTING 90 DEGR. /4#		-
7	64043	1	ELBOW FITTING 90° C6XS10		-
8	64078	2	L-FITTING BODY R6XS10		-
9	64195	1	TEST FITTING TT4XS10-1/4"		-
10	64059	1	BASIC FITTING F40XS10-1/4		-

15.6.2023

# A47773 BOOM FLOATING, MACHINE WITHOUT SELF





15.6.2023

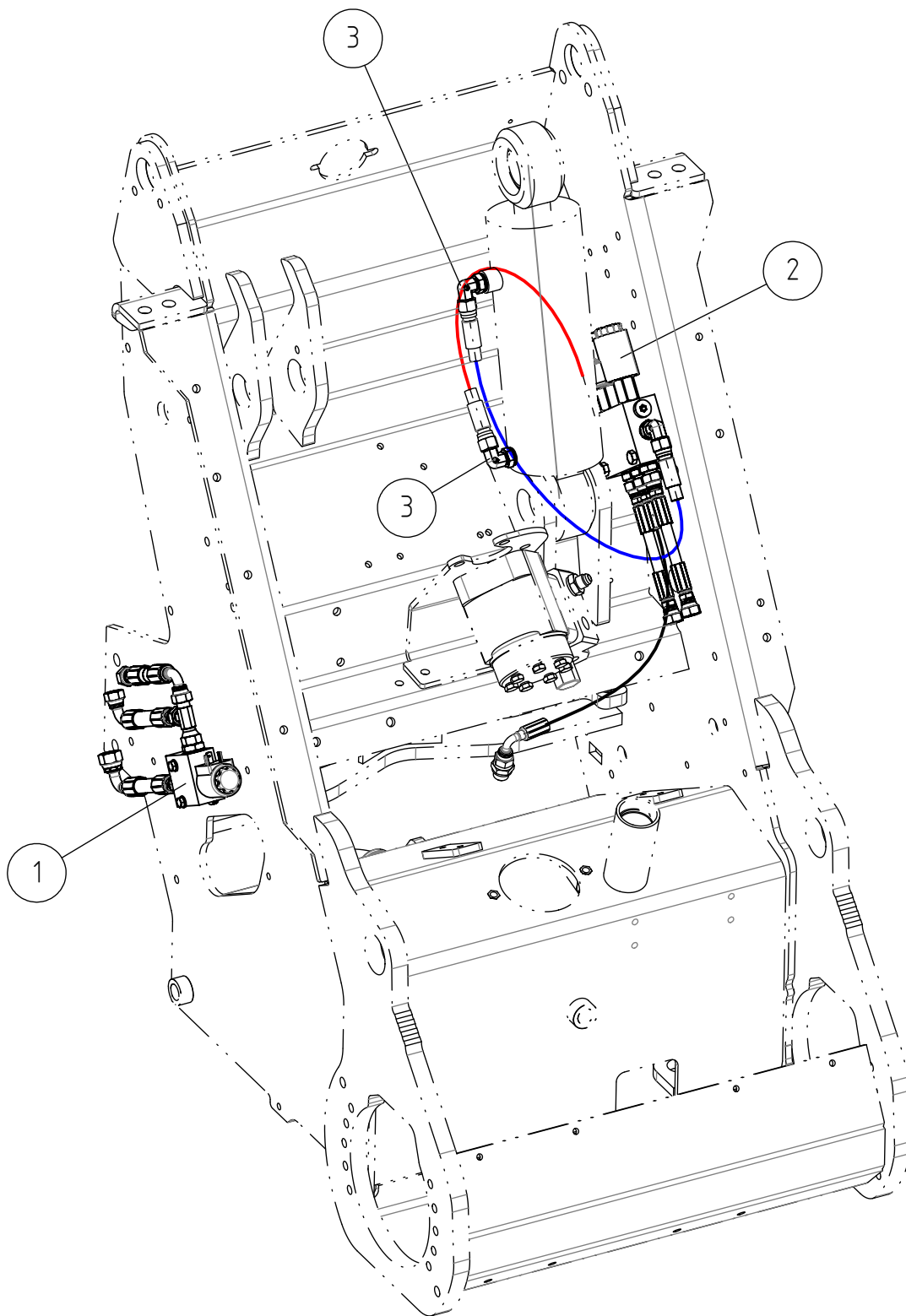
**A47773 BOOM FLOATING, MACHINE WITHOUT SELF**

REF	PART NO	QTY	DESCRIPTION	NOTES	PAGE
1	A445641	1	HYDR. HOSE L=840		-
2	A445095	1	HYDR. HOSE L=880		-
3	64676	1	SOLENOID VALVE WK08W-01-SB3-N-12DG		-
4	64041	2	BASIC FITTING F40XS10-3/8 /8		-
5	64078	1	L-FITTING BODY R6XS10		-
6	A47841	1	WIRE HARNESS, BOOM FLOAT 600 SERIES		-
7	72125	2	HEXAGONAL SCREW M6* 60 DIN 921		-
8	72318	2	HEXAGONAL NUT M 6 DIN 985 NYLOC		-
9	71681	6	WASHER M6 DIN 440		-
10	71680	2	WASHER M6 DIN 125		-

15.6.2023

Boom floating when self levelling

# A34015 BOOM FLOATING, WHEN SELF LEVELLING



15.6.2023

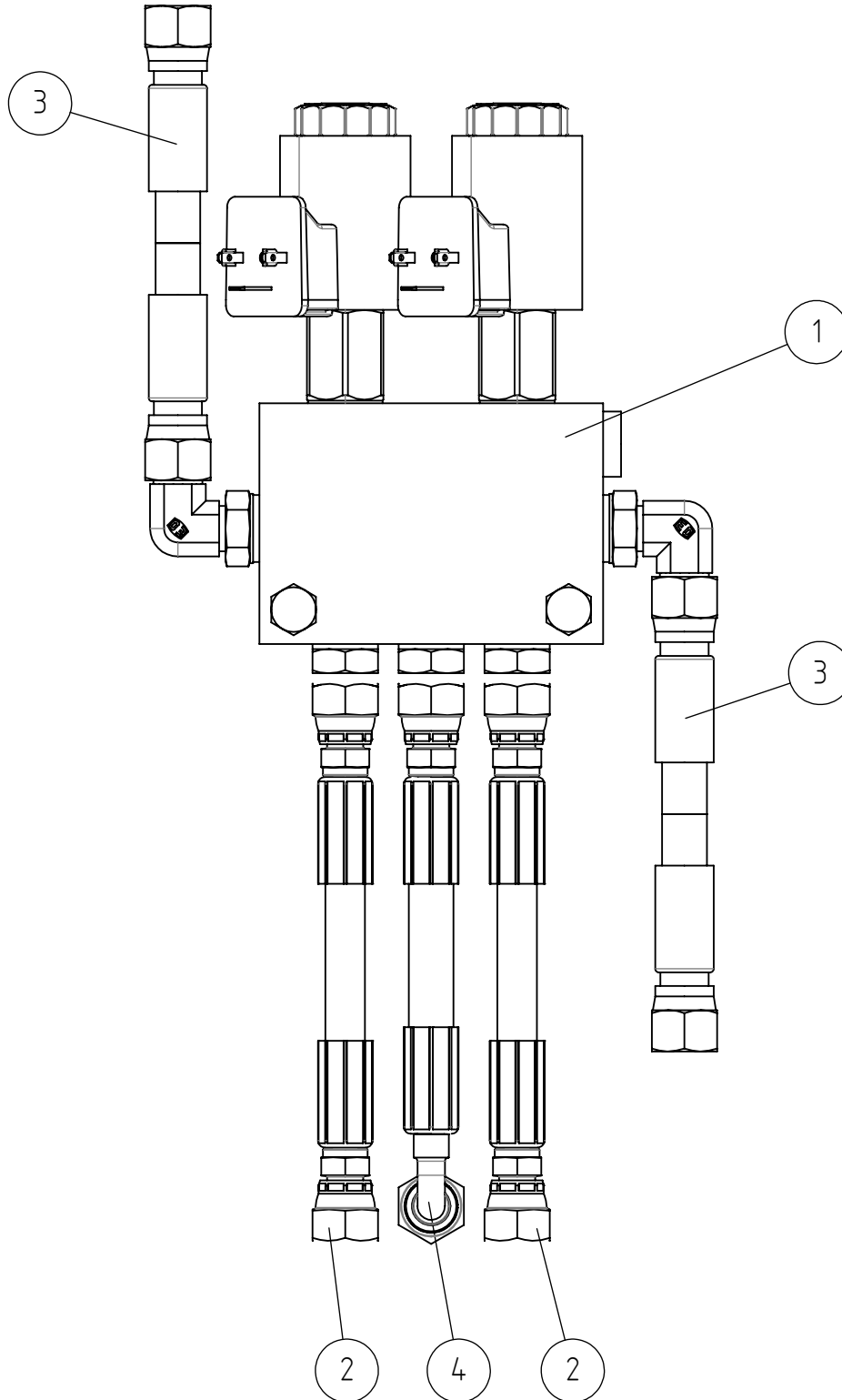
Boom floating when self levelling

**A34015 BOOM FLOATING, WHEN SELF LEVELLING**

REF	PART NO	QTY	DESCRIPTION	NOTES	PAGE
1	A47773	1	BOOM FLOATING, MACHINE WITHOUT SELF		104
2	A448287	1	VALVE & HOSES, BYPASS SELF LEVELLING		108
3	64087	2	ELBOW FITTING 90 DEGR. /4#		-
4	A49716	1	WIRE HARNESS, BOOM FLOATING		-

15.6.2023

# A448287 VALVE & HOSES, BYPASS SELF LEVELLING



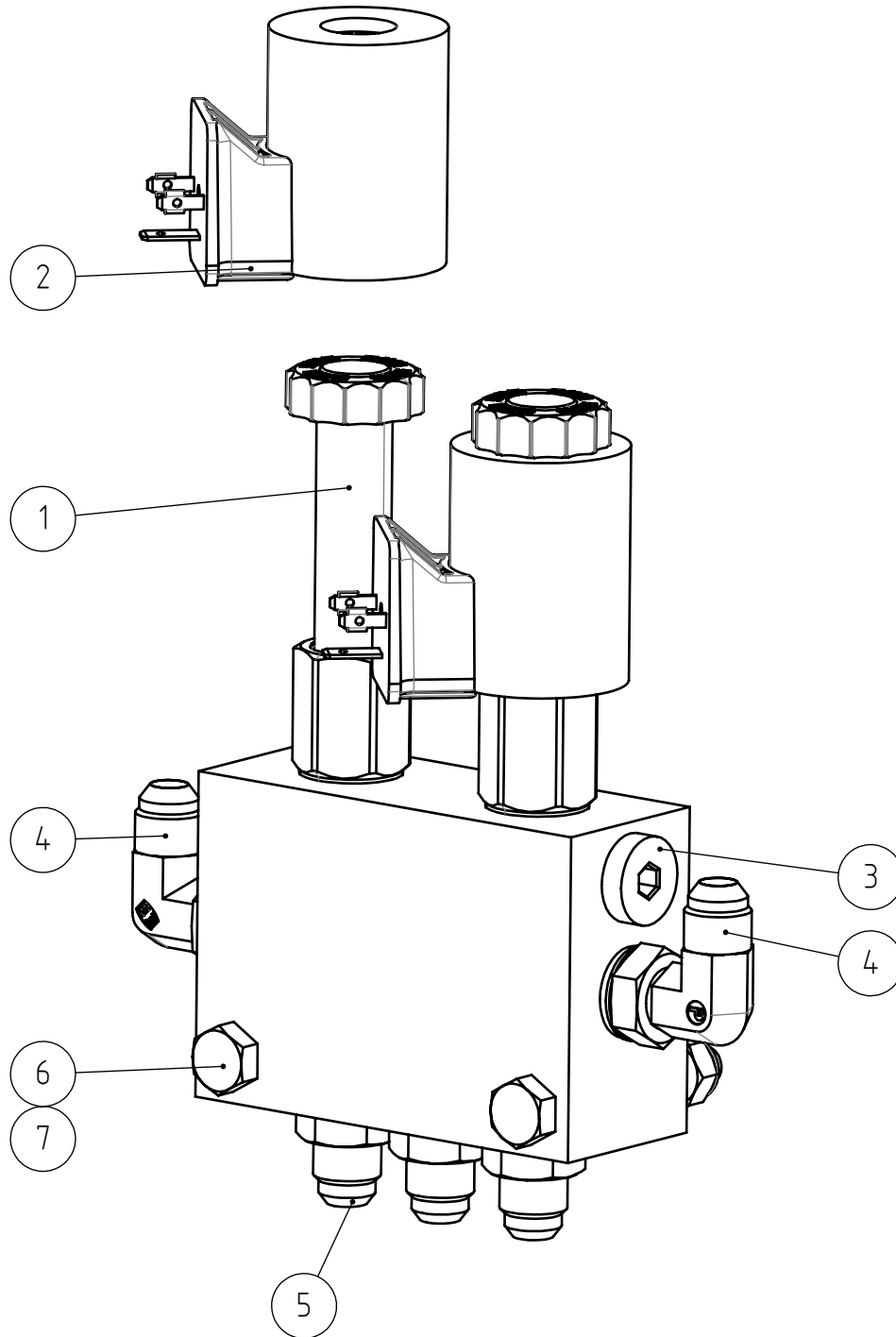
15.6.2023

**A448287 VALVE & HOSES, BYPASS SELF LEVELLING**

REF	PART NO	QTY	DESCRIPTION	NOTES	PAGE
1	A433694	1	VALVE ASSEMBLY BOOM FLOAT/SELF LEVELLING		110
1.1	A433695	2	VALVE CARTRIDGE 3/2 350BAR 30 L/MIN		-
1.2	A433696	2	SOLENOID 12VDC/25W + DIODE		-
2	A448259	2	HYDR. HOSE L=1750		-
3	A44472	2	HYDR. HOSE L=720 JIC10-JIC10 FLOATING BO		-
4	A410096	1	HYDR. HOSE L=450		-

15.6.2023

# A433694 VALVE ASSEMBLY BOOM FLOAT/SELF LEVELLING



15.6.2023

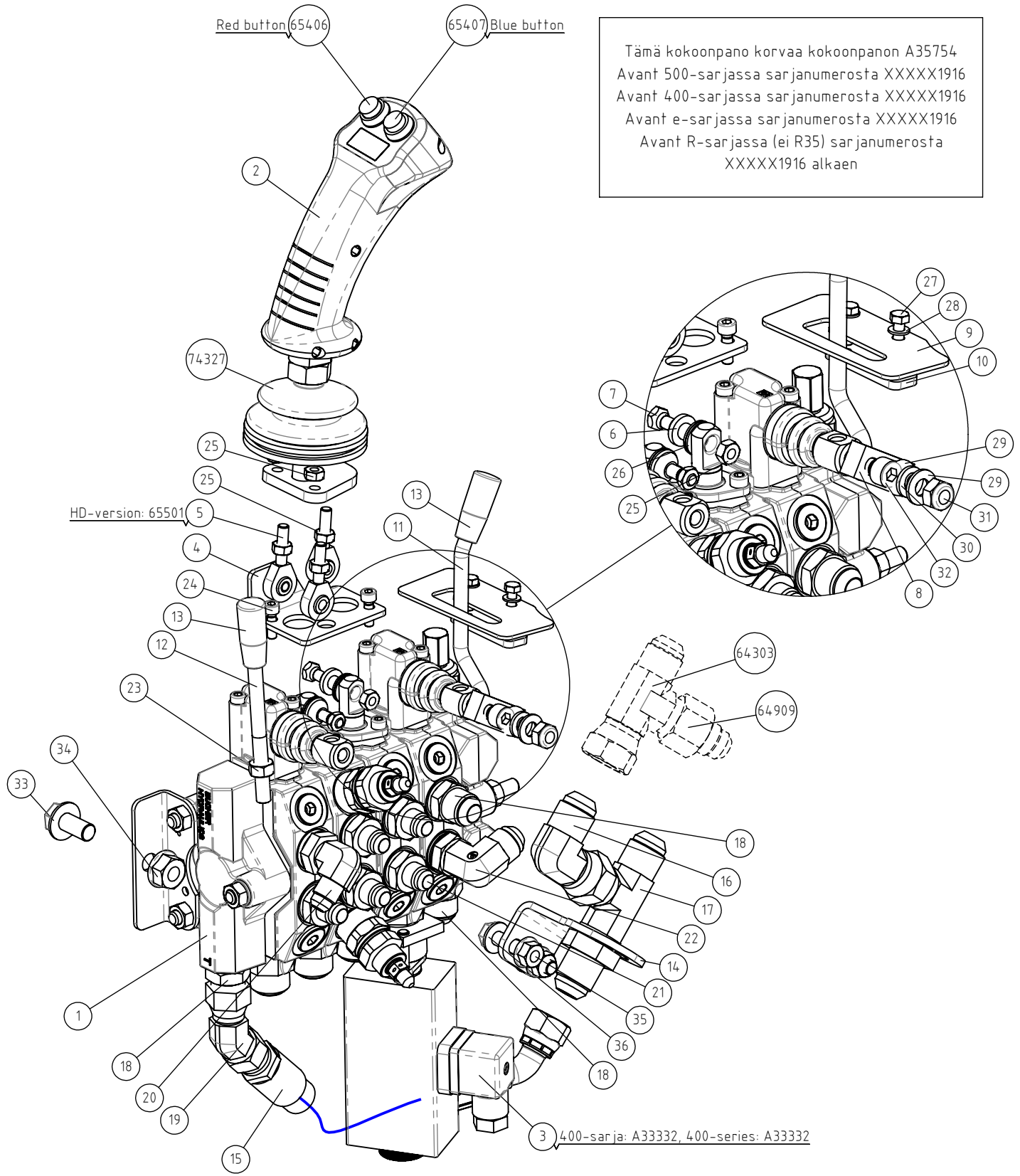
**A433694 VALVE ASSEMBLY BOOM FLOAT/SELF LEVELLING**

REF	PART NO	QTY	DESCRIPTION	NOTES	PAGE
1	A433695	2	VALVE CARTRIDGE 3/2 350BAR 30 L/MIN		-
1.1	A443091	1	SEAL KIT VALVE CARTRIDGE 990411007 T-11A		-
2	A433696	2	SOLENOID 12VDC/25W + DIODE		-
3	64700	1	HEXAGONAL PLUG R 1/4"		-
4	64087	2	ELBOW FITTING 90 DEGR. /4#		-
5	64059	3	BASIC FITTING F40XS10-1/4		-
6	72139	2	HEXAGONAL SCREW M 8*60 DIN 931		-
7	72320	2	HEXAGONAL NUT M8 NYLOC DIN 985		-
-	A433695	2	VALVE CARTRIDGE 3/2 350BAR 30 L/MIN		-
-	A433696	2	SOLENOID 12VDC/25W + DIODE		-

15.6.2023

A430922 from XXXXX1916

# A434045 CONTROL VALVE 6-FUNCT JOYSTICK 400/500



Tämä kokoonpano korvaa kokoonpanon A35754  
 Avant 500-sarjassa sarjanumerosta XXXXX1916  
 Avant 400-sarjassa sarjanumerosta XXXXX1916  
 Avant e-sarjassa sarjanumerosta XXXXX1916  
 Avant R-sarjassa (ei R35) sarjanumerosta  
 XXXXX1916 alkaen



15.6.2023

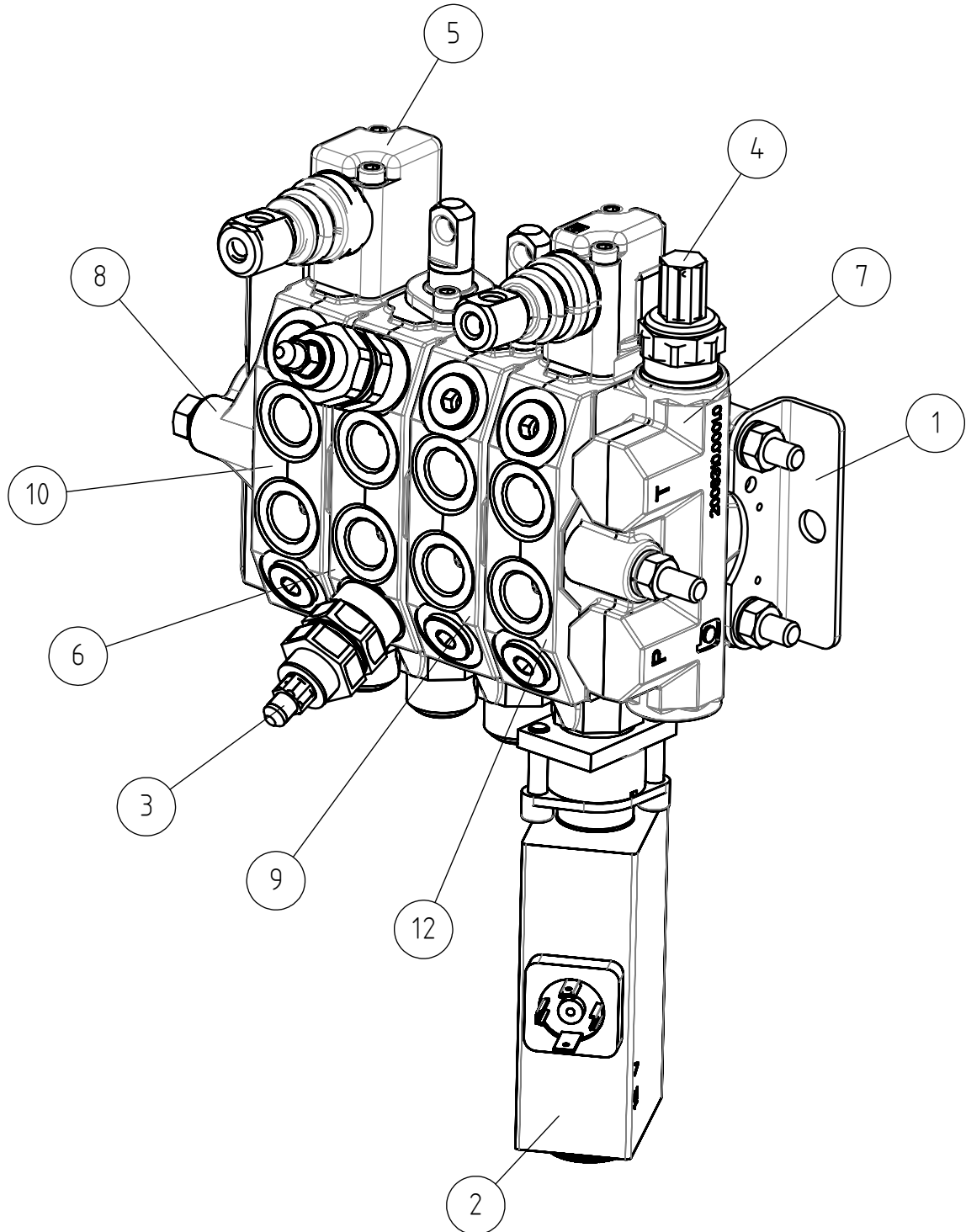
A430922 from XXXXX1916

**A434045 CONTROL VALVE 6-FUNCT JOYSTICK 400/500**

REF	PART NO	QTY	DESCRIPTION	NOTES	PAGE
1	A430922	1	CONTROL VALVE 6-FUNCT JOYSTICK 400/500		114
2*	A424241	1	JOYSTICK 6 FUNCTION ASSEMBLY	Two buttons	-
2.1	65406	1	PUSHBUTTON, RED, AUX. HYDR. JOYSTICK		-
2.2	65407	1	PUSHBUTTON, BLUE, JOYSTICK, AUX. HYDR.		-
2**	A423576	1	JOYSTICK 6 FUNCTION WITH ANTI SLIP	Two buttons + trigger	-
2.1	65406	1	PUSHBUTTON, RED, AUX. HYDR. JOYSTICK		-
2.2	65407	1	PUSHBUTTON, BLUE, JOYSTICK, AUX. HYDR.		-
3	A424994	1	WIRE HARNESS SOLENOID VALVE 528-700		-
4	A42838	1	BRACKET, LINKAGE CONTROL LEVER		-
5	63690	3	ROD END BEARING ASAHI JAM 6		-
6	A41821	2	PIN, CONTROL LEVERS		-
7	A41822	2	LEVERAGE NUT M 6		-
8	A43092	1	CONNECTING PIECE, CONTROL LEVER		-
9	A48498	1	LOCKING PLATE, CONTROL LEVER		-
10	A48360	1	LOCKING PIECE		-
11	A410950	1	CONTROL LEVER, AUX. HYDR.		-
12	A411056	1	CONTROL LEVER, TELESCOPIC BOOM		-
13	74761	2	KNOB, CONTROL LEVER		-
14	A415907	1	PLATE, CONTROL VALVE, RETURN LINE		-
15	A420374	1	HYDR. HOSE L=300		-
16	64306	1	ELBOW FITTING 90 DEGR. C6XS16		-
17	65062	1	LEAD THROUGH FITTING		-
18	64042	3	BASIC FITTING F40XS12-3/8 /8		-
19	64884	1	ELBOW FITTING 45 DEGR. V6SX12		-
20	64044	1	ELBOW FITTING 90° C40XS10-3/8 /8		-
21	64041	5	BASIC FITTING F40XS10-3/8 /8		-
22	64068	1	ELBOW FITTING 90 DEGR. C40XS12-3/8 /8		-
23	72319	1	HEXAGONAL NUT M8 DIN 934		-
24	74472	2	HEXAGONAL HEAD SCREW M 5*16 DIN 912 ZN		-
25	72317	8	HEXAGONAL NUT M6 DIN 934		-
26	63944	2	WASHER, PAIR, NORD-LOCK M8		-
27	72110	2	HEX. SCREW M5*16 DIN 933		-
28	74448	2	WASHER M5 A5,3 DIN 125 ZN		-
29	73122	2	WASHER M8 A8,4 DIN 125 ZN		-
30	73962	1	WASHER M 8 DIN 127		-
31	72320	1	HEXAGONAL NUT M8 NYLOC DIN 985		-
32	74481	1	HEXAGONAL HEAD SCREW M8*20 DIN 912 ZN		-
33	A432196	2	HEXAGONAL SERRATED SCREW M10*20 W. FLANG		-
34	74783	2	HEXAGONAL NUT M10 WITH FLANGE		-
35	74782	2	HEXAGONAL NUT M8 WITH FLANGE		-
36	A429201	2	HEXAGONAL SERRATED SCREW M8*20 WITH FLAN		-

15.6.2023

# A430922 CONTROL VALVE 6-FUNCT JOYSTICK 400/500



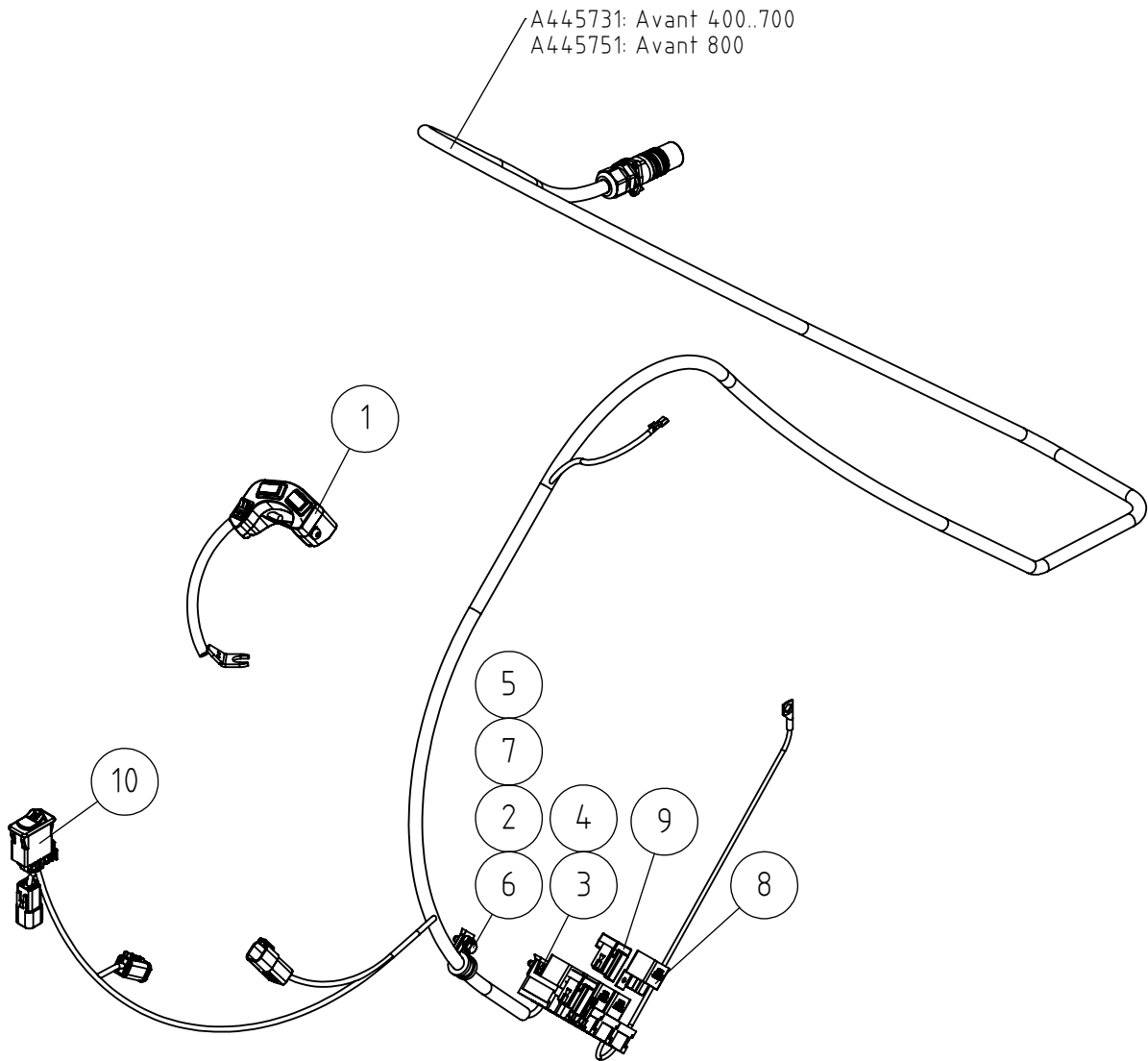
15.6.2023

**A430922 CONTROL VALVE 6-FUNCT JOYSTICK 400/500**

REF	PART NO	QTY	DESCRIPTION	NOTES	PAGE
1	A430922	1	CONTROL VALVE 6-FUNCT JOYSTICK 400/500		114
2	A434106	1	SOLENOID 12VDC/60W PUSH-PULL		-
3	64276	1	SHOCK & ANTI-CAV. VALVE HDS10 ADJUSTABLE		-
4	A431043	1	PRESSURE RELIEF VALVE CARTRIDGE HDS11/15		-
5	65524	1	LEVER MOUNTING BRACKET CONTR VALVE HDS11		-
6	64710	1	VALVE SEGMENT, TILT, WITH SHOCK 500 SERI		-
7	A450750	1	VALVE SEGMENT MAIN PRESSURE RELIEF		-
8	A450751	1	VALVE SEGMENT HDS11 END SEGMENT		-
9	A450753	1	VALVE SEGMENT LIFT CYLINDER		-
10	A450758	1	VALVE SEGMENT TELESCOPE / REAR AUX.		-
11	64349	1	SEAL KIT, CONTROL VALVE SECTION HDS10/11		-
12	A439124	1	VALVE SEGMENT HDS11 PUSH-PULL		-

15.6.2023

# A36878 ATTACHMENT CONTROL SWITCH PACK

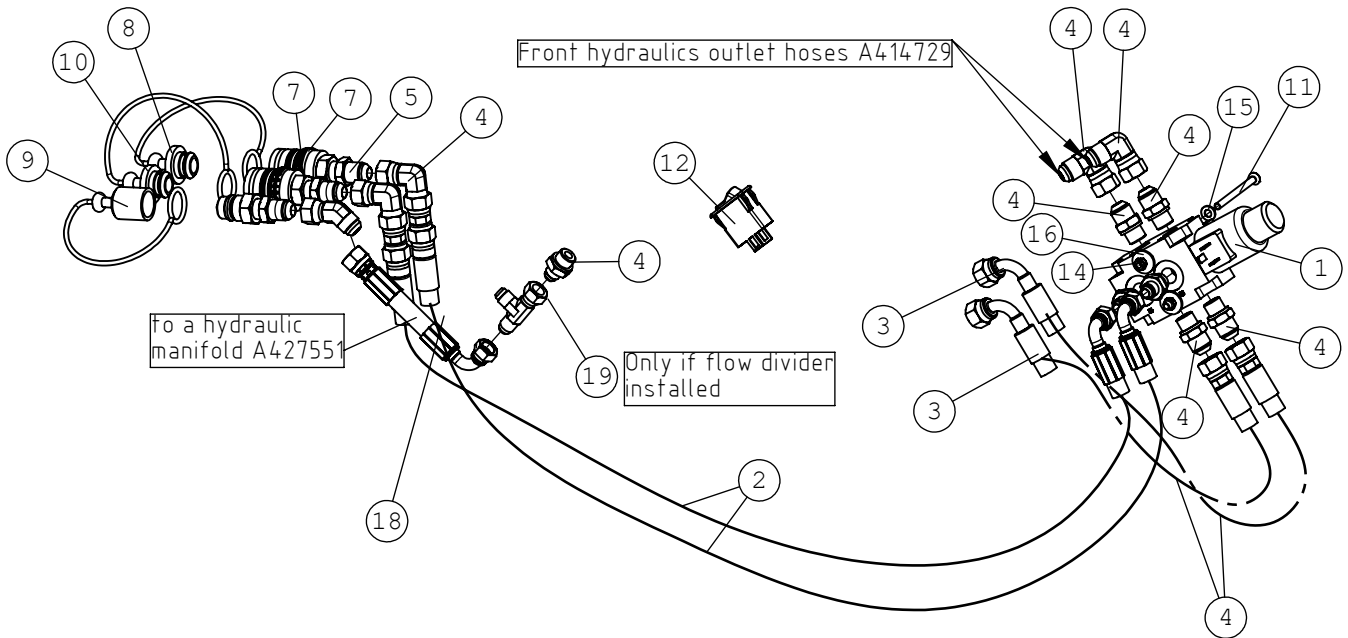


15.6.2023

**A36878 ATTACHMENT CONTROL SWITCH PACK**

REF	PART NO	QTY	DESCRIPTION	NOTES	PAGE
1	A34716	1	SWITCH PACK		-
1.1	65431	1	ROCKER SWITCH 0-1, BLACK, 180.1146		-
1.2	65408	2	ROCKER SWITCH, BLACK, JOYSTICK		-
2	71680	1	WASHER M6 DIN 125		-
3	72110	2	HEX. SCREW M5*16 DIN 933		-
4	75172	2	SPEED NUT M5 FOR 0.5-4.0 MM PLATE		-
5	74807	1	SPEED NUT M6, FOR 0.5-4.0 MM PLATE		-
6	72118	1	HEXAGONAL SCREW M6*20 DIN 933		-
7	74837	1	PIPE CLAMP F14 MM		-
8	64679	5	RELAY 12V 20/30A		-
9	A437313	2	DIODE 4A 600V WITH CONNECTOR		-
10	A437343	1	ROCKER SWITCH OPTICONTROL		-
11	A443240	1	WIRE HARNESS OPTICONTROL		-
12	A445731	1	CONNECTING CABLE OPTICONTROL L=3100		-
13	A445751	1	CONNECTING CABLE OPTICONTROL L=3800		-

# A35881 REAR AUX. HYDR. OUTLET, DOUBLE ACTING



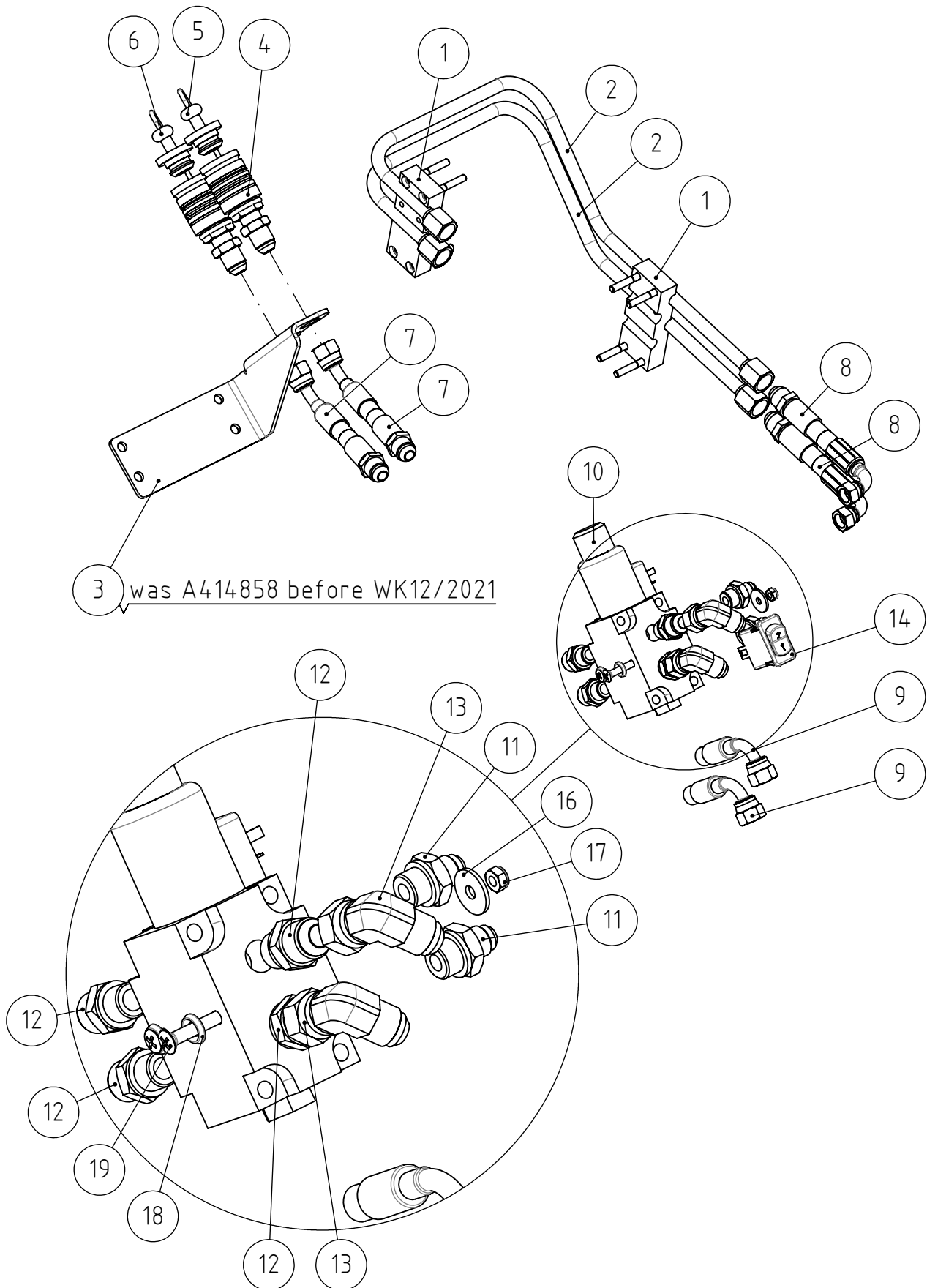
15.6.2023

**A35881 REAR AUX. HYDR. OUTLET, DOUBLE ACTING**

REF	PART NO	QTY	DESCRIPTION	NOTES	PAGE
1	65099	1	SELECTOR VALVE DFE100/6 12VDC		-
1.1	A430809	1	SOLENOID 12VDC		-
2	A47918	2	HYDR. HOSE L=3400		-
3	A47730	2	HYDR. HOSE L=600 2LW-06 JIC12-JIC12 90DG		-
4	64041	3	BASIC FITTING F40XS10-3/8 /8		-
5	64190	2	QUICK COUPLING PART 1/2" 2V54-T5X4 FEMAL		-
6	64189	1	QUICK COUPLING MALE UNION 1/2" 4V14-T5X4		-
7	74769	4	SEEGER RING A38*1,75 DIN 471		-
8	73754	1	RUBBER PLUG 1/2", TO FEMALE QUICK COUPLE		-
9	73753	1	COVER 1/2" TO MALE QUICK COUPLER		-
10	65133	1	RUBBER COVER, RED, QUICK COUPLER		-
11	74861	2	CROSS-SLOT COUNTRS. HEAD SCREW M6*80		-
12	65278	1	ROCKER SWITCH, HYDR. REAR LIFT		-
13	A49452	1	WIRE HARNESS, REAR AUX. HYDRAULICS		-
14	72318	2	HEXAGONAL NUT M 6 DIN 985 NYLOC		-
15	74768	2	WASHER CONICAL M6		-
16	71681	2	WASHER M6 DIN 440		-
17	64884	1	ELBOW FITTING 45 DEGR. V6SX12		-
18	A429507	1	HYDR. HOSE L=1600		-
19	64078	1	L-FITTING BODY R6XS10		-

15.6.2023

# A35884 EXTRA AUX. HYDR. OUTLET, FRONT, 500 SERI





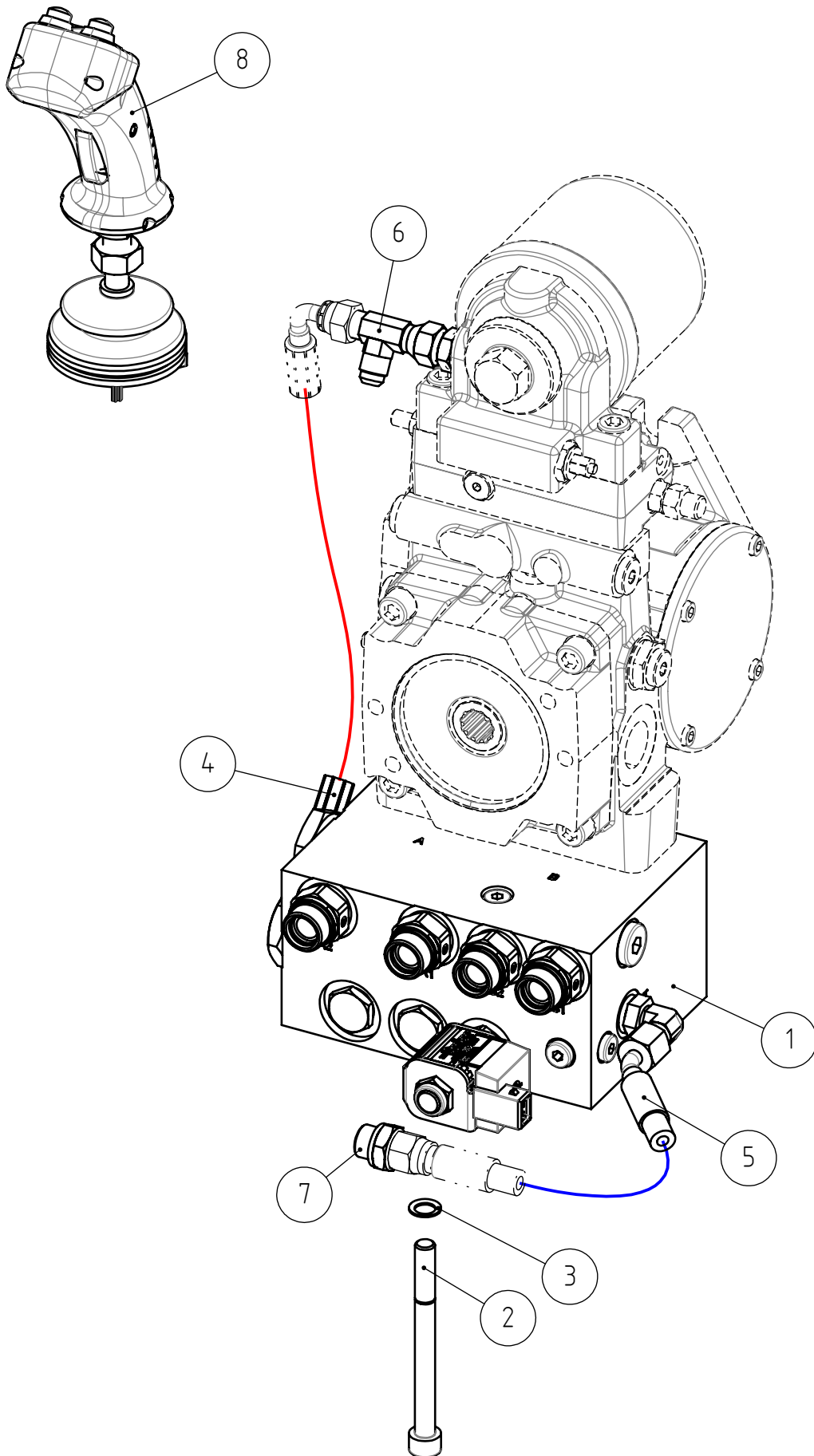
15.6.2023

**A35884 EXTRA AUX. HYDR. OUTLET, FRONT, 500 SERI**

REF	PART NO	QTY	DESCRIPTION	NOTES	PAGE
1	A414870	2	PIPE CLAMP F12		-
2	A414873	2	HYDRAULIC TUBE F12		-
3	A422154	1	MOUNTING PLATE, QUICK COUPLERS EXTRA		-
4	64190	2	QUICK COUPLING PART 1/2" 2V54-T5X4 FEMAL		-
5	73754	1	RUBBER PLUG 1/2", TO FEMALE QUICK COUPLE		-
6	65566	1	RUBBER PLUG BLUE 1/2", QUICK COUPLING		-
7	A414877	2	HYDR. HOSE L=1300		-
8	A47638	2	HYDR. HOSE L=1610 2LW-06		-
9	A47730	2	HYDR. HOSE L=600 2LW-06 JIC12-JIC12 90DG		-
10	65099	1	SELECTOR VALVE DFE100/6 12VDC		-
10.1	A430809	1	SOLENOID 12VDC		-
11	64041	2	BASIC FITTING F40XS10-3/8 /8		-
12	64042	4	BASIC FITTING F40XS12-3/8 /8		-
13	64134	2	ELBOW FITTING 90 DEGR. C6XS12		-
14	65276	1	ROCKER SWITCH, REAR AUXILIARY HYDRAULICS		-
15	A49452	1	WIRE HARNESS, REAR AUX. HYDRAULICS		-
16	71681	2	WASHER M6 DIN 440		-
17	72318	2	HEXAGONAL NUT M 6 DIN 985 NYLOC		-
18	74768	2	WASHER CONICAL M6		-
19	74861	2	CROSS-SLOT COUNTRS. HEAD SCREW M6*80		-
20	74438	8	HEXAGONAL HEAD SCREW M6*40 DIN 912		-

15.6.2023

# A424303 ANTI SLIP VALVE OPTIDRIVE 500 / 600



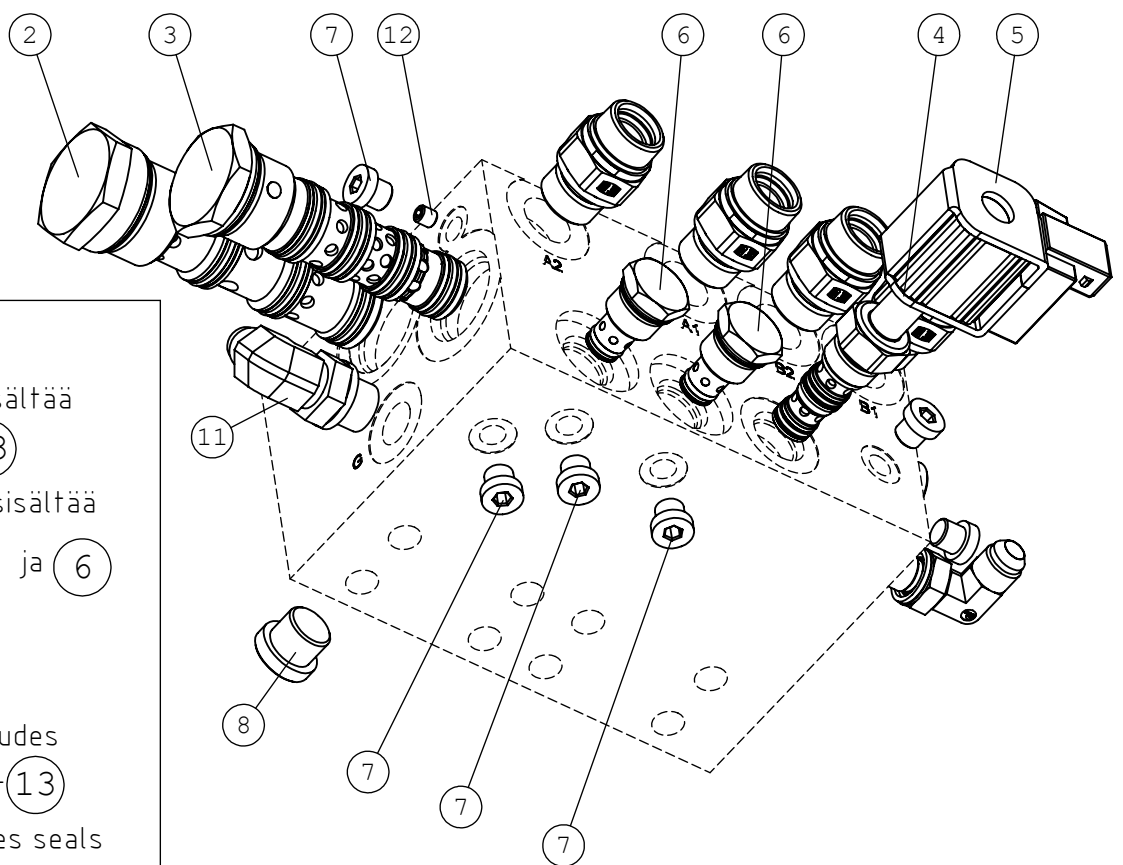
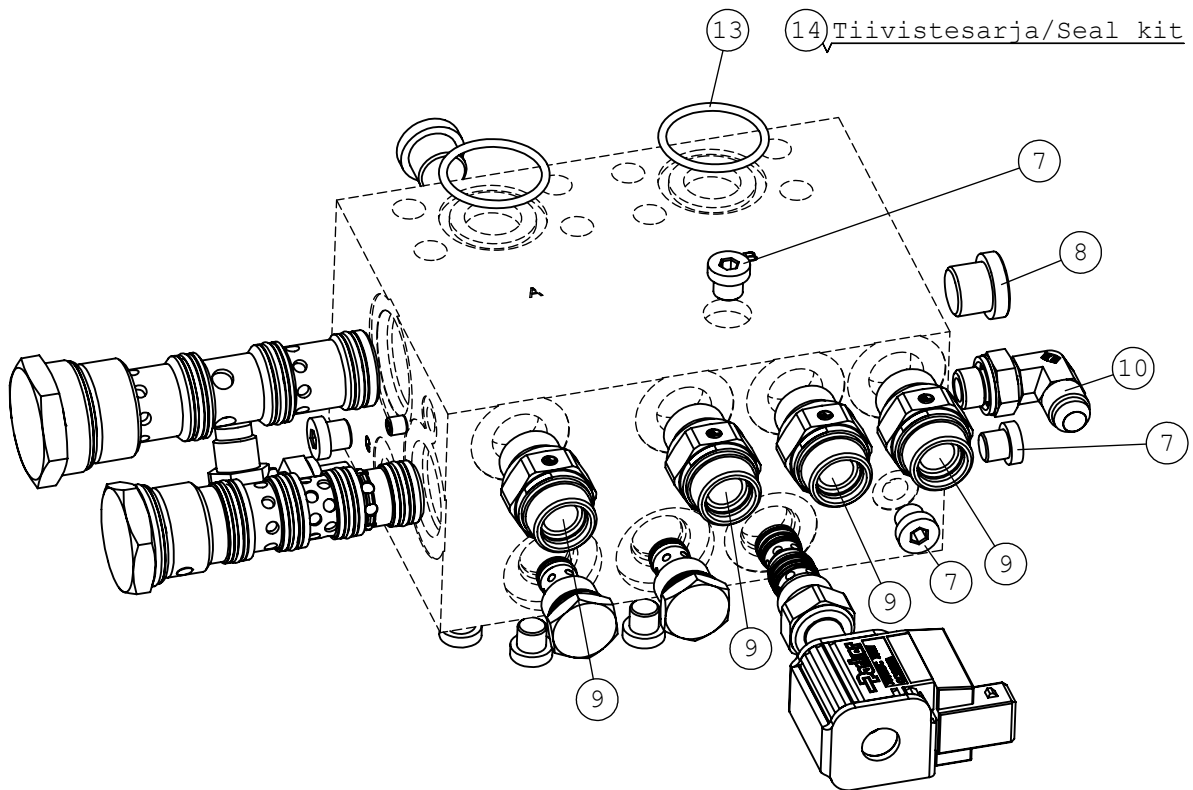
15.6.2023

**A424303 ANTI SLIP VALVE OPTIDRIVE 500 / 600**

REF	PART NO	QTY	DESCRIPTION	NOTES	PAGE
1	A421617	1	HYDRAULIC MANIFOLD, ANTI SLIP VALVE		124
2	75141	8	HEXAGONAL HEAD SCREW M10*110 DIN912 12.9		-
3	A434424	8	SAFETY WASHER M10 3/8"		-
4	A410094	1	HYDR. HOSE L=350		-
5	A429297	1	HYDR. HOSE L=250		-
6	64078	1	L-FITTING BODY R6XS10		-
7	64041	1	BASIC FITTING F40XS10-3/8 /8		-
8	A423466	1	JOYSTICK 8 FUNCTION WITH ANTI SLIP		-

15.6.2023

# A421617 HYDRAULIC MANIFOLD, ANTI SLIP VALVE



**HUOM!**  
 Nimike A421617 sisältää  
 osat (2) - (13)  
 Tiivistesarja (14) sisältää  
 osien (2), (3), (4) ja (6)  
 tiivisteet

**NOTE!**  
 Item A421617 includes  
 components (2) - (13)  
 Seal kit (14) includes seals  
 for components (2), (3), (4)  
 and (6)

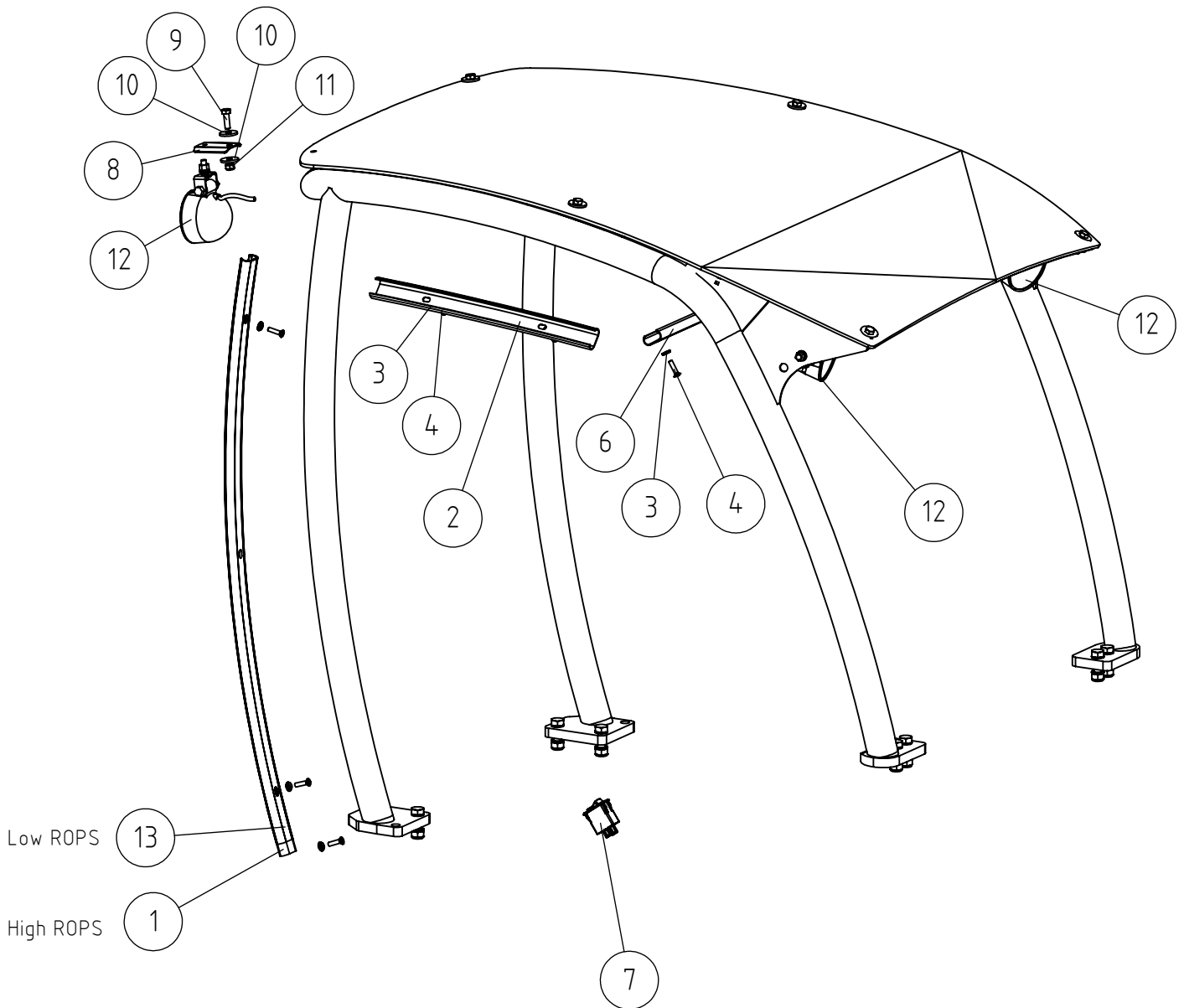
15.6.2023

**A421617 HYDRAULIC MANIFOLD, ANTI SLIP VALVE**

REF	PART NO	QTY	DESCRIPTION	NOTES	PAGE
1	A421617	1	HYDRAULIC MANIFOLD, ANTI SLIP VALVE		124
2	A428742	1	FLOW DIVIDER VALVE CARTRIDGE 420BAR		-
3	A428740	1	DIVERTER VALVE CARTRIDGE 420BAR		-
4	A428584	1	VALVE CARTRIDGE SPOOL VALVE 3/2		-
5	66452	1	SOLENOID 12VDC/19W		-
6	A428743	2	CHECK VALVE CARTRIDGE 420BAR		-
7	64407	7	HEXAGONAL PLUG R 1/8" WITH PACKING		-
8	74411	2	HEXAGONAL PLUG HF 3/8" HTUNG		-
9	66347	4	BASIC FITTING EO-3 R1/2" - EO3 F24 /2		-
10	64087	1	ELBOW FITTING 90 DEGR. /4#		-
11	64044	1	ELBOW FITTING 90° C40XS10-3/8 /8		-
12	A428739	1	FLOW RESTRICTOR M6/0,7MM		-
13	75113	2	O-RING NBR F 31,42*2,62 90SH		-
14	A428795	1	SEAL KIT HYDRAULIC MANIFOLD A421617		-

15.6.2023

# A33916 WORK LIGHT KIT, 3 LED LIGHTS 700 LUMEN



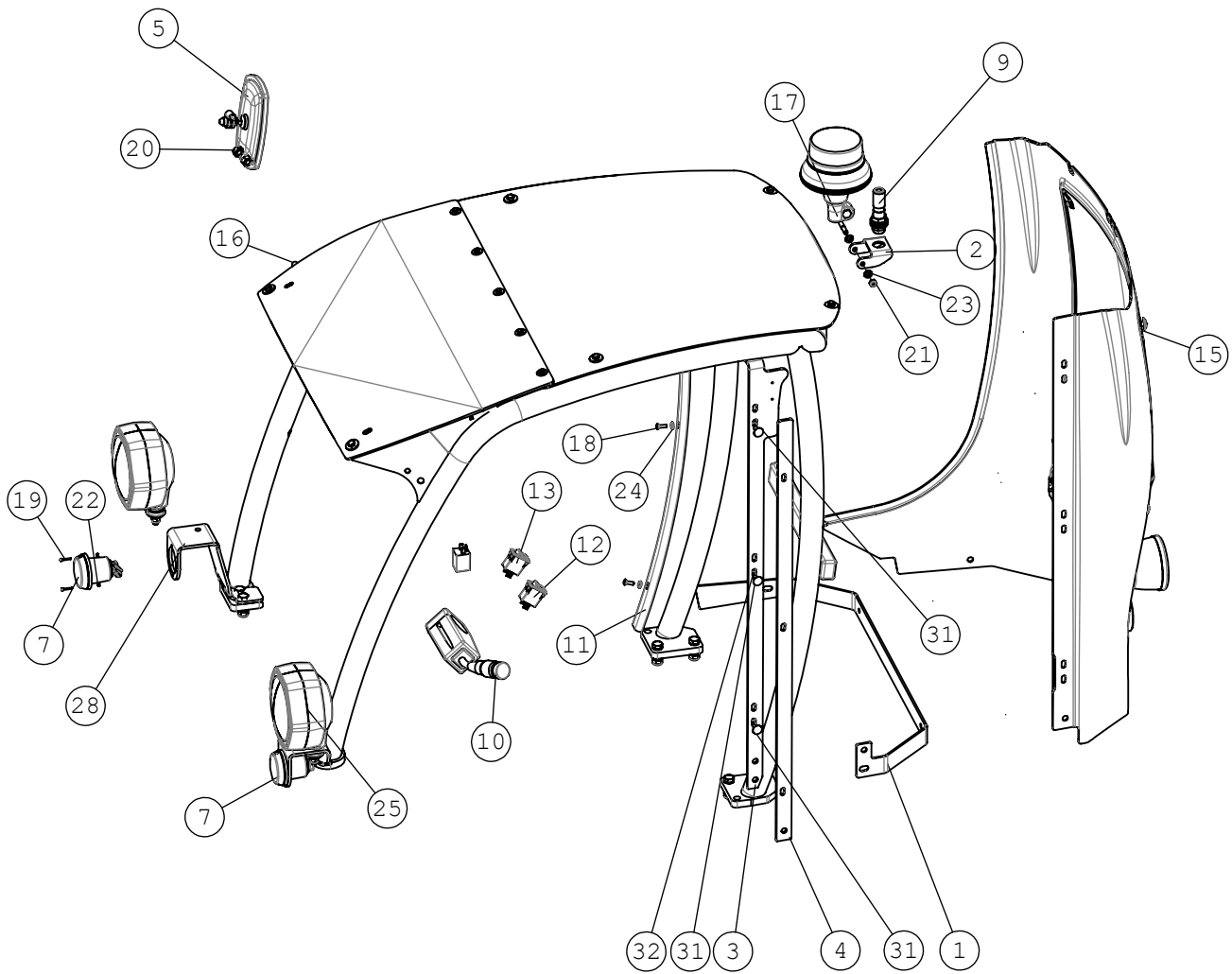
15.6.2023

**A33916 WORK LIGHT KIT, 3 LED LIGHTS 700 LUMEN**

REF	PART NO	QTY	DESCRIPTION	NOTES	PAGE
1	A49080	1	COVER STRIP, SIDE		-
2	A49079	1	COVER STRIP, MIDDLE		-
3	74768	8	WASHER CONICAL M6		-
4	A426199	8	CROSS-SLOT COUNTRS. HEAD SCREW M6*25		-
5	A33337	1	WIRE HARNESS, WORK LIGHT		-
6	A49077	1	COVER STRIP, UPPER		-
7	65066	1	SWITCH, WORK LIGHT		-
8	A410086	1	BRACKET, WORK LIGHT		-
9	72132	1	HEXAGONAL SCREW M 8*25 DIN 933 ZN		-
10	71685	2	WASHER M8 R9 DIN 440 ZN		-
11	72320	1	HEXAGONAL NUT M8 NYLOC DIN 985		-
12*	66068	3	WORK LIGHT LED 700 LUMEN 12V/12W COBO	700 lumen	-
12**	A419163	3	WORK LIGHT LED 2500 LUMEN WITH CONNECTOR	2500 lumen	-
13	A450714	1	COVER STRIP SIDE SHORT		-

15.6.2023

# A33912 ROAD TRAFFIC KIT 500/600 SERIES ROPS





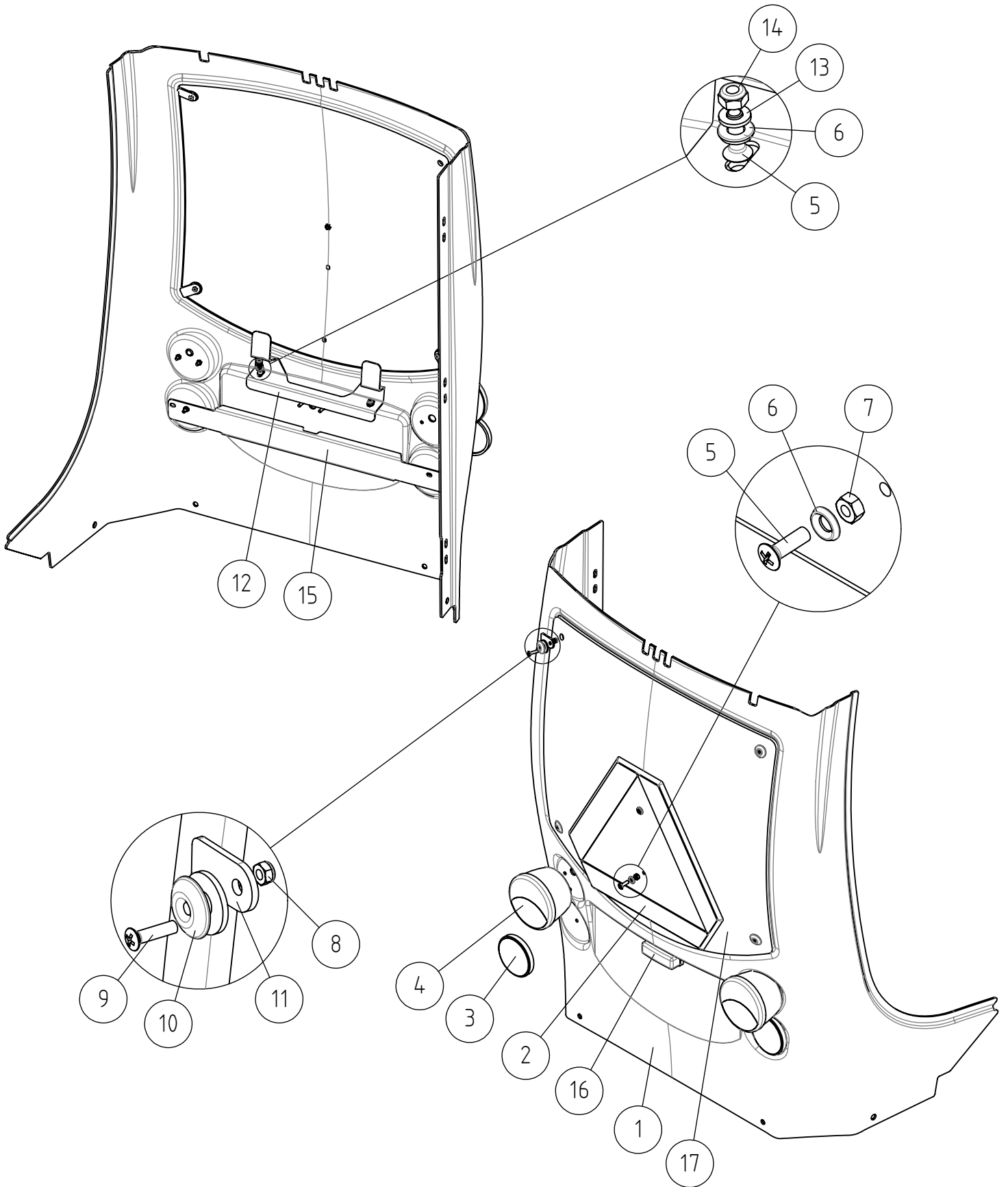
15.6.2023

**A33912 ROAD TRAFFIC KIT 500/600 SERIES ROPS**

REF	PART NO	QTY	DESCRIPTION	NOTES	PAGE
1	A49356	1	MOUNTING BRACKET, LOWER		-
2	A49059	1	BRACKET, BEACON		-
3	A49354	1	FRAME, INNER		-
4	A49353	1	FRAME, OUTER		-
5	64389	1	SIDE MIRROR CONVEX GLASS 185*135 MM		-
6	64401	2	HALOGEN BULB 12342 H4 12V/60/55W		-
7	64849	2	BLINKER		-
8	A21221	1	WIRE HARNESS, ROAD TRAFFIC LIGHT KIT		-
9	65058	1	BRACKET (PIN), BEACON		-
10	64851	1	LIGHTS/BLINKERS LEVER SWITCH		-
11	A49080	1	COVER STRIP, SIDE		-
12	65065	1	SWITCH, BEACON		-
13	65064	1	SWITCH, WARNING BLINKER		-
14	65036	1	INDICATOR RELAY 12V 170W WEH-53 201 101		-
15	A412565	1	REAR WALL FOR ROAD TRAFFIC LIGHTS		130
16	A411594	1	ARM, SIDE MIRROR		-
17	72143	1	HEX. SCREW M8*80 DIN 931		-
18	74767	3	RAISED COUNTERSUNK HEAD SCREW M6*20		-
19	74778	4	PAN HEAD SCREW M3*20		-
20	72323	2	HEXAGONAL NUT M12 DIN 934		-
21	72320	1	HEXAGONAL NUT M8 NYLOC DIN 985		-
22	74535	4	HEXAGONAL NUT M3		-
23	73122	2	WASHER M8 A8,4 DIN 125 ZN		-
24	74768	3	WASHER CONICAL M6		-
25	A433943	2	HEADLIGHT/POSITION LIGHT HEXAGONAL 12V		-
26	A435335	1	BEACON, WITH LED LIGHT 11W		-
27	A439030	1	MOUNTING BRACKET LEFT HEADLIGHT		-
28	A439031	1	MOUNTING BRACKET RIGHT HEADLIGHT		-
29	A435070	1	SLOW MOVING VEHICLE TRIANGLE 430X45X30		-
30	A49119	1	ROPS FRAME WITH FOPS CANOPY, 600/700 SER		132
31	74836	3	CARRIAGE BOLT M8*20		-
32	74782	3	HEXAGONAL NUT M8 WITH FLANGE		-

15.6.2023

# A412565 REAR WALL FOR ROAD TRAFFIC LIGHTS



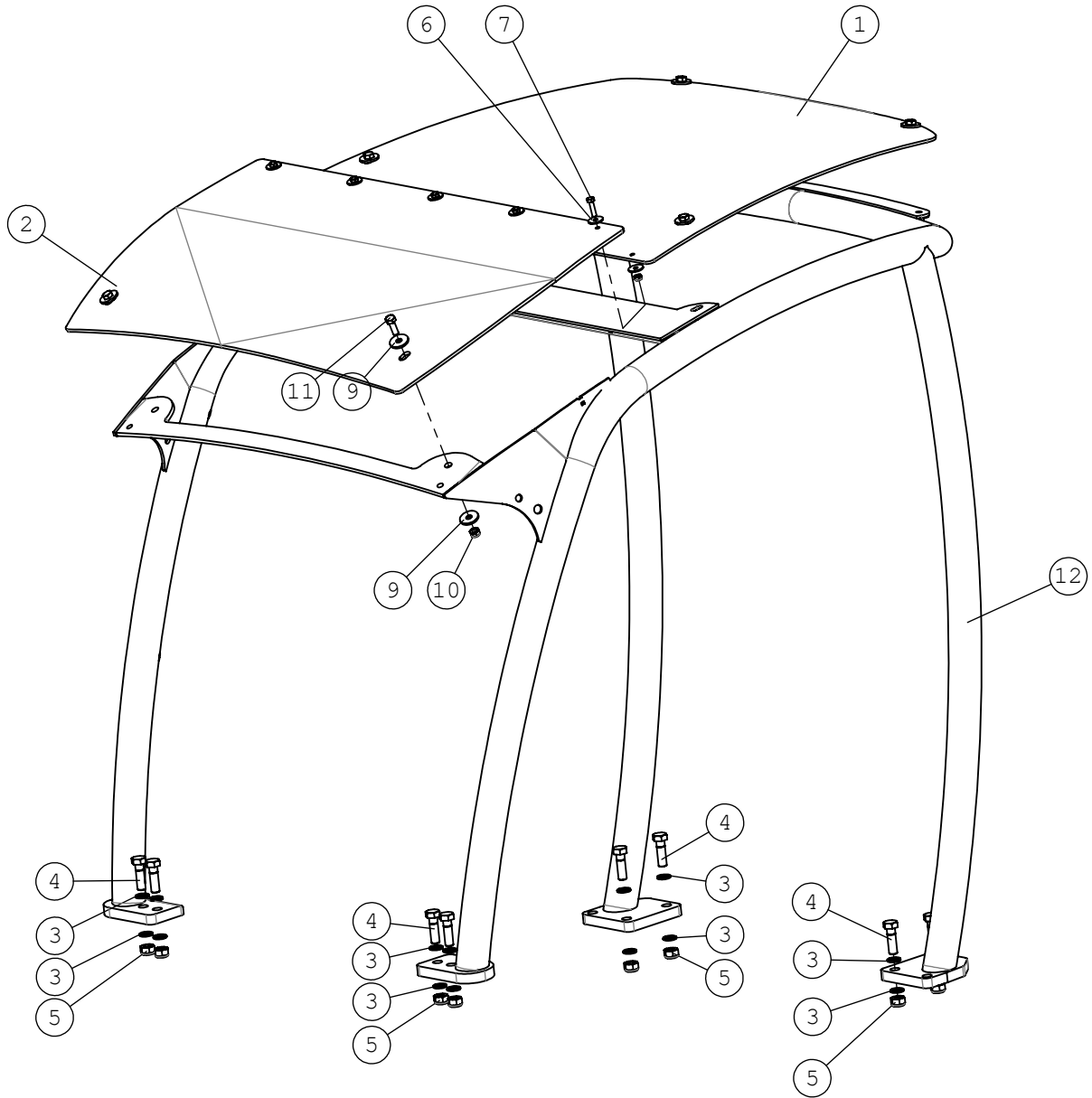
15.6.2023

**A412565 REAR WALL FOR ROAD TRAFFIC LIGHTS**

REF	PART NO	QTY	DESCRIPTION	NOTES	PAGE
1	A412564	1	COVER PANEL REAR WITHOUT WINDOW		-
2	64733	1	SIGN, SLOW MOVING VEHICLE, RED		-
3	65057	2	REFLECTOR, RED		-
4	65263	2	REAR LIGHT / BLINKER		-
5	74767	4	RAISED COUNTERSUNK HEAD SCREW M6*20		-
6	74768	4	WASHER CONICAL M6		-
7	72317	2	HEXAGONAL NUT M6 DIN 934		-
8	72315	4	NUT M5 NYLOC DIN 985		-
9	74787	4	CROSS HEAD SCREW M5*20		-
10	74788	4	FASTENER, WINDOW, F25/F5-13		-
11	A410059	4	HOLDER		-
12	A412146	1	BRACKET, WARNING TRIANGLE		-
13	71680	2	WASHER M6 DIN 125		-
14	72318	2	HEXAGONAL NUT M 6 DIN 985 NYLOC		-
15	A412143	1	CABLE STRIP		-
16	A411791	1	LIGHT, LICENCE PLATE		-
17	A413489	1	REAR WINDOW		-

15.6.2023

# A49119 ROPS FRAME WITH FOPS CANOPY, 600/700 SER



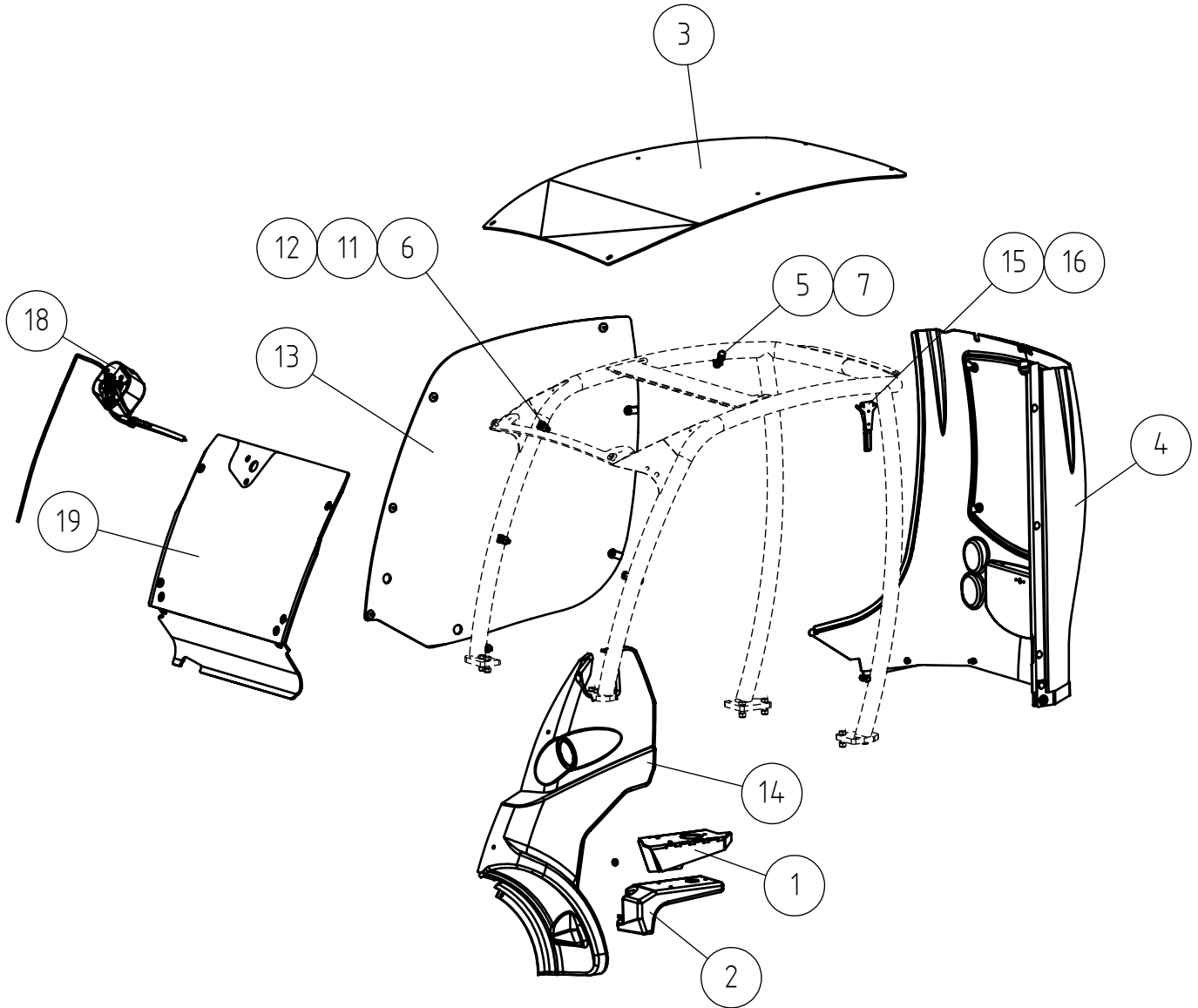
15.6.2023

**A49119 ROPS FRAME WITH FOPS CANOPY, 600/700 SER**

REF	PART NO	QTY	DESCRIPTION	NOTES	PAGE
1	A48905	1	FOPS CANOPY PLATE 500/600/700		-
2	A48909	1	CANOPY, SHORT, POLYCARBONATE (WITH FOPS)		-
3	74532	16	WASHER NORDLOCK NL12		-
4	73322	8	HEXAGONAL SCREW M12*40 DIN 931		-
5	72324	8	HEXAGONAL NUT M 12 NYLOC DIN 985		-
6	71681	10	WASHER M6 DIN 440		-
7	72119	5	HEXAGONAL SCREW M6*25 DIN 933 ZN		-
8	72318	5	HEXAGONAL NUT M 6 DIN 985 NYLOC		-
9	71685	12	WASHER M8 R9 DIN 440 ZN		-
10	72320	6	HEXAGONAL NUT M8 NYLOC DIN 985		-
11	72132	6	HEXAGONAL SCREW M 8*25 DIN 933 ZN		-
12	A33920	1	ROPS FRAME 1090 MM 600/700 SERIES		-

15.6.2023

# A443905 CAB L, 500-700 SERIES



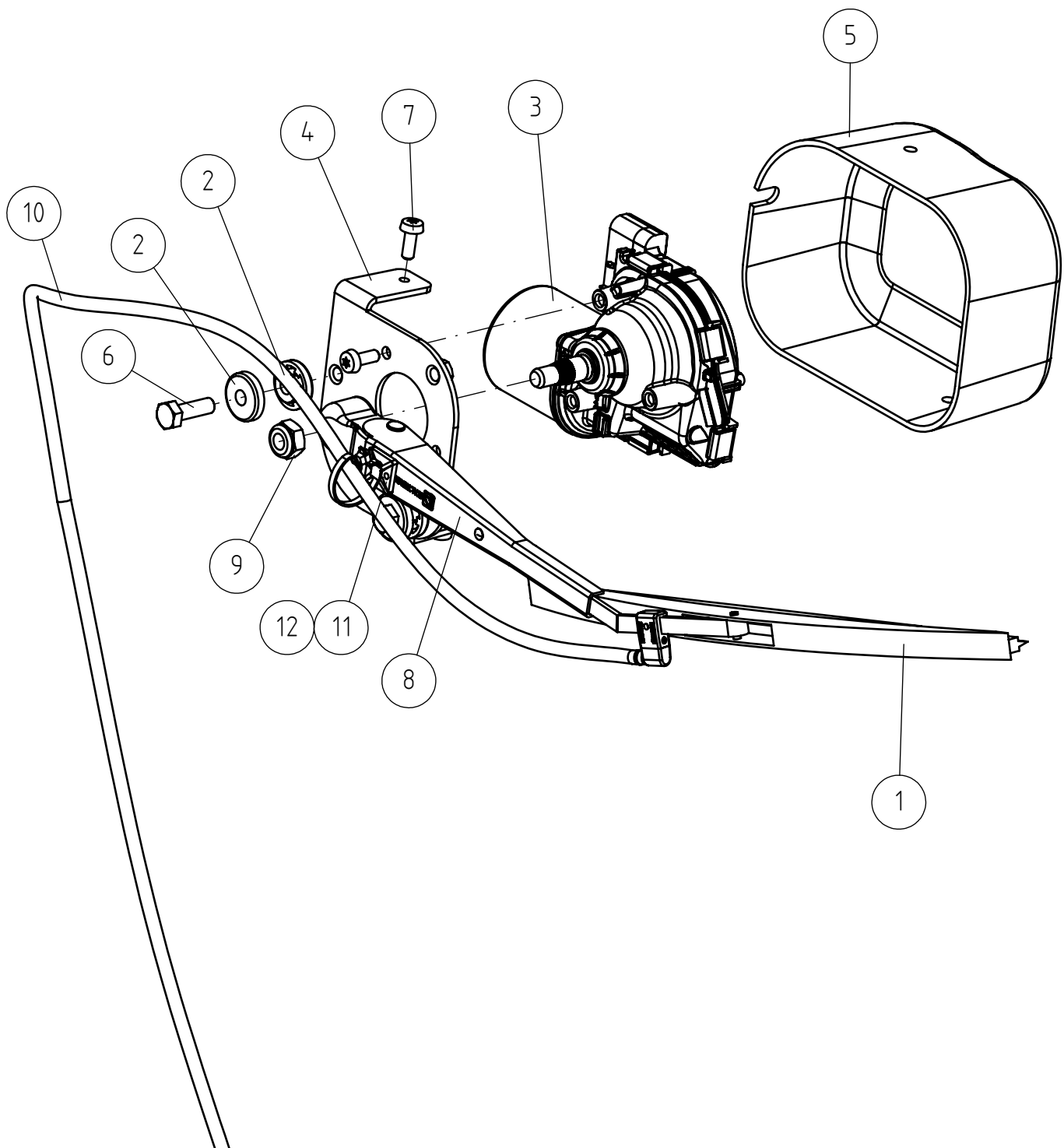
15.6.2023

**A443905 CAB L, 500-700 SERIES**

REF	PART NO	QTY	DESCRIPTION	NOTES	PAGE
1	A415799	1	STEP, CAB L, 500-700 SERIES		-
2	A33448	1	WINDSCREEN WASHER		-
3	A410091	1	CANOPY, POLYCARBONATE		-
4	A49446	1	REAR WALL WITH WINDOW 500/600/700/R/E		-
5	A49699	4	MOUNTING BRACKET ONE SIDED		-
6	A49698	2	MOUNTING BRACKET TWO SIDED		-
7	75172	4	SPEED NUT M5 FOR 0.5-4.0 MM PLATE		-
8	72320	1	HEXAGONAL NUT M8 NYLOC DIN 985		-
9	72133	1	HEXAGONAL SCREW M8*30 DIN 933		-
10	73122	2	WASHER M8 A8,4 DIN 125 ZN		-
11	73766	6	HEXAGONAL HEAD SCREW M6*16 DIN 912 2 8.8		-
12	71680	6	WASHER M6 DIN 125		-
13	A49451	1	WINDOW, RIGHT, COMPLETE, CAB L 500-700		-
14	A416315	1	COVER PLATE, FRONT LEFT, L CAB		-
15	64986	1	EMERGENCY HAMMER HAPPICH RED		-
16	A432729	1	BRACKET, EMERGENCY HAMMER 64986		-
17	A411021	1	DECAL "EMERGENCY EXIT"		-
18	A443979	1	WINDSCREEN WIPER ASSEMBLY CAB L 523-760I		136
19	A443961	1	WINDSCREEN ASSEMBLY CAB L 500/600/700/E		-
20	A441037	1	WIRE HARNESS CAB L AVANT 700-800		-

15.6.2023

# A443979 WINDSCREEN WIPER ASSEMBLY CAB L 523-760I





15.6.2023

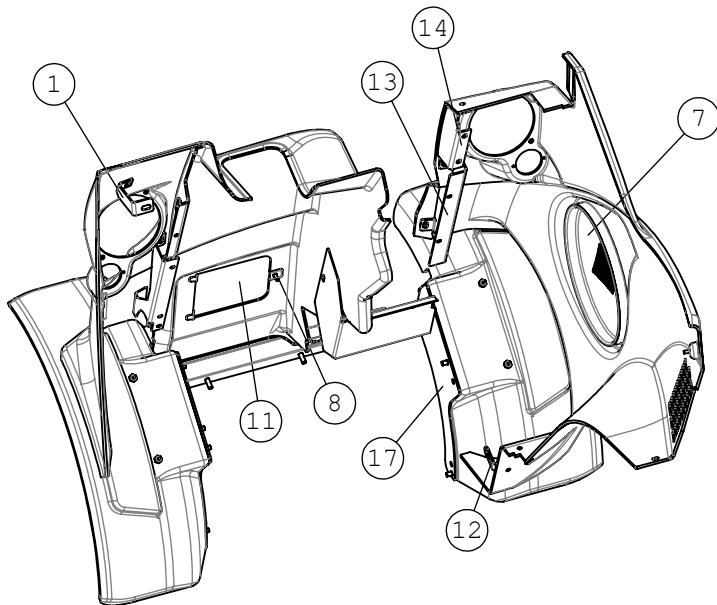
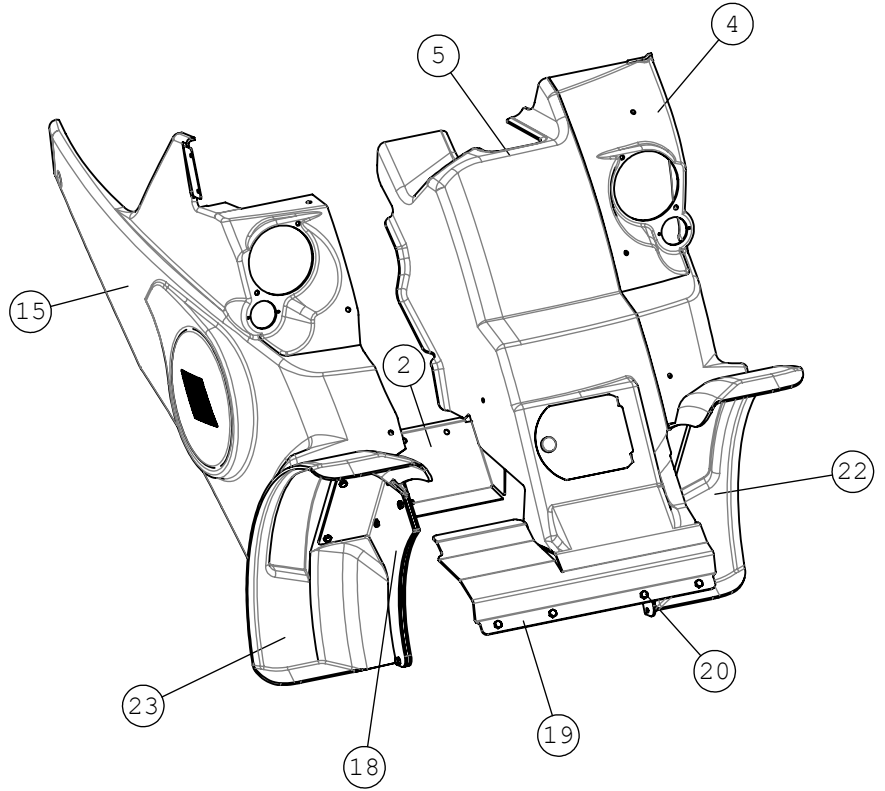
**A443979 WINDSCREEN WIPER ASSEMBLY CAB L 523-760I**

REF	PART NO	QTY	DESCRIPTION	NOTES	PAGE
1	A440135	1	WIPER BLADE L=400MM		-
2	A441784	4	BUSHING PLASTIC D16,9/D8 - L8,1		-
3	A446829	1	ELECTRIC MOTOR PROGRAMMED WINDSCREEN		-
4	A440457	1	BRACKET MOTOR WINDSCREEN WIPER		-
5	A440716	1	COVER MOTOR WINDSCREEN WIPER		-
6	A427795	2	HEXAGONAL SCREW M8*25 DIN 933 8.8		-
7	A437544	4	THREAD-FORMING SCREW BLACK M6*16 DIN		-
8	A443799	1	ARM, WINDSCREEN WIPER M10 L=302 WITH		-
9	72322	1	HEXAGONAL NUT M 10 NYLOC DIN 985		-
10	A460684	1	HOSE WINDSCREEN WASHER CAB L		-
11	A455710	1	SOCKET ADHESIVE 19X19 CABLE TIE		-
12	A431459	1	CABLE TIE 3,6*281 BLACK		-

15.6.2023

LX/DLX, ABS

# A35608 COVER PLATES, KIT, 500 SERIES



15.6.2023

LX/DLX, ABS

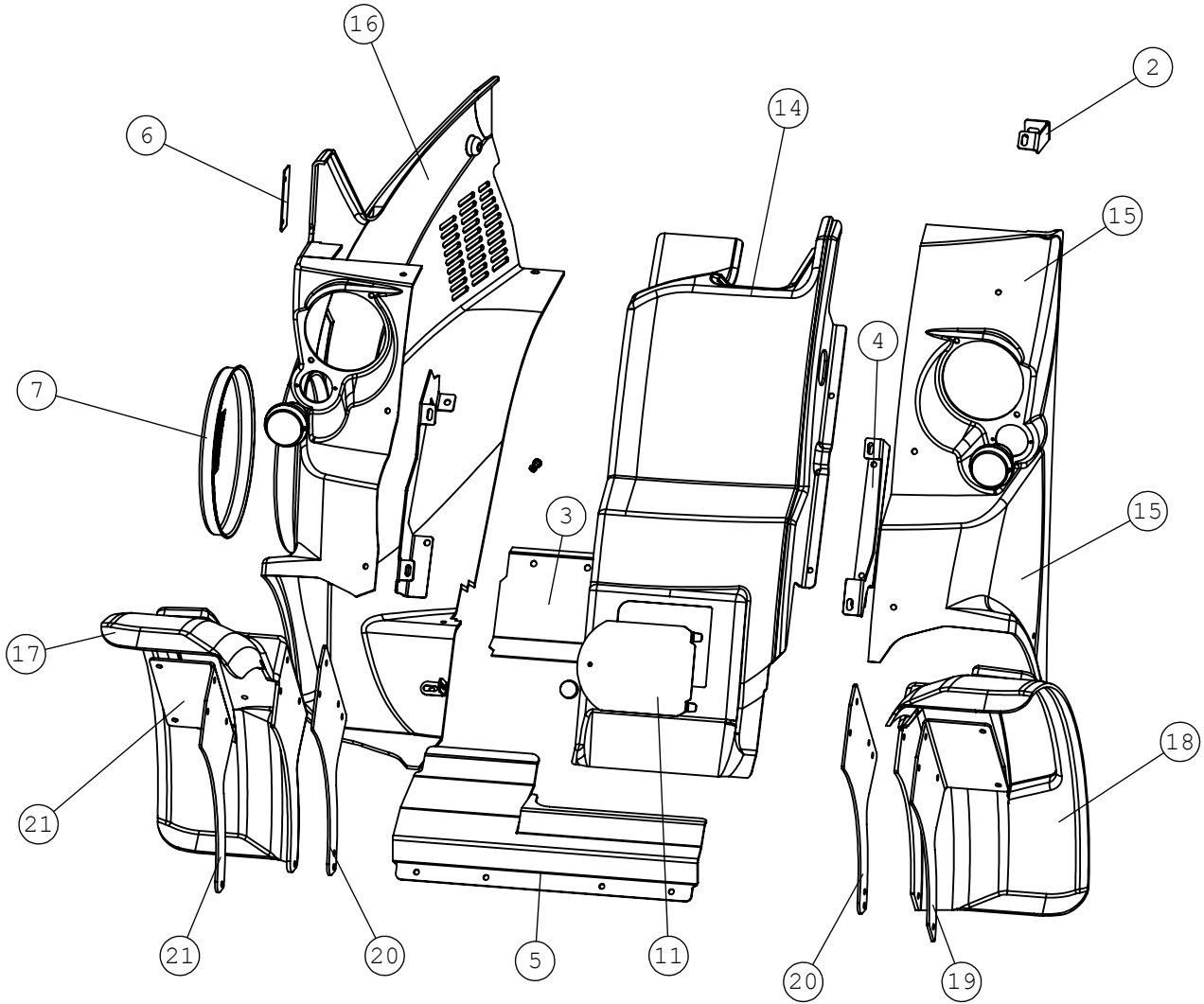
**A35608 COVER PLATES, KIT, 500 SERIES**

REF	PART NO	QTY	DESCRIPTION	NOTES	PAGE
1	A412713	1	BRACKET		-
2	A47656	1	COVER		-
3	A412755	1	BRACKET, LEFT		-
4	A412775	1	COVER PLATE, LEFT SIDE		-
5	A412817	1	COVER PLATE, CENTER		-
6	A412735	1	PLATE		-
7	A412791	1	NET		-
8	64941	1	FINGER SCREW M6*20 R3015RM620S		-
9	74767	1	RAISED COUNTERSUNK HEAD SCREW M6*20		-
10	74768	1	WASHER CONICAL M6		-
11	A48000	1	LID		-
12	A47756	1	ANGLE BRACKET 90°		-
13	A414798	1	BRACKET, COVER PLATE		-
14	A414801	1	EDGE PLATE		-
15	A414361	1	COVER PLATE, RIGHT SIDE FRONT , 500-700		-
16	A414900	1	BRACKET LEFT, MUDGUARD		-
17	A414901	2	BRACKET, COVER PLATE		-
18	A414905	1	BRACKET RIGHT, MUDGUARD		-
19	A435254	1	COVER DRIVE MOTORS FRONT		-
20	72132	17	HEXAGONAL SCREW M 8*25 DIN 933 ZN		-
21	72320	4	HEXAGONAL NUT M8 NYLOC DIN 985		-
22	A415377	1	MUDGUARD, FRONT LEFT		-
23	A415378	1	MUDGUARD, FRONT RIGHT		-

15.6.2023

LX/DLX, PC/HD, optional extra

# A35665 COVER PLATES HD CAB DLX FRONT 500 SERIES



15.6.2023

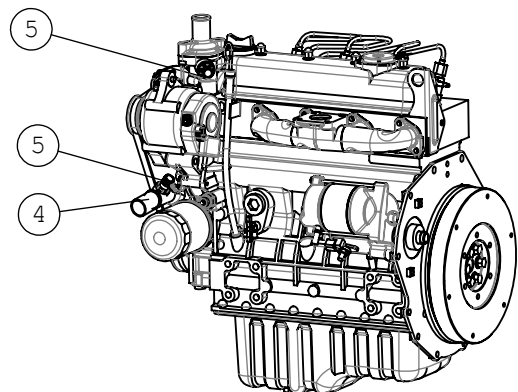
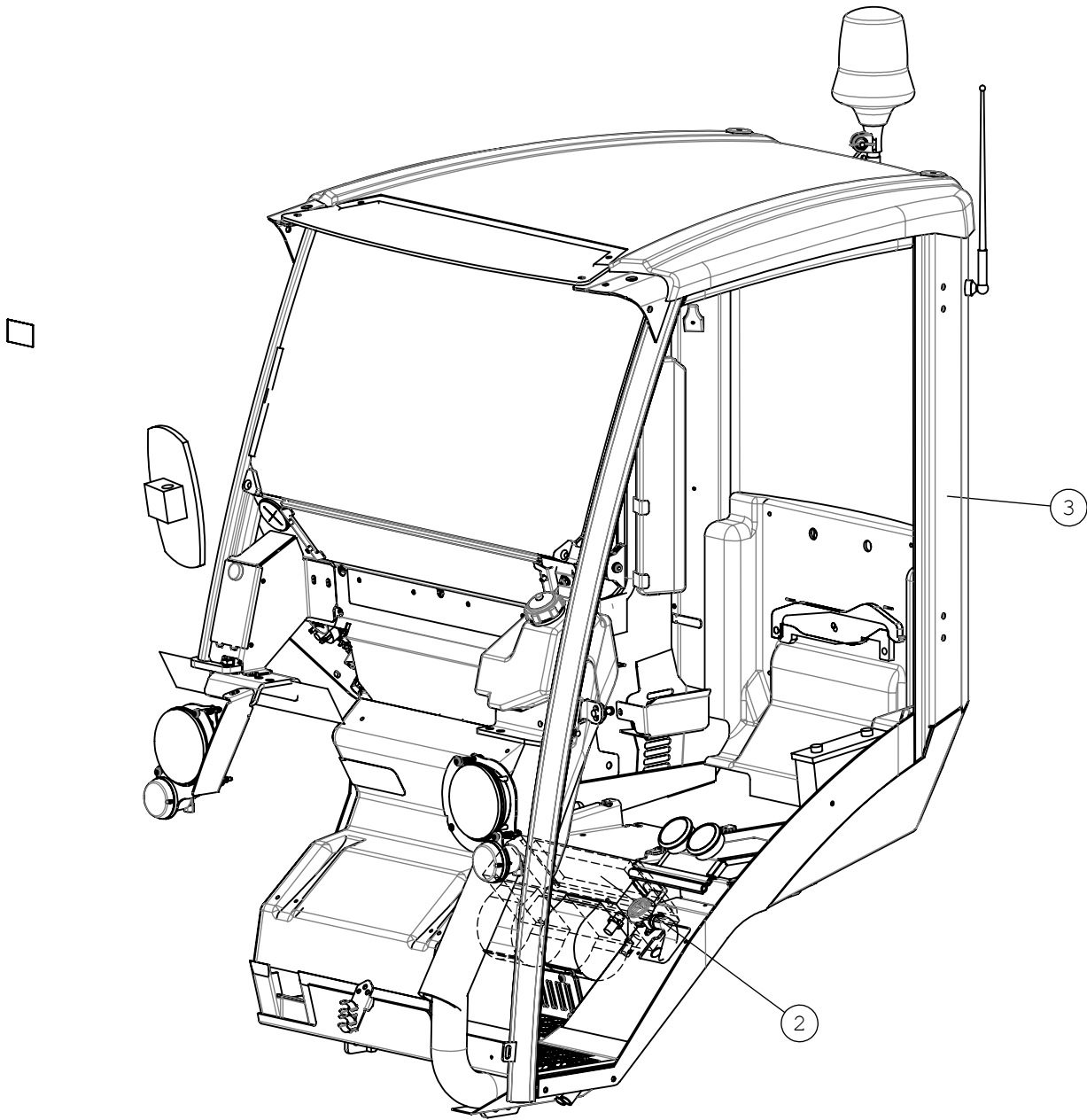
LX/DLX, PC/HD, optional extra

**A35665 COVER PLATES HD CAB DLX FRONT 500 SERIES**

REF	PART NO	QTY	DESCRIPTION	NOTES	PAGE
1	A412675	1	BRACKET, COVER PLATE		-
2	A412713	1	BRACKET		-
3	A47656	1	COVER		-
4	A412755	1	BRACKET, LEFT		-
5	A435254	1	COVER DRIVE MOTORS FRONT		-
6	A412735	1	PLATE		-
7	A412791	1	NET		-
8	64941	1	FINGER SCREW M6*20 R3015RM620S		-
9	74767	1	RAISED COUNTERSUNK HEAD SCREW M6*20		-
10	74768	1	WASHER CONICAL M6		-
11	A48000	1	LID		-
12	A47756	1	ANGLE BRACKET 90°		-
13	64849	2	BLINKER		-
14	A415532	1	COVER PLATE HD POLYCARB FRONT CENTER		-
15	A415520	1	COVER PLATE, HD, FRONT LEFT, CAB LX/DLX		-
16	A415529	1	COVER PLATE, HD, FRONT RIGHT, CAB LX/DLX		-
17	A415378	1	MUDGUARD, FRONT RIGHT		-
18	A415377	1	MUDGUARD, FRONT LEFT		-
19	A414900	1	BRACKET LEFT, MUDGUARD		-
20	A414901	2	BRACKET, COVER PLATE		-
21	A414905	1	BRACKET RIGHT, MUDGUARD		-

15.6.2023

# A21590 CAB DLX 500/600 SERIES



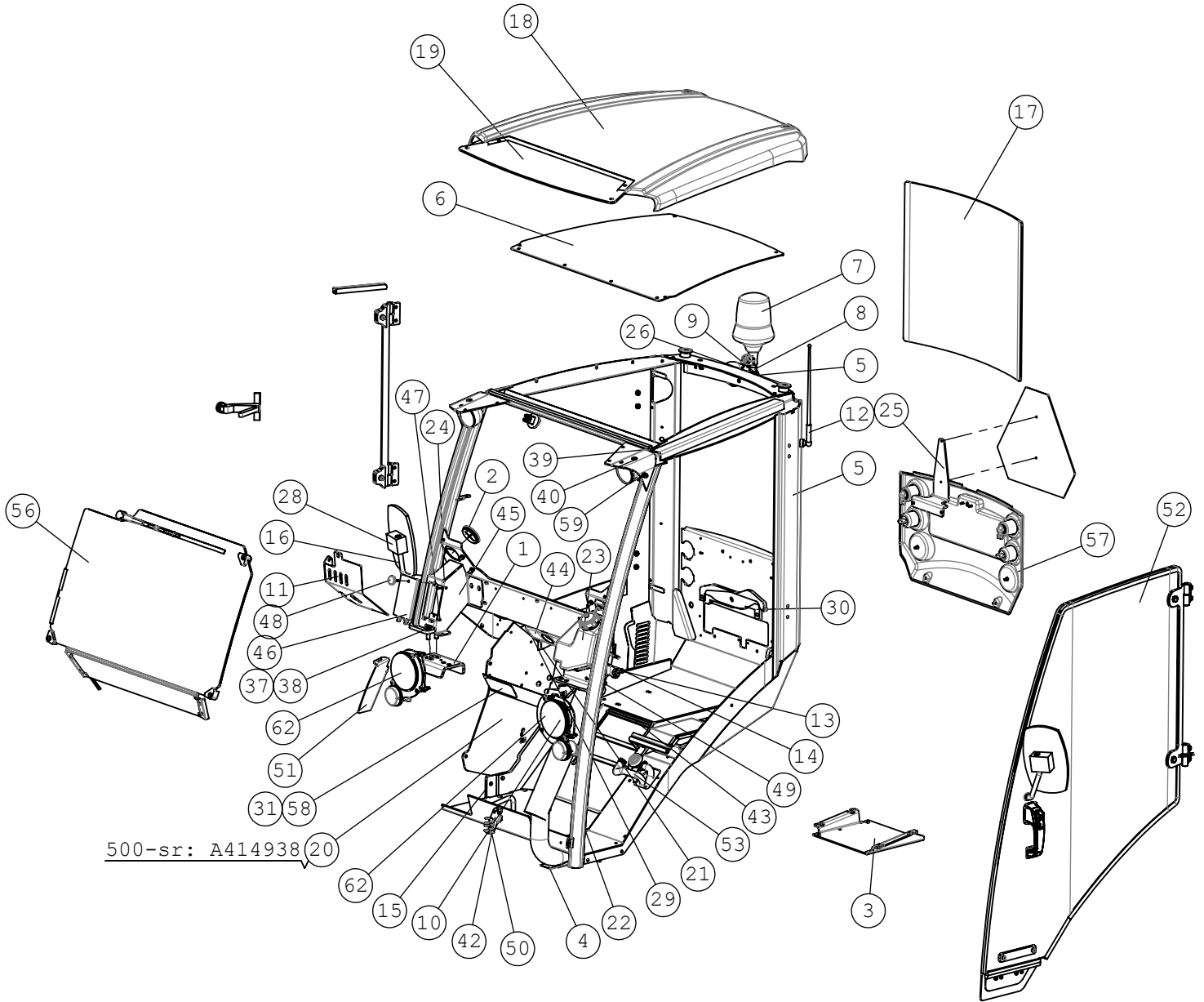
15.6.2023

**A21590 CAB DLX 500/600 SERIES**

REF	PART NO	QTY	DESCRIPTION	NOTES	PAGE
1	A34854	1	WIRE HARNESS, HEATER, CAB		-
2	65578	1	HEATER KALORI		-
3	A21708	1	CAB DLX, ASSEMBLY		144
4	A47996	1	TUBE, HEATER		-
5	64967	2	HOSE BARB R3/8"UK - 16MM L=44		-
6	A49768	1	WATER PIPE, LOWER		-

15.6.2023

# A21708 CAB DLX, ASSEMBLY





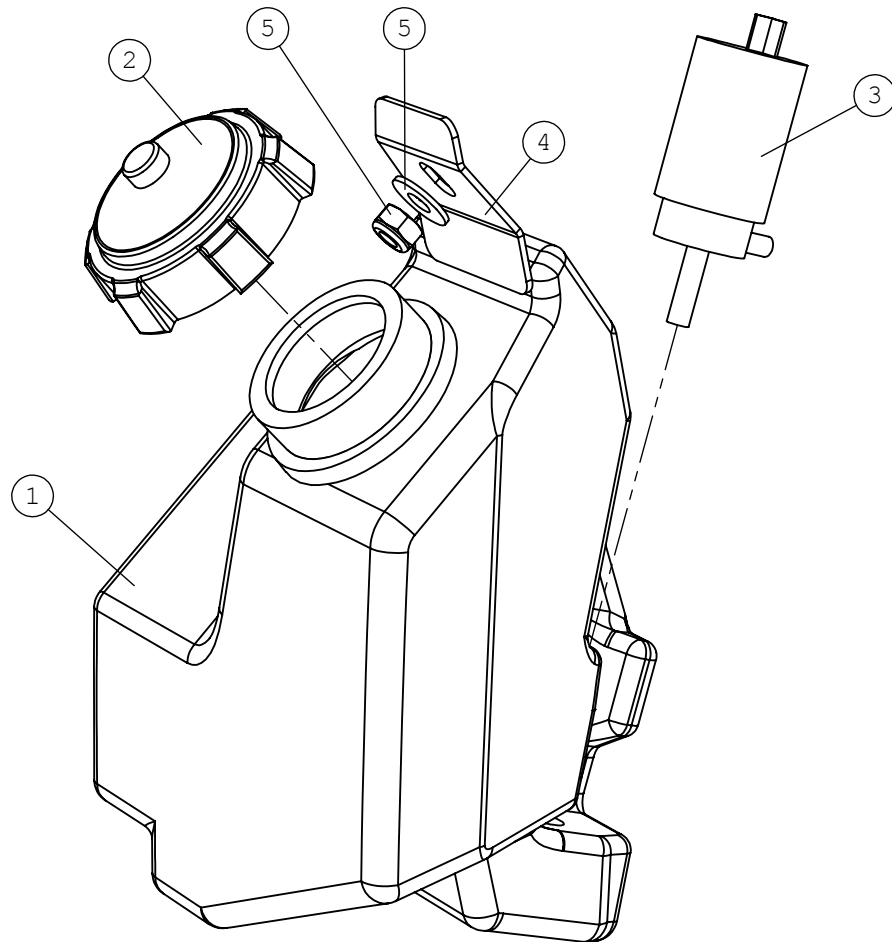
15.6.2023

**A21708 CAB DLX, ASSEMBLY**

REF	PART NO	QTY	DESCRIPTION	NOTES	PAGE
1	A411645	1	BRACKET		-
2	A410681	1	GROMMET		-
3	A411777	1	SEAT BASE		-
4	A411862	1	COVER PLATE		-
5	A21419	1	FRAME, CAB		-
6	A411946	1	FOPS ROOF		-
7	64978	1	BEACON 12VDC		-
8	65058	1	BRACKET (PIN), BEACON		-
9	A412068	1	BRACKET, BEACON, CAB DLX		-
10	A412076	1	PARTITION WALL		-
11	A412247	1	COVER PLATE		-
12	64997	1	AERIAL HIRSCHMANN L=350		-
13	64979	1	PIN, DOOR LOCK		-
14	64980	1	GUIDE PLATE, LOCK		-
15	A412322	1	PLATE		-
16	A412400	1	ARM, RIGHT, SIDE MIRROR		-
17	A411848	1	WINDOW, REAR, CAB DLX		-
18	A412312	1	COVER PLATE, ROOF, CAB DLX		-
19	A411933	1	VISOR, CAB DLX		-
20	A412181	1	SIDE PLATE, CAB LX/DLX		-
21	A412471	1	COVER PLATE, CONTROL LEVERS, CAB DLX		-
22	A412482	1	FLOOR PLATE, CAB DLX		-
23	A412488	1	TANK, COMPLETE, WINDSCREEN WASHER		146
24	72324	2	HEXAGONAL NUT M 12 NYLOC DIN 985		-
25	A412928	1	BRACKET, WARNING TRIANGLE		-
26	A412930	2	WASHER		-
27	A412500	1	DECAL, CONTROL LEVERS		-
28	64975	1	SIDE MIRROR CONVEX GLASS 260*166MM		-
29	A413249	1	LOCKING PLATE, CONTROL LEVER		-
30	A47248	1	FRAME LOCK		-
31	A413521	1	DECAL, FOOTWELL, CAB DLX		-
32	64188	3	FINGER SCREW R5026M8S		-
33	A47713	1	SERVICE SUPPORT, LIFT CYLINDER		-
34	72139	1	HEXAGONAL SCREW M 8*60 DIN 931		-
35	A413883	1	DECAL, WINDSCREEN WASHER TANK		-
36	A413760	1	DECAL FOPS/ROPS		-
37	74532	2	WASHER NORDLOCK NL12		-
38	73322	2	HEXAGONAL SCREW M12*40 DIN 931		-
39	A415498	1	WEATHER STRIP, ROOF, CAB LX/DLX		-
40	74525	1	WASHER M8 8,4*20*1,25 ZN		-
41	A21554	1	WIRE HARNESS, CAB DLX		-
42	A415022	1	BRACKET, SPRING, CAB		-
43	A415017	1	WEATHER STRIP, HEATER, CAB		-
44	65640	1	LIGHTS/WINDSCREEN WIPER LEVER SWITCH		-
45	A414827	1	BOX, FUSE BOX, CAB LX		-
46	A414830	1	LID, FUSE COMPARTMENT, CAB LX/DLX		-
47	A414828	1	MOUNTING PLATE, FUSE BOX, CAB LX		-
48	64941	1	FINGER SCREW M6*20 R3015RM620S		-
49	65665	1	DOOR SWITCH, CAB		-
50	74860	2	CLAMP F25-F27		-
51	A414801	1	EDGE PLATE		-
52	A35735	1	DOOR, COMPLETE, CAB LX A21517		148
53	A21706	1	HEATER UNIT, COMPLETE, CAB DLX		152
54	A21705	1	UPHOLSTERY, COMPLETE, CAB DLX		154
55	A415801	1	WINDOW COMPL. RIGHT SIDE, CAB LX A21517		-
56	A21707	1	WINDSCREEN ASSEMBLY, CAB DLX		158
57	A21709	1	REAR WALL, ASSEMBLY, CAB DLX		-
58	A415562	1	DECAL, EMPTY CAB DLX		-
59*	66068	3	WORK LIGHT LED 700 LUMEN 12V/12W COBO	700 lumen	-
59**	A419163	3	WORK LIGHT LED 2500 LUMEN WITH CONNECTOR	2500 lumen	-
60	A415030	1	WIRE HARNESS 2-SPEED/BRAKE/ANTISLIP CAB		-
61	64802	1	SEAT BELT 3-POINT		-
62	A421890	1	HEADLIGHTS, ROAD TRAFFIC KIT CAB DLX		160
63	A430876	1	DECAL KIT CAB LX/DLX		-

15.6.2023

# A412488 TANK, COMPLETE, WINDSCREEN WASHER

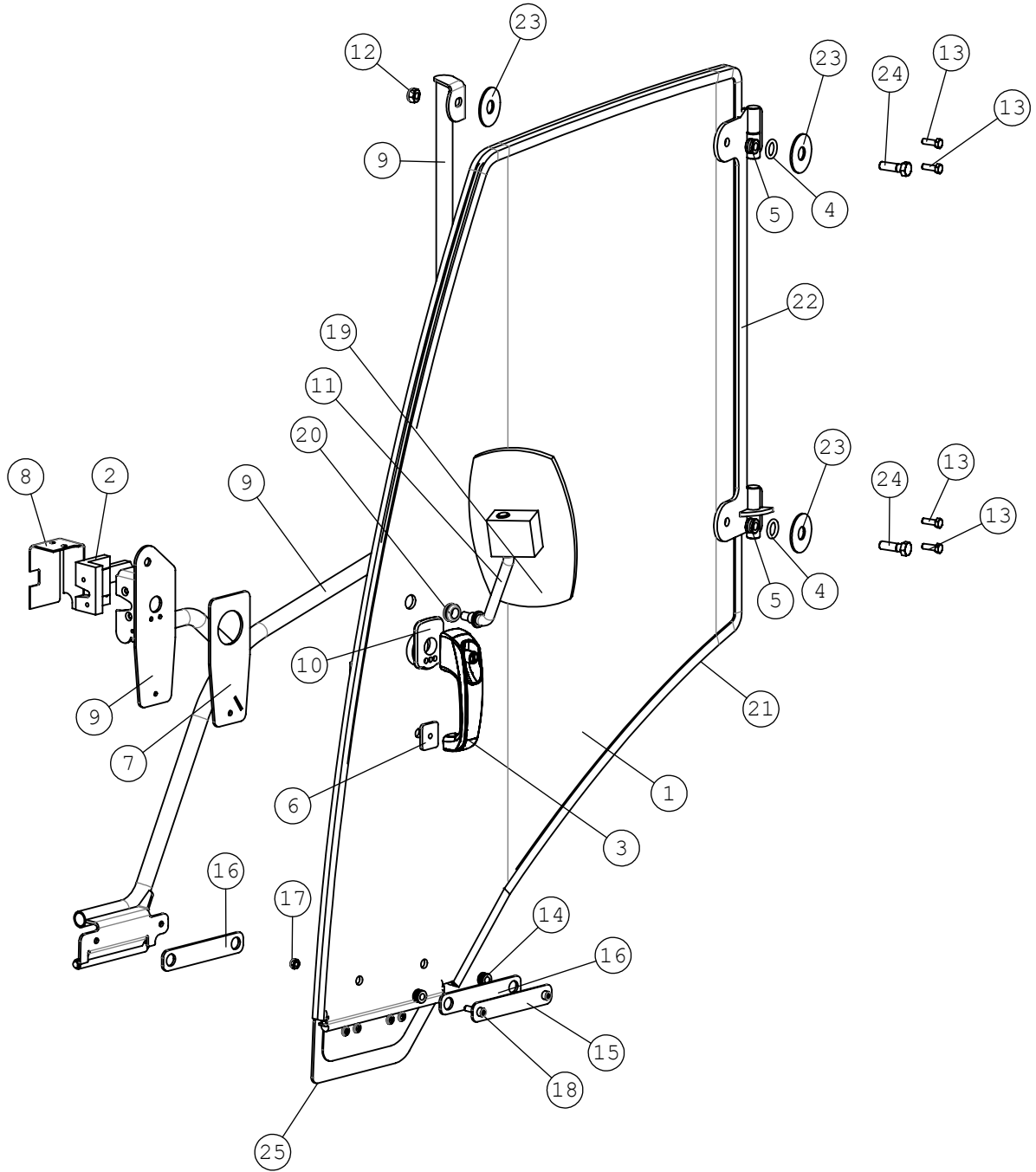


15.6.2023

**A412488 TANK, COMPLETE, WINDSCREEN WASHER**

REF	PART NO	QTY	DESCRIPTION	NOTES	PAGE
1	A411998	1	TANK, WINDSCREEN WASHER		-
2	64855	1	FUEL TANK CAP		-
3	65017	1	PUMP 12V, WINDSCREEN WASHER		-
4	A412153	1	BRACKET		-
5	72320	1	HEXAGONAL NUT M8 NYLOC DIN 985		-
6	74525	1	WASHER M8 8,4*20*1,25 ZN		-

# A35735 DOOR, COMPLETE, CAB LX A21517



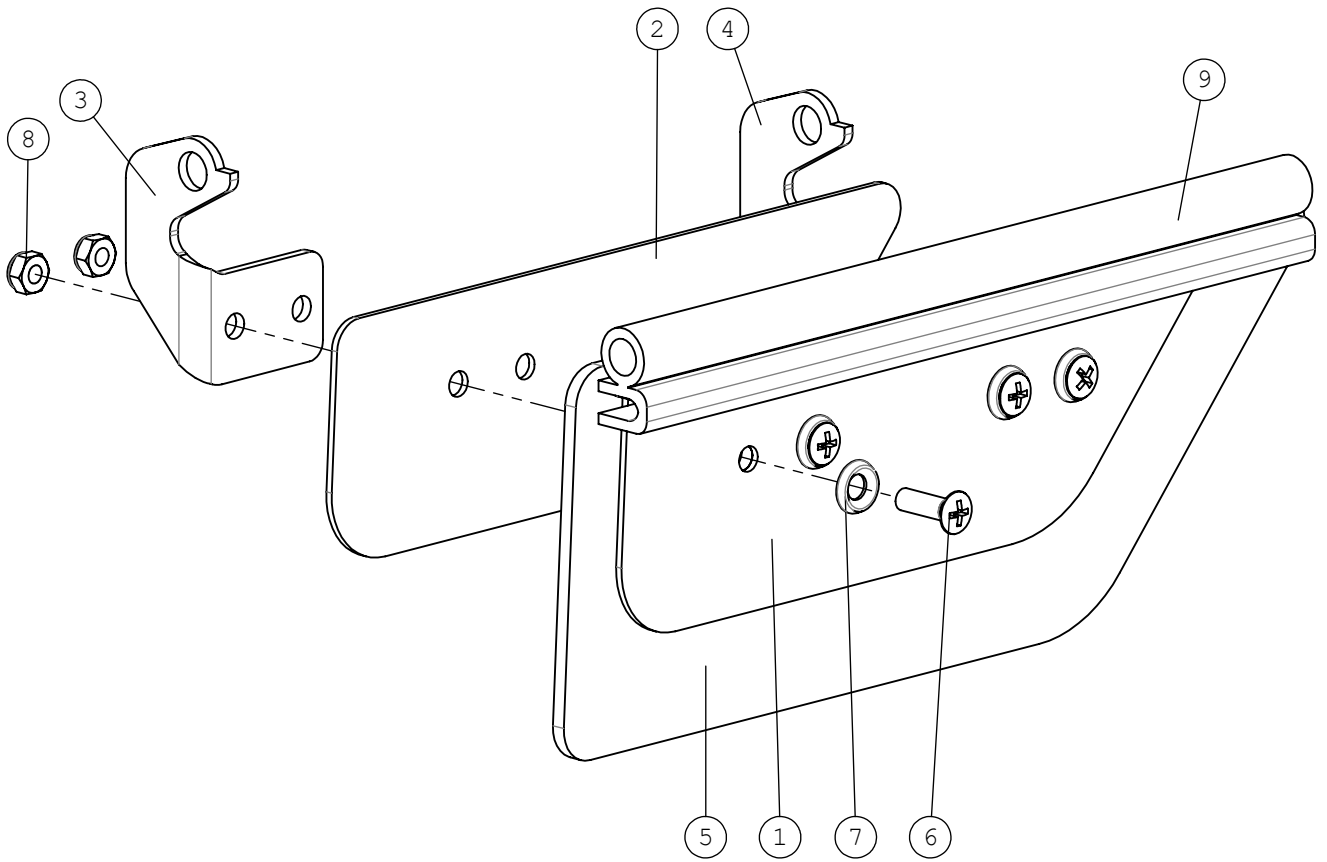
15.6.2023

**A35735 DOOR, COMPLETE, CAB LX A21517**

REF	PART NO	QTY	DESCRIPTION	NOTES	PAGE
1	A411823	1	DOOR PLATE, SAFETY GLASS, CAB DLX & GT		-
2	64981	1	LOCK BODY		-
3	65025	1	HANDLE, DOOR, CAB		-
4	74856	2	O-RING NBR F 20,0 * 5,0 70SH		-
5	A412329	2	BUSHING		-
6	65026	1	SUBPLATE, DOOR HANDLE 20325-01		-
7	A47957	1	PLATE		-
8	A412344	1	COVER PLATE		-
9	A34859	1	FRAME, DOOR, CAB DLX & GT		-
10	65027	1	SUBPLATE, DOOR HANDLE		-
11	A412476	1	ARM, LEFT, SIDE MIRROR		-
12	72324	3	HEXAGONAL NUT M 12 NYLOC DIN 985		-
13	72132	4	HEXAGONAL SCREW M 8*25 DIN 933 ZN		-
14	64985	2	GROMMET F19/13/10,S=5H=11		-
15	A412477	1	SUPPORT PLATE		-
16	A412478	2	RUBBER PLATE		-
17	72320	2	HEXAGONAL NUT M8 NYLOC DIN 985		-
18	73100	2	HEXAGONAL HEAD SCREW M8*30 DIN 912 2		-
19	64975	1	SIDE MIRROR CONVEX GLASS 260*166MM		-
20	65539	1	GROMMET F27/21/16		-
21	A415358	1	WEATHER STRIP, DOOR, CAB LX/DLX		-
22	A414537	1	HINGE, LOWER, DOOR, CAB		-
23	A412327	4	RUBBER WASHER		-
24	73322	2	HEXAGONAL SCREW M12*40 DIN 931		-
25	A434225	1	DOOR, LOWER PART CAB LX/DLX		150

15.6.2023

# A434225 DOOR, LOWER PART CAB LX/DLX



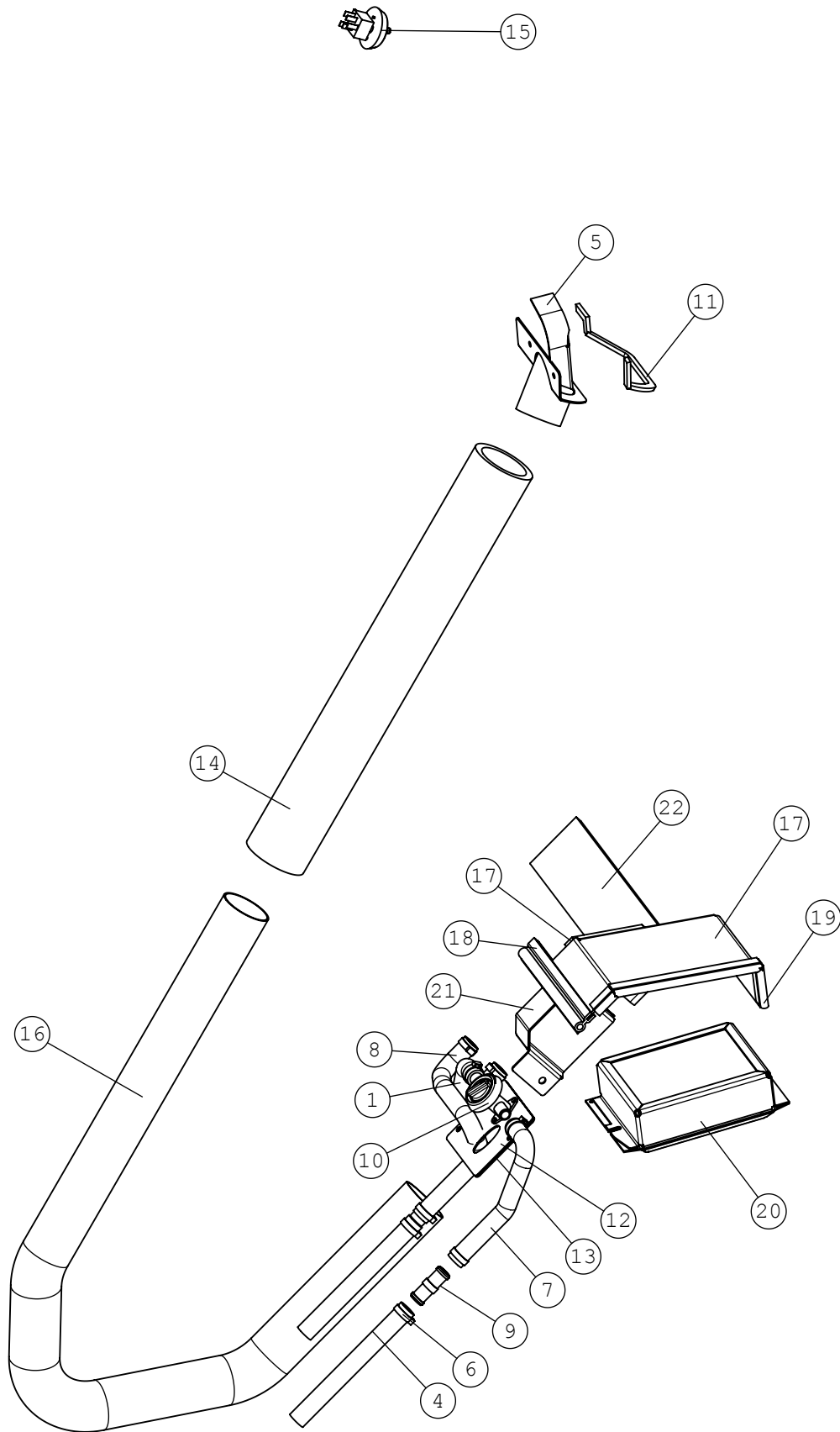
15.6.2023

**A434225 DOOR, LOWER PART CAB LX/DLX**

REF	PART NO	QTY	DESCRIPTION	NOTES	PAGE
1	A411828	1	SUPPORT PLATE, OUTSIDE		-
2	A411832	1	SUPPORT PLATE		-
3	A411834	1	HINGE, RIGHT		-
4	A411835	1	HINGE, LEFT		-
5	A411836	1	RUBBER PLATE, LOWER, CAB DOOR		-
6	74767	4	RAISED COUNTERSUNK HEAD SCREW M6*20		-
7	74768	4	WASHER CONICAL M6		-
8	72318	4	HEXAGONAL NUT M 6 DIN 985 NYLOC		-
9	A434221	1	WEATHER STRIP DOOR CAB L=250		-

15.6.2023

# A21706 HEATER UNIT, COMPLETE, CAB DLX





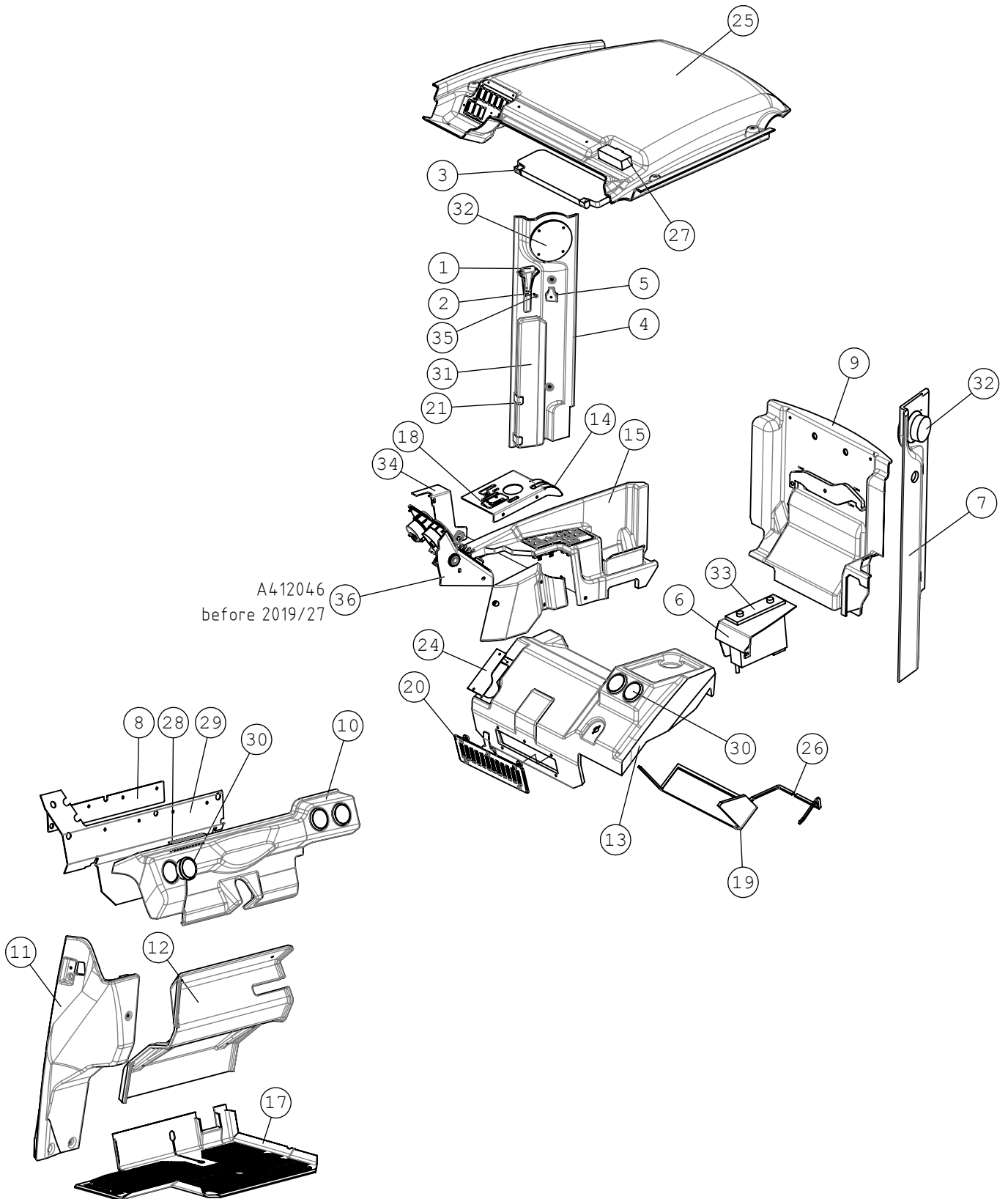
15.6.2023

**A21706 HEATER UNIT, COMPLETE, CAB DLX**

REF	PART NO	QTY	DESCRIPTION	NOTES	PAGE
1	A412438	1	HOSE, LOWER		-
2	A34854	1	WIRE HARNESS, HEATER, CAB		-
3	A412500	1	DECAL, CONTROL LEVERS		-
4	A413221	2	HOSE, HEATER, CAB		-
5	A413370	1	AIR NOZZLE, CAB DLX		-
6	65530	8	PIPE CLAMP KALORI		-
7	A412437	1	HOSE, UPPER, HEATER, CAB DLX		-
8	A413939	1	HOSE, UPPER, CAB DLX		-
9	65558	2	PIPE CONNECTOR		-
10	65514	1	THERMOSTAT, HEATER, CAB		-
11	A416334	1	WEATHER STRIP, DASHBOARD, CAB		-
12	A414871	1	RUBBER PLATE, AIR INTAKE, CAB		-
13	A414875	1	SUPPORT PLATE, AIR INTAKE, CAB LX/DLX		-
14	A416219	1	HEAT ISOLATOR, TUBE, HEATER CAB DLX		-
15	65513	1	ROTARY SWITCH, FAN, CAB		-
16	A411776	1	PIPE, HEATER		-
17	A414274	1	LID		-
18	A413846	1	WEATHER STRIP, AIR HOSE, CAB DLX		-
19	A415020	1	WEATHER STRIP, CAB LX/DLX		-
20	A411787	1	AIR FILTER, CAB, COMPLETE		-
21	A414271	1	BOX, AIR INTAKE		-
22	A413310	1	INSULATION, HEATER		-
23	A413844	1	WEATHER STRIP, FAN, CAB DLX		-

15.6.2023

# A21705 UPHOLSTERY, COMPLETE, CAB DLX



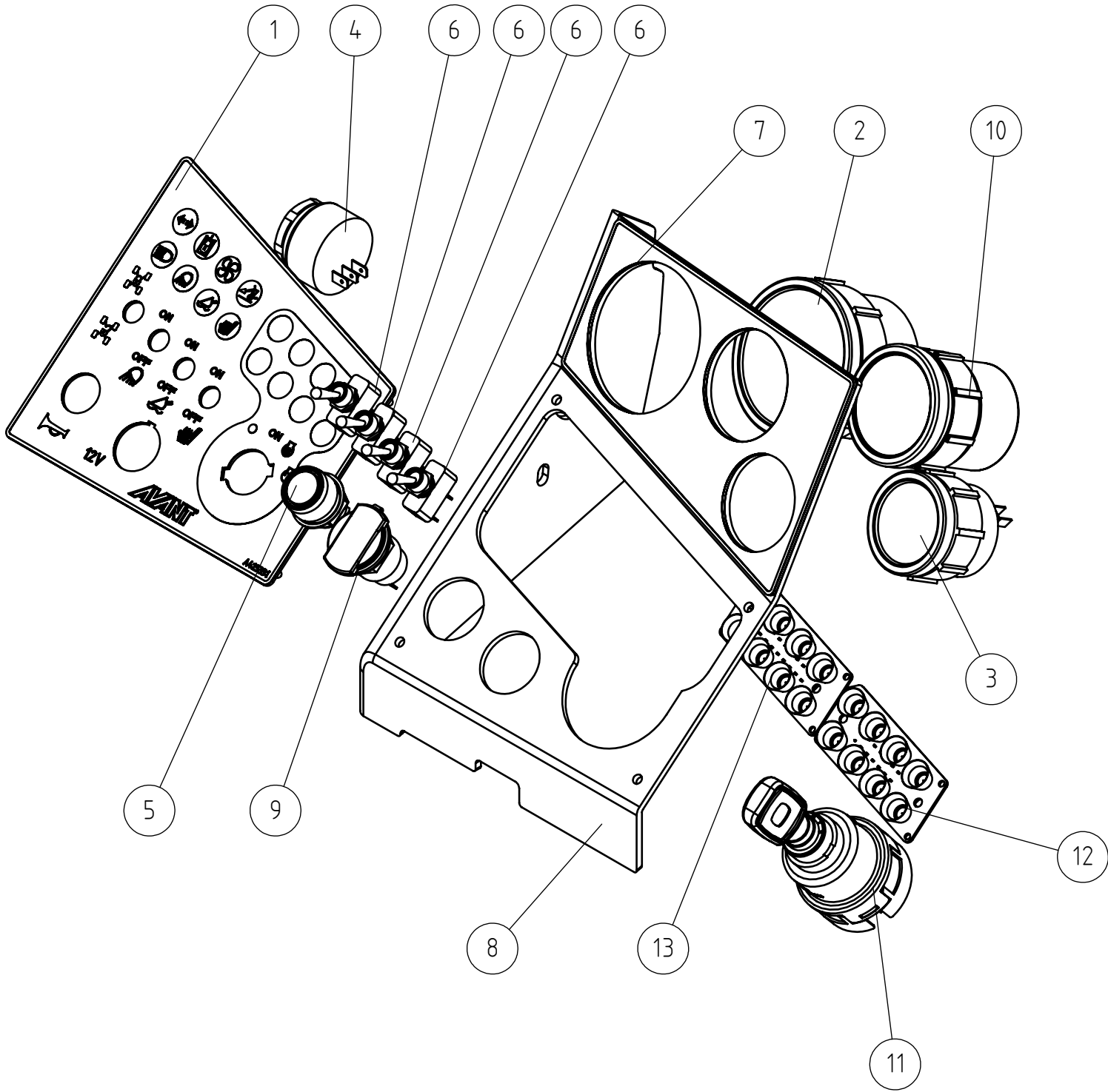
15.6.2023

**A21705 UPHOLSTERY, COMPLETE, CAB DLX**

REF	PART NO	QTY	DESCRIPTION	NOTES	PAGE
1	64986	1	EMERGENCY HAMMER HAPPICH RED		-
2	A432729	1	BRACKET, EMERGENCY HAMMER 64986		-
3	64990	1	SUN VISOR HAPPICH GREY		-
4	A412112	1	UPHOLSTERY PANEL, COLUMN RIGHT		-
5	65035	1	COAT HOOK, PLASTIC, BLACK		-
6	A411845	1	BOX, RADIO		-
7	A412227	1	UPHOLSTERY PANEL, COLUMN LEFT		-
8	A412275	1	STRIP		-
9	A411778	1	UPHOLSTERY PLATE, REAR WALL, CAB DLX		-
10	A412035	1	UPHOLSTERY PLATE, INSTRUMENT PANEL, CAB		-
11	A411687	1	UPHOLSTERY PLATE, LEFT SIDE, CAB DLX		-
12	A412358	1	UPHOLSTERY PLATE, FOOTWELL, CAB DLX		-
13	A411726	1	UPHOLSTERY PANEL, HEATER, CAB DLX		-
14	A412471	1	COVER PLATE, CONTROL LEVERS, CAB DLX		-
15	A412938	1	CONTROL SWITCH PANEL		-
16	A412500	1	DECAL, CONTROL LEVERS		-
17	A413222	1	FLOOR MAT		-
18	A413249	1	LOCKING PLATE, CONTROL LEVER		-
19	A413310	1	INSULATION, HEATER		-
20	A413430	1	GRILL, AIR CIRCULATION, CAB DLX		-
21	A413520	1	MOUNTING BRACKET WARNING TRIANGLE CAB		-
22	A413883	1	DECAL, WINDSCREEN WASHER TANK		-
23	A413760	1	DECAL FOPS/ROPS		-
24	A415043	1	PANEL PLATE CAB DLX		-
25	A35560	1	INNER CEILING, ASSEMBLY, CAB DLX		-
26	A415017	1	WEATHER STRIP, HEATER, CAB		-
27	65654	1	INTERIOR LAMP 12V 10W, CAB DLX		-
28	A413347	1	GRATING		-
29	A413147	1	RUBBER PLATE, CAB DLX		-
30	64994	5	NOZZLE, AIR FLOW, CAB		-
31	65037	1	WARNING TRIANGLE SLOW MOVING VEHICLE		-
32	64996	2	LOUDSPEAKER 2 WAY 80W		-
33	64995	1	RADIO RDS 12V/4*35W VDO TR114		-
34	A412208	1	SIDE PLATE		-
35	A431729	2	PAN HEAD MACHINE SCREW M3,9*19		-
36	A423600	1	DASHBOARD CAB DLX ASSEMBLY		156

15.6.2023

# A423600 DASHBOARD CAB DLX ASSEMBLY



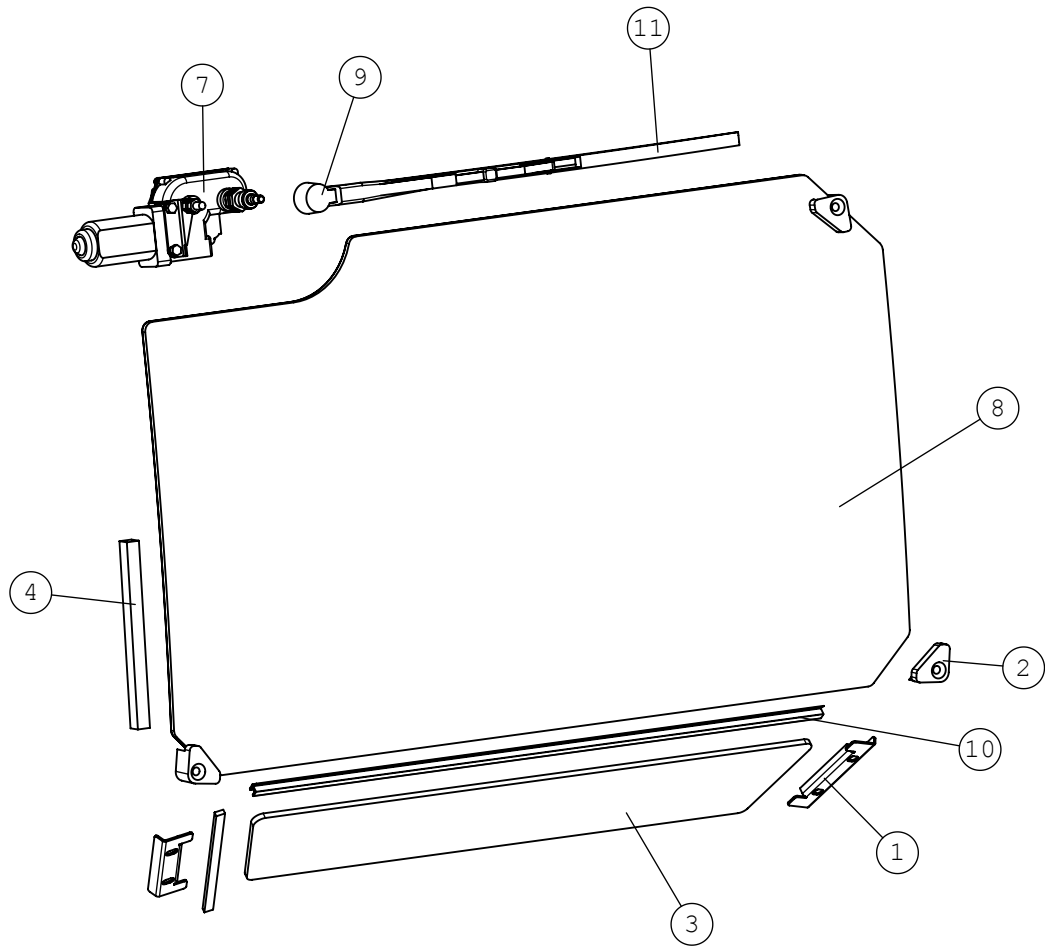
15.6.2023

**A423600 DASHBOARD CAB DLX ASSEMBLY**

REF	PART NO	QTY	DESCRIPTION	NOTES	PAGE
1	A425330	1	PANEL WITH DECAL INDICATORS CAB DLX		-
2	65123	1	HOUR METER/TACHOMETER 500/600 SERIES		-
3	65122	1	FUEL GAUGE		-
4	A440326	1	ALARM BEEPER D28,5/D45 -H47		-
5	64074	1	PUSH BUTTON F22,5 SIGNAL HORN		-
6	64602	4	ROCKER SWITCH ON-OFF 2-POLE 250VAC/10A		-
7	A423598	1	MOUNTING PLATE INDICATORS&GAUGES WITH OI		-
8	A423601	1	COVER PLATE INSTRUMENT PANEL, CAB DLX		-
9	A436424	1	OUTLET 12V/20A WITH COVER		-
10	A430775	1	THERMOMETER WATER/HYDRAULIC OIL		-
11	66156	1	IGNITION SWITCH 12V/30A/60A IP65 COBO		-
11.1	64214	1	IGNITION KEY		-
12	A425304	1	INDICATOR LIGHTS DIESEL ENGINE KOHLER		-
13	A425315	1	INDICATOR LIGHTS E SERIES		-

15.6.2023

# A21707 WINDSCREEN ASSEMBLY, CAB DLX



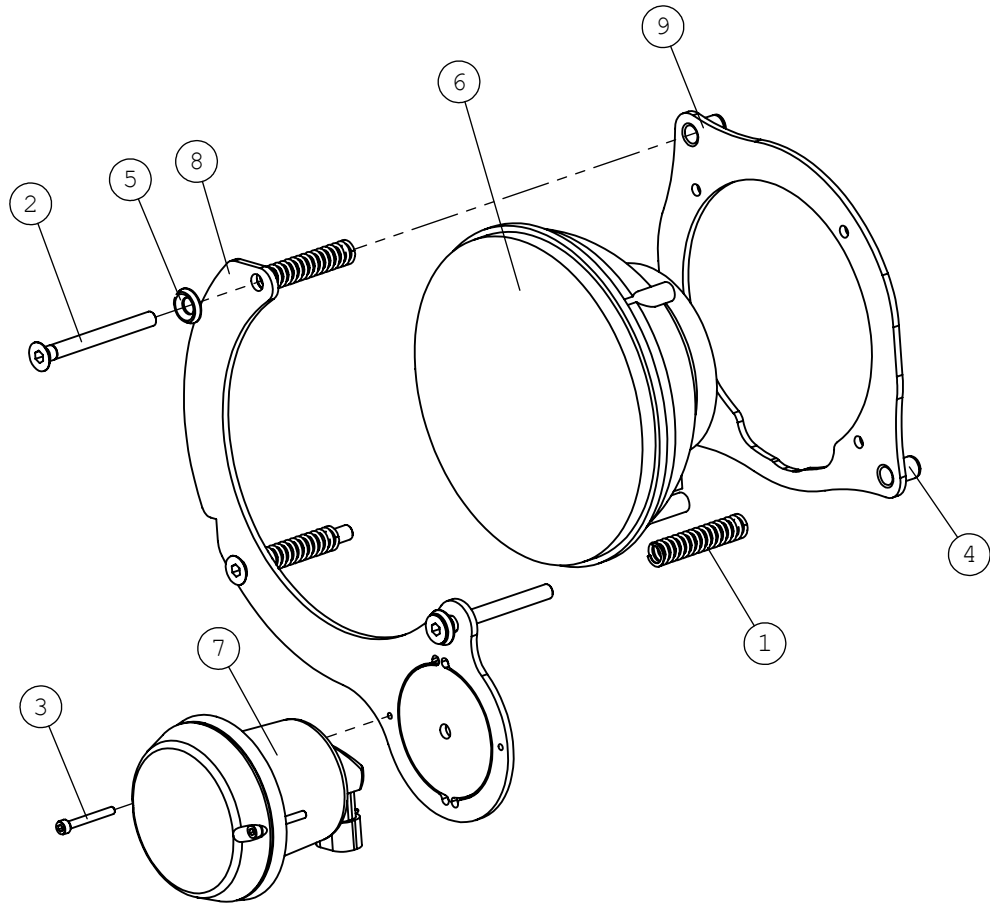
15.6.2023

**A21707 WINDSCREEN ASSEMBLY, CAB DLX**

REF	PART NO	QTY	DESCRIPTION	NOTES	PAGE
1	A412150	2	MOUNTING STRIP		-
2	A412362	3	BRACKET, WINDSCREEN		-
3	A411664	1	WINDOW, FRONT, SMALL, CAB DLX		-
4	A413839	1	WEATHER STRIP, WINDSCREEN, CAB DLX		-
5	A413848	1	WEATHER STRIP, WINDSCREEN SMALL, CAB DLX		-
6	74525	1	WASHER M8 8,4*20*1,25 ZN		-
7	65656	1	ELECTRIC MOTOR, WINDSCREEN WIPER		-
8	A414401	1	WINDSCREEN, CAB		-
9	65657	1	ARM, WINDSCREEN WIPER		-
10	A415503	1	WEATHER STRIP, WINDSCREENS, CAB LX/DLX		-
11	64573	1	WIPER BLADE		-

15.6.2023

# A421890 HEADLIGHTS, ROAD TRAFFIC KIT CAB DLX





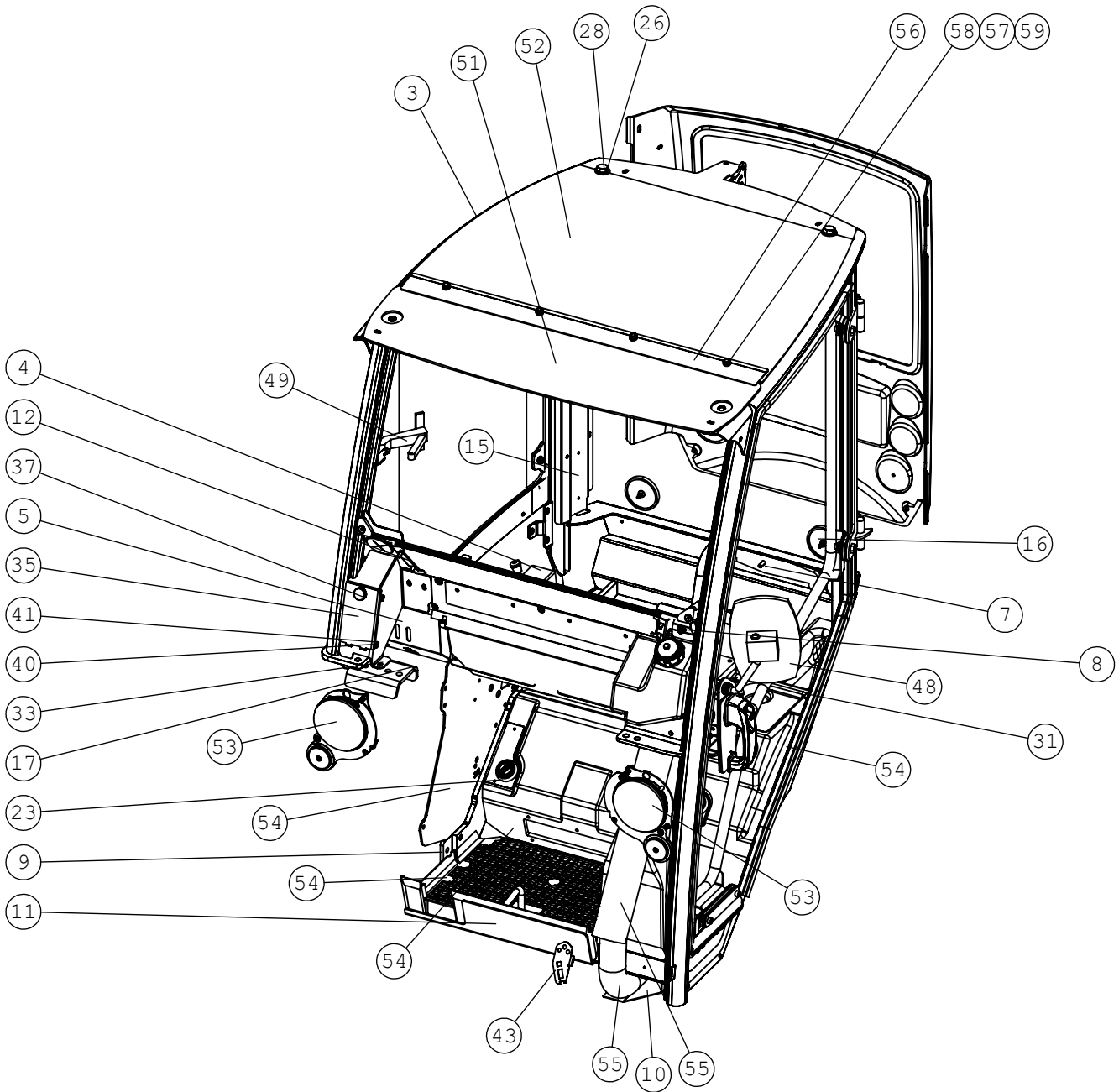
15.6.2023

**A421890 HEADLIGHTS, ROAD TRAFFIC KIT CAB DLX**

REF	PART NO	QTY	DESCRIPTION	NOTES	PAGE
1	66464	6	COMPRESSION SPRING 1,5*7*45 N=16,9		-
2	75139	6	COUNTERSUNK HEAD SCREW M6*60 DIN 7991		-
3	75138	4	HEXAGONAL HEAD SCREW M3*25 DIN912 2		-
4	74703	6	RIVET NUT M6 SUNK HEAD		-
5	74768	4	WASHER CONICAL M6		-
6	65484	2	HEADLIGHT/POSITION LIGHT		-
7	64849	2	BLINKER		-
8	A421888	2	MOUNTING BRACKET, HEADLIGHT		-
9	A421895	2	ADJUSTMENT PLATE		-
10	A418904	1	ELECTRIC HARNESS ADAPTOR CAB DLX		-

15.6.2023

# A21517 CAB LX



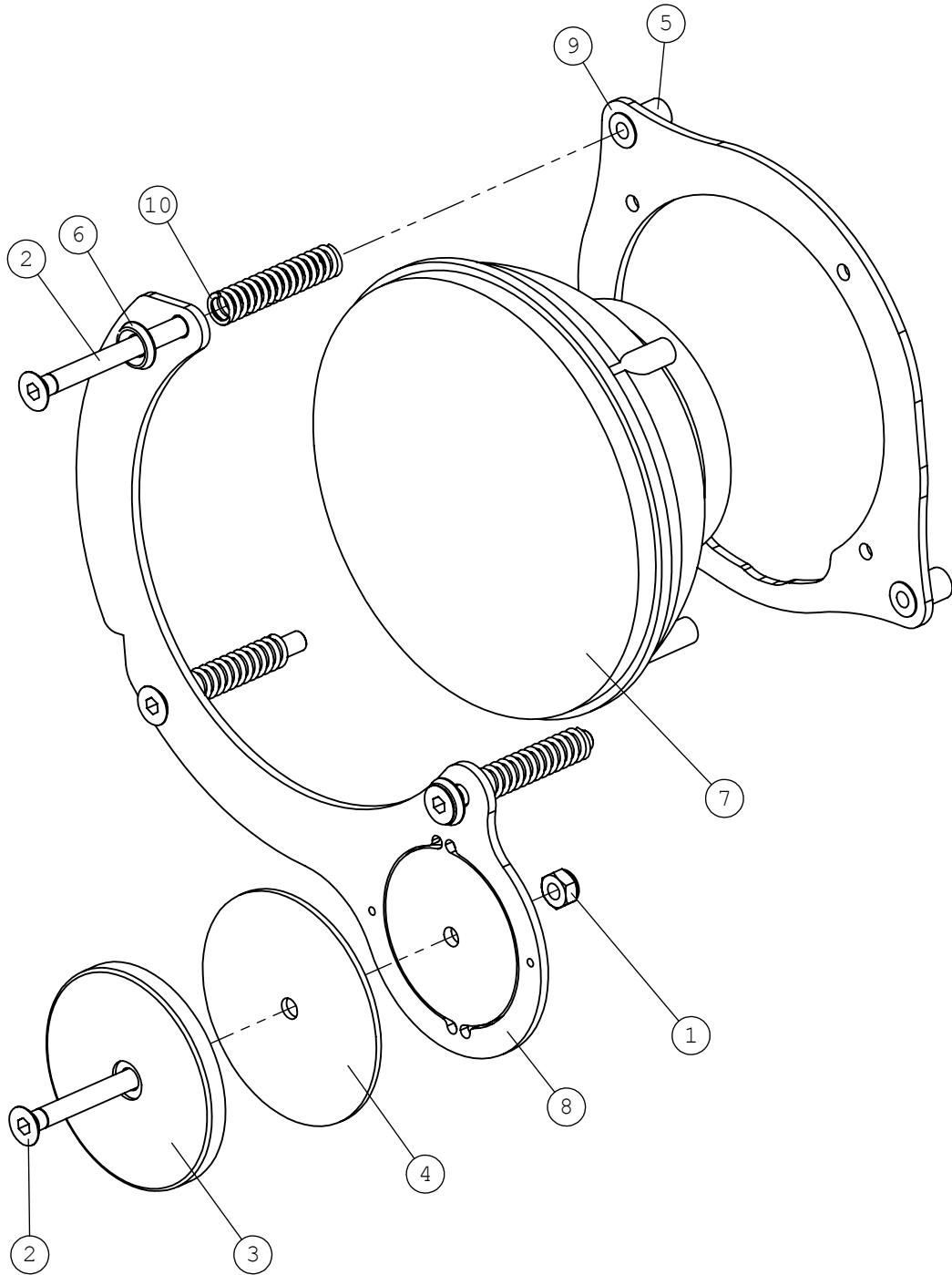
15.6.2023

**A21517 CAB LX**

REF	PART NO	QTY	DESCRIPTION	NOTES	PAGE
1	A21513	1	FRAME, CAB LX		-
2	A414271	1	BOX, AIR INTAKE		-
3	A414278	1	WINDSCREEN, COMPLETE, CAB		-
4	A412208	1	SIDE PLATE		-
5	A412247	1	COVER PLATE		-
6	A411777	1	SEAT BASE		-
7	A47248	1	FRAME LOCK		-
8	A412488	1	TANK, COMPLETE, WINDSCREEN WASHER		146
9	A412322	1	PLATE		-
10	A411862	1	COVER PLATE		-
11	A412482	1	FLOOR PLATE, CAB DLX		-
12	A414284	1	WINDSCREEN, LOWER, COMPL., CAB LX		-
13	64979	1	PIN, DOOR LOCK		-
14	64980	1	GUIDE PLATE, LOCK		-
15	A414285	1	EDGE STRIP, CAB LX		-
16	A414287	1	REAR WINDOW, COMPLETE, CAB LX A21517		-
17	A411645	1	BRACKET		-
18	64853	1	SEAT, WITH SUSPENSION & HEATER SEAT FSP9		-
18.1	64816	1	ARMRESTS, PAIR, SUSPENSION SEAT ACC980		-
19	65578	1	HEATER KALORI		-
20	65530	4	PIPE CLAMP KALORI		-
21	A413221	2	HOSE, HEATER, CAB		-
22	65558	2	PIPE CONNECTOR		-
23	65513	1	ROTARY SWITCH, FAN, CAB		-
24	64994	5	NOZZLE, AIR FLOW, CAB		-
25	A410681	1	GROMMET		-
26	72232	2	HEXAGONAL SCREW M16*30 DIN 933		-
27	72329	2	HEXAGONAL NUT M 16 DIN 934		-
28	A414522	2	WASHER, RUBBER, CAB LX		-
29	A414813	1	STRIP, CAB LX		-
30	A47756	1	ANGLE BRACKET 90°		-
31	A414866	1	SUPPORT PLATE, HEATER, CAB LX		-
32	A35404	1	WIRE HARNESS, CAB L/LX		-
33	A414827	1	BOX, FUSE BOX, CAB LX		-
34	A414828	1	MOUNTING PLATE, FUSE BOX, CAB LX		-
35	A414830	1	LID, FUSE COMPARTMENT, CAB LX/DLX		-
36	74807	1	SPEED NUT M6, FOR 0.5-4.0 MM PLATE		-
37	64941	1	FINGER SCREW M6*20 R3015RM620S		-
38	A35546	1	DECALS, FUSE BOX CAB LX/DLX		-
39	72318	2	HEXAGONAL NUT M 6 DIN 985 NYLOC		-
40	74767	2	RAISED COUNTERSUNK HEAD SCREW M6*20		-
41	74768	2	WASHER CONICAL M6		-
42	A413846	1	WEATHER STRIP, AIR HOSE, CAB DLX		-
43	A415022	1	BRACKET, SPRING, CAB		-
44	A414875	1	SUPPORT PLATE, AIR INTAKE, CAB LX/DLX		-
45	A414897	1	COVER, ELECTRIC MOTOR WINDSCREEN WIPER		-
46	A415648	1	WEATHER STRIP, REAR WINDOW, CAB LX		-
47	64865	1	GROMMET F18/12/9,51-3		-
48	A35735	1	DOOR, COMPLETE, CAB LX A21517		148
49	A415801	1	WINDOW COMPL. RIGHT SIDE, CAB LX A21517		-
50	A416357	1	IDENTIFICATION PLATE ROPS A21513 39*90		-
51	A414297	1	CLEAR VISOR-LX CAB ROOF		-
52	A414291	1	FOPS CANOPY, CAB LX		-
53	A423029	1	FRONT LIGHTS ASSEMBLY CAB LX		164
54	A21738	1	UPHOLSTERY, COMPLETE, CAB LX		166
55	A21706	1	HEATER UNIT, COMPLETE, CAB DLX		152
56	A414298	1			-
57	A416945	4	WASHER RUBBER M8		-
58	A429202	4	HEXAGONAL SERRATED SCREW M8*25 WITH FLAN		-
59	A450046	4	HEXAGONAL NUT M8 WITH FLANGE		-

15.6.2023

# A423029 FRONT LIGHTS ASSEMBLY CAB LX



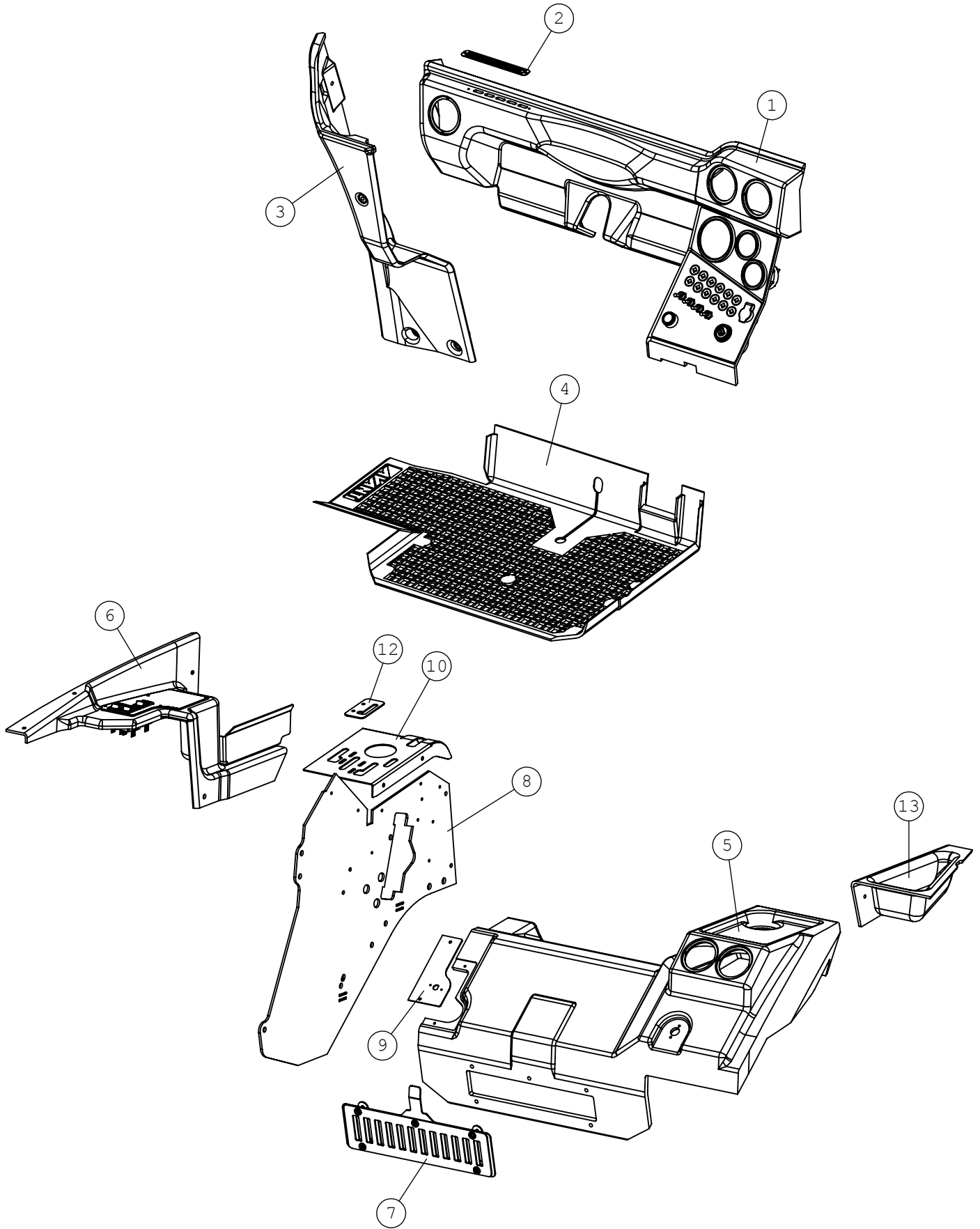
15.6.2023

**A423029 FRONT LIGHTS ASSEMBLY CAB LX**

REF	PART NO	QTY	DESCRIPTION	NOTES	PAGE
1	72318	2	HEXAGONAL NUT M 6 DIN 985 NYLOC		-
2	75139	8	COUNTERSUNK HEAD SCREW M6*60 DIN 7991		-
3	65660	2	REFLECTOR WHITE ROUND		-
4	A423033	2	MOUNTING PLATE REFLECTOR		-
5	74703	6	RIVET NUT M6 SUNK HEAD		-
6	74768	4	WASHER CONICAL M6		-
7	65484	2	HEADLIGHT/POSITION LIGHT		-
8	A421888	2	MOUNTING BRACKET, HEADLIGHT		-
9	A421895	2	ADJUSTMENT PLATE		-
10	66464	6	COMPRESSION SPRING 1,5*7*45 N=16,9		-

15.6.2023

# A21738 UPHOLSTERY, COMPLETE, CAB LX



15.6.2023

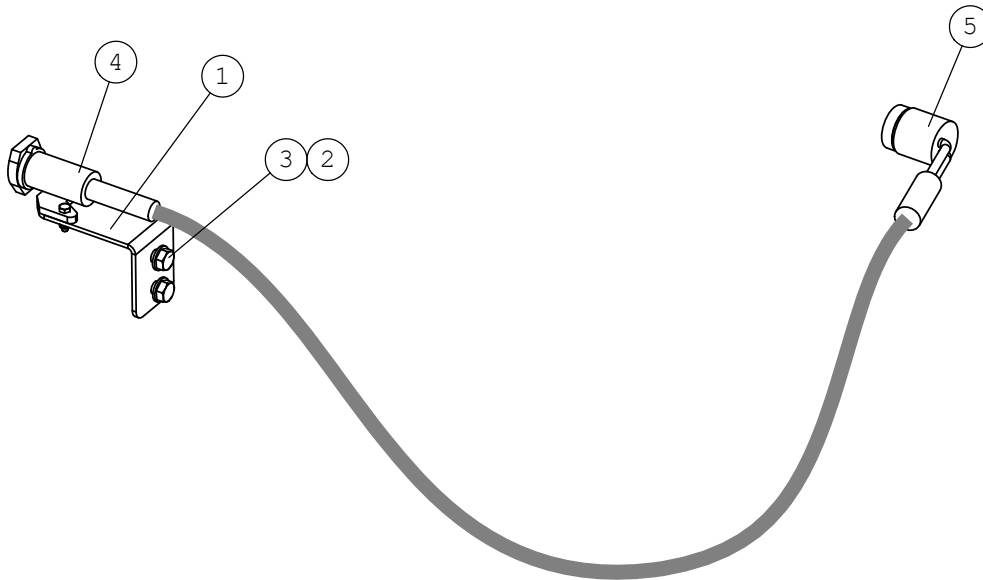
**A21738 UPHOLSTERY, COMPLETE, CAB LX**

REF	PART NO	QTY	DESCRIPTION	NOTES	PAGE
1	A412035	1	UPHOLSTERY PLATE, INSTRUMENT PANEL, CAB		-
2	A413347	1	GRATING		-
3	A411687	1	UPHOLSTERY PLATE, LEFT SIDE, CAB DLX		-
4	A413222	1	FLOOR MAT		-
5	A411726	1	UPHOLSTERY PANEL, HEATER, CAB DLX		-
6	A414279	1	DASHBOARD, COMPLETE, CAB LX A21517		-
7	A413430	1	GRILL, AIR CIRCULATION, CAB DLX		-
8	A412181	1	SIDE PLATE, CAB LX/DLX		-
9	A412178	1	PANEL		-
10	A412471	1	COVER PLATE, CONTROL LEVERS, CAB DLX		-
11	A412046	1	DASHBOARD, CAB DLX		-
12	A413249	1	LOCKING PLATE, CONTROL LEVER		-
13	A416782	1	GLOVE BOX, CAB LX		-

15.6.2023

---

# A425277 ENGINE BLOCK HEATER, KIT, 423/523





15.6.2023

**A425277 ENGINE BLOCK HEATER, KIT, 423/523**

REF	PART NO	QTY	DESCRIPTION	NOTES	PAGE
1	A423523	1	MOUNTING BRACKET, SOCKET ENGINE HEATER		-
2	73122	4	WASHER M8 A8,4 DIN 125 ZN		-
3	72130	2	HEXAGONAL SCREW M8*20		-
4	64470	1	CONNECTING LEAD DEFA 460992 BLOCK HEATER		-
5	65727	1	HEATER ELEMENT 300W, ENGINE BLOCK HEATER		-
6	73458	2	HEX. SCREW M4*16 DIN 933 ZN		-
7	72313	2	HEXAGONAL NUT M4 DIN 985 NYLOC		-
8	72319	2	HEXAGONAL NUT M8 DIN 934		-
9	65171	1	CONNECTING CABLE 2,5 M ENGINE BLOCK HEAT		-

# AVANT®

## Varaosat Spare parts

Manufacturer:

**AVANT**®

AVANT TECNO OY

e-mail: [sales@avanttecho.com](mailto:sales@avanttecho.com)

Ylötie 1

33470 Ylöjärvi

FINLAND

Tel. +358 3 347 8800

Fax +358 3 348 5511